



Centra Linear Valve

VDE...M/VXE...M

2-Way and 3-Way Small Linear Valves PN16

Pressure-balanced

APPLICATION

These small linear valves are used in combination with small electric linear valve actuators for the control of hot and/or chilled water for fan coil units, small reheaters/recoolers in electric/electronic temperature control systems.

Because of the pressure-balanced plug, the close-off pressure is equal to the system pressure.

SPECIAL FEATURES

- Pressure-balanced
- Standard external threads for flat sealing connections
- Range of fittings available for different connection types
- Adjustment cap for manual operation
- Easy mounting of actuator via standard M30 x 1,5 screw connection



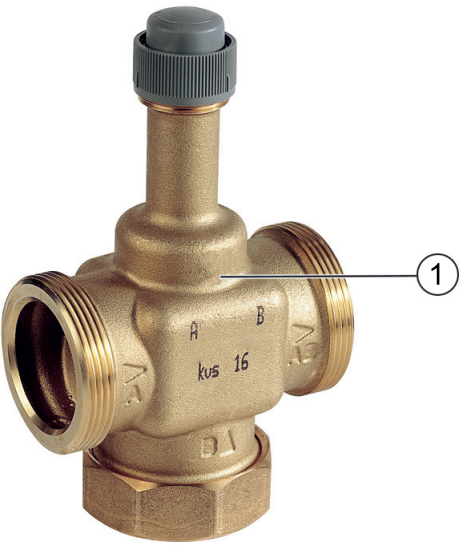
VDE

VXE

TECHNICAL DATA

Media	
Medium:	Water with max. 50 % glycol according to VDI 2035
Operating temperature	
DN25 - DN40:	2...130 °C
Connection/Sizes	
Valve size:	DN25 - DN40
Actuator:	M30 x 1.5 mm
Specifications	
Model:	2-way valve: VDE 3-way valve: VXE
Action:	Stem up to close port A-AB
Stroke:	6.5 mm
Rangeability:	50:1
Nominal pressure rating:	PN 16
Leakage rate:	≤ 0.05 % of kvs
Flow Characteristics:	Linear for port A-AB Linear for port B-AB

CONSTRUCTION

Overview	Components	Materials
	1 Valve body	Brass resistant to dezincification
	Not depicted components:	
	Stem	Stainless steel
	Plug	Brass, EPDM seals

METHOD OF OPERATION

All types of valves should be mounted in the return flow. If the Δp -values exceed 60 kPa, attention should be paid to the development of noise.

A built-in return spring produces a closing force.

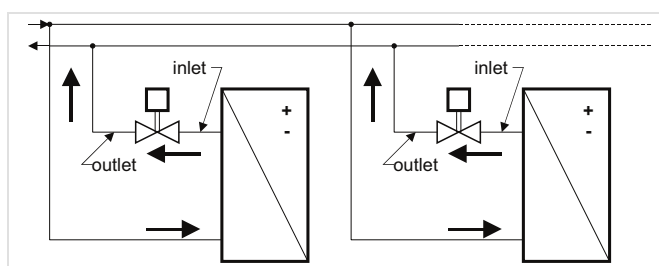
The valves are supplied with an adjustment cap for manual operation and to protect the stem. This allows the stem set up for filling or initial heating/cooling during the building construction phase without the use of a controller or actuator.

The small electric valve actuators provide automatic control during the opening and closing movement of the valve stem.

VDE Valves (2-way valves)

Direction of flow always from port A to port AB

Port AB: Outlet



INSTALLATION GUIDELINES

Mounting

When installing the valve care must be taken that the flow direction is correct (see chapter Method of Operation). The valve must not be mounted with the stem pointing downwards.

The adjustment cap must be removed from the valve only when the actuator is fitted. The valve should be installed as stress-free as possible with a tightening torque of 25 to 30 Nm.

The valve is supplied complete with mounting instructions.

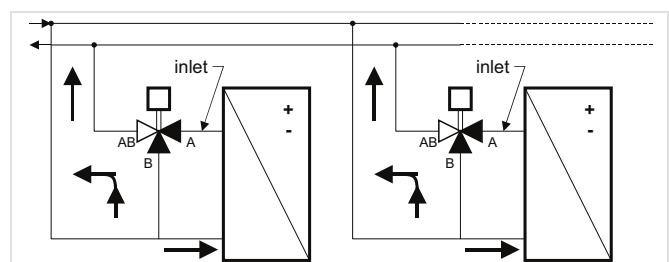
VXE Valves (3-way valves)

These valves are preferably used as mixing valves, this means:

Port AB: Total flow outlet

Port A: Controlled flow inlet

Port B: Bypass inlet



TECHNICAL CHARACTERISTICS

Close off pressure ratings in kPa

VDE Valves (2-way valves)

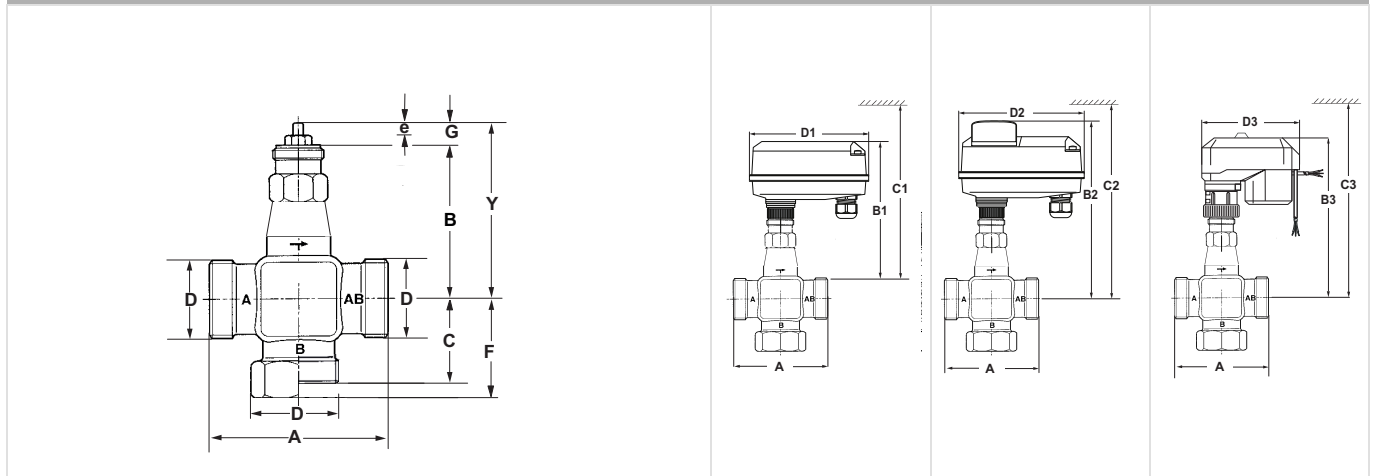
Actuator		Valve Size		
Model	Force	DN25	DN32	DN40
M6410C M6410L M7410C M7410E	300 N	1600 kPa	1200 kPa	1000 kPa
ML6435B ML7430E ML7435E	400 N	1600 kPa	1200 kPa	1000 kPa

VXE Valves (3-way valves)

Actuator		Valve Size		
Model	Force	DN25	DN32	DN40
M6410C M6410L M7410C M7410E	300 N	600 kPa	300 kPa	-
ML6435B ML7430E ML7435E	400 N	1600 kPa	1200 kPa	1000 kPa

DIMENSIONS

Overview



DN	D	A	B	C	F	G	Adjustment dimension (Valve in closed position)	Stroke	ML7435E ML6435B			ML7430E			M6410C M6410L M7410C M7410E		
							Y		e	B1	C1	D1	B2	C2	D2	B3	C3
25	G 1 1/2"	105	92	53	62	18	200	6.5	173	253	126	189	269	126	179	259	109
32	G 2"	105	92	53	62				173	253	126	189	269	126	179	259	109
40	G 2 1/4"	130	98	65	77				179	259	126	195	275	126	185	265	109

Note: All dimensions in mm unless stated otherwise.

ORDERING INFORMATION

The following tables contain all the information you need to make an order of an item of your choice. When ordering, please always state the type, the ordering or the part number.

Naming key linear valves

VD	E	25	B	4.0	M
Type of valve	Type of thread	DN	PN	k_{VS} -value	Special (optional)
VD = 2-way small linear valve	E = External	25	B = 16	4.0	M = Modulating
VX = 3-way small linear valve		32		6.3	FS = Flat Sealing
		40		10	
				16	
				25	

VDE 2-way small linear valves, flat sealing

DN	Connection	k_{VS} -value	Nominal pressure	Description	OS-No.
25	External thread	4.0	PN16	2-way small linear valve, external thread, DN25, PN16, k_{VS} 4.0, mod	VDE25B4.0M
25		6.3	PN16	2-way small linear valve, external thread, DN25, PN16, k_{VS} 6.3, mod	VDE25B6.3M
25		10	PN16	2-way small linear valve, external thread, DN25, PN16, k_{VS} 10, mod	VDE25B10M
32		16	PN16	2-way small linear valve, external thread, DN32, PN16, k_{VS} 16, mod	VDE32B16M
40		25	PN16	2-way small linear valve, external thread, DN40, PN16, k_{VS} 25, mod	VDE40B25M

VXE 3-way small linear valves, flat sealing

DN	Connection	k_{VS} -value	Nominal pressure	Description	OS-No.
25	External thread	4.0	PN16	3-way small linear valve, external thread, DN25, PN16, k_{VS} 4.0, mod	VXE25B4.0MFS
25		6.3	PN16	3-way small linear valve, external thread, DN25, PN16, k_{VS} 6.3, mod	VXE25B6.3MFS
25		10	PN16	3-way small linear valve, external thread, DN25, PN16, k_{VS} 10, mod	VXE25B10MFS
32		16	PN16	3-way small linear valve, external thread, DN32, PN16, k_{VS} 16, mod	VXE32B16MFS
40		25	PN16	3-way small linear valve, external thread, DN40, PN16, k_{VS} 25, mod	VXE40B25MFS

Accessories


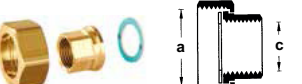
Overview associated actuators

Valve stroke	Control signal	
	3-point (230 V AC or 24 V AC power supply)	0...10 V (24 V AC power supply)
6.5 mm	M6410C M6410L M7410C ML6435B	M7410E ML7430E ML7435E

	Description	Power Supply	Part No.
	M7410C Actuator: 3-point / floating 6.5 mm stroke, 300 N	24 V AC	M7410C1015
	M6410 Actuator: 3-point / floating 6.5 mm stroke, 300 N, manual override	24 V AC	M6410C2031
	6.5 mm stroke, 300 N, manual override, 2 auxiliary switches		M6410C4037
	6.5 mm stroke, 300 N, manual override	230 V AC	M6410L2031
	6.5 mm stroke, 300 N, manual override, 2 auxiliary switches		M6410L4037
	M7410E Actuator: modulating 0/2 - 10 V 6.5 mm stroke, 300 N	24 V AC	M7410E1028
	6.5 mm stroke, 300 N, manual override		M7410E2034
	6.5 mm stroke, 300 N, manual override, 2 auxiliary switches		M7410E4030
	ML6435B Actuator: 3-point / floating (spring return) 6.5 mm stroke, 400 N, spring return retract	24 V AC	ML6435B1008
		230 V AC	ML6435B1016
	ML7430E Actuator: modulating 0/2 - 10 V 6.5 mm stroke, 400 N, manual override	24 V AC	ML7430E1005
			
	ML7435E Actuator: modulating 0/2 - 10 V (spring return) 6.5 mm stroke, 400 N, spring return retract	24 V AC	ML7435E1004

Naming key linear valves accessories

ASV	-CS	-25	-O	-F
Accessories for V&A	Range	DN	Fitting type	Sealing type
ASV= Accessories for V&A	CS = Connection set	25 32 40	O = Outer thread I = Inner thread	F = Flat

	ASV-CS-xx-O-F Flat connection set Consisting of one union nut, one tailpiece with external thread and one gasket		
	a = G1 ¹ / ₂ " b = R1"	DN25	ASV-CS-25-O-F
	a = G2" b = R1 ¹ / ₄ "	DN32	ASV-CS-32-O-F
	a = G2 ¹ / ₄ " b = R1 ¹ / ₂ "	DN40	ASV-CS-40-O-F
	ASV-CS-xx-I-F Flat connection set Consisting of one union nut, one tailpiece with internal thread and one gasket		
	a: G1 ¹ / ₂ " c: Rp1"	DN25	ASV-CS-25-I-F
	a: G2" c: Rp1 ¹ / ₄ "	DN32	ASV-CS-32-I-F
	a: G2 ¹ / ₄ " c: Rp1 ¹ / ₂ "	DN40	ASV-CS-40-I-F

Note: The VDE valves need two connection sets, the VXE valves need three connection sets.



Strandvejen 42 ♦ Saksild ♦ 8300 Odder
 86 62 63 64 ♦ www.automatikcentret.dk
info@automatikcentret.dk



Manufactured for
 and on behalf of
 Pittway 3 Sàrl, Z.A., La Pièce 4
 1180 Rolle, Switzerland

For more information
homecomfort.resideo.com/europe
 Ademco 1 GmbH, Hardhofweg 40,
 74821 MOSBACH, GERMANY
 Phone: +49 6261 810
 Fax: +49 6261 81309

This document contains proprietary information of Pittway Sàrl and its affiliated companies and is protected by copyright and other international laws. Reproduction or improper use without specific written authorization of Pittway Sàrl is strictly forbidden.