



# Braukmann TM200

Thermostatic mixing valve  
with scald protection

## APPLICATION

Thermostatic mixing valves provide control of the water temperature and are used:

- For centralised control on hot water supply units or for localised control adjacent to point-use outlets
- In heating systems with underfloor heating or for limiting boiler return temperatures

Where a system includes a hot water circulation circuit, a return flow retarder unit (see accessories) must be fitted to prevent cold water backfeeding and cooling the mixed water at the outlets.

## SPECIAL FEATURES

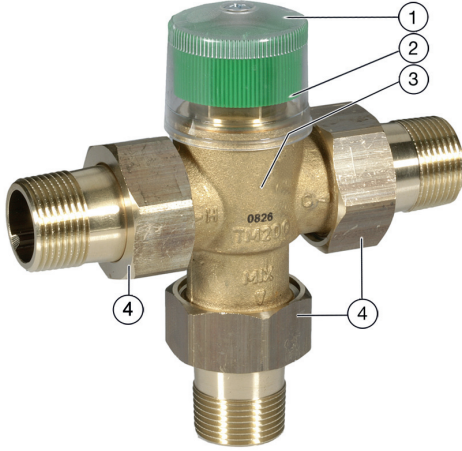
- Highly sensitive thermal element with good all-round water temperature sensing, even at low flow rates
- Scald protection - the hot water inlet is automatically cut off if the cold supply fails provided that the hot water inlet temperature is at least 10 K higher than that of mixed water setting
- The cold water inlet is automatically cut off if the hot supply fails
- Simple setting of the required water temperature
- Options with integrated check valves for cold and hot water inlet available
- Inner components are of scale-resistant materials
- Meets UBA regulations for drinking water



## TECHNICAL DATA

<b>Media</b>	
Medium:	Drinking water
<b>Connections/Sizes</b>	
Connection size:	G <sup>3</sup> / <sub>4</sub> " or Ø22
<b>Pressure values</b>	
Max. operating pressure:	max. 10 bar
Maximum pressure difference between hot and cold inlet supplies:	2.5 bar
<b>Operating temperatures</b>	
Max. hot water inlet temperature:	90 °C
Setting range:	30 - 60 °C
Preset temperature during manufacture:	40 °C
Control accuracy:	<±4 K
<b>Specifications</b>	
Flow rate at 1.0 bar pressure differential across valve:	appr. 27 l/min
Installation position:	Arbitrary

## CONSTRUCTION

Overview	Components	Materials	
	<b>1</b>	Adjustment knob	High-quality synthetic material
	<b>2</b>	Protective cap	Transparent plastics
	<b>3</b>	Housing	Dezincification-resistant brass
	<b>4</b>	Connectors	Brass
	<b>Not depicted components:</b>		
	Adjustment spring	Stainless steel	
	Moving parts	High-quality, scale-resistant synthetic material	
	Thermostat	-	
	Seals	EPDM	

### METHOD OF OPERATION

a) As a mixing valve for hot water supply and heating systems:

The highly sensitive thermal element located in the outlet of the valve controls a plug which regulates the flow proportions of cold and hot water in relation to the mixed hot water setting selected.

Soft seatings are fitted to both hot and cold water inlets. They provide:

- A positive hot inlet shut-off if the cold water supply is interrupted, provided that the hot water inlet temperature is at least 10 K higher than that of the mixed water setting
- The cold water supply is cut off if the hot water supply is interrupted

b) As a diverter valve on central heating systems:

For this application flow through the valve is in the reverse direction compared with its use as a hot water mixing valve. The inlet water passes around the sensing element and regulates the control piston so that for temperatures above the set value the water is returned to the heating circuit and for temperatures lower than the set value the water is diverted to the boiler.

A protective cap is supplied with the valve to lock the mixed temperature setting.

### TRANSPORTATION AND STORAGE

Keep parts in their original packaging and unpack them shortly before use.

The following parameters apply during transportation and storage:

Parameter	Value
Environment:	clean, dry and dust free
Min. ambient temperature:	5 °C
Max. ambient temperature:	55 °C
Min. ambient relative humidity:	25 % *
Max. ambient relative humidity:	85 % *

\*non condensing

### INSTALLATION GUIDELINES

#### Setup requirements

- Install without tension or bending stresses
- Fit a return flow-retarder unit where the hot water supply system includes a circulation circuit
- Observe the flow direction arrow when fitting a return flow-retarder unit
- To prevent the growth of legionella, DVGW-W551 specify that the water volume in the pipework between the mixer valve and the furthest take-off point should not exceed 3 litres. This corresponds to a maximum length of 10 metres for  $3/4"$  (20 mm) pipework and 17 metres for  $1/2"$  (15 mm)
- Requires regular maintenance in accordance with EN 806-5

**Installation Example**

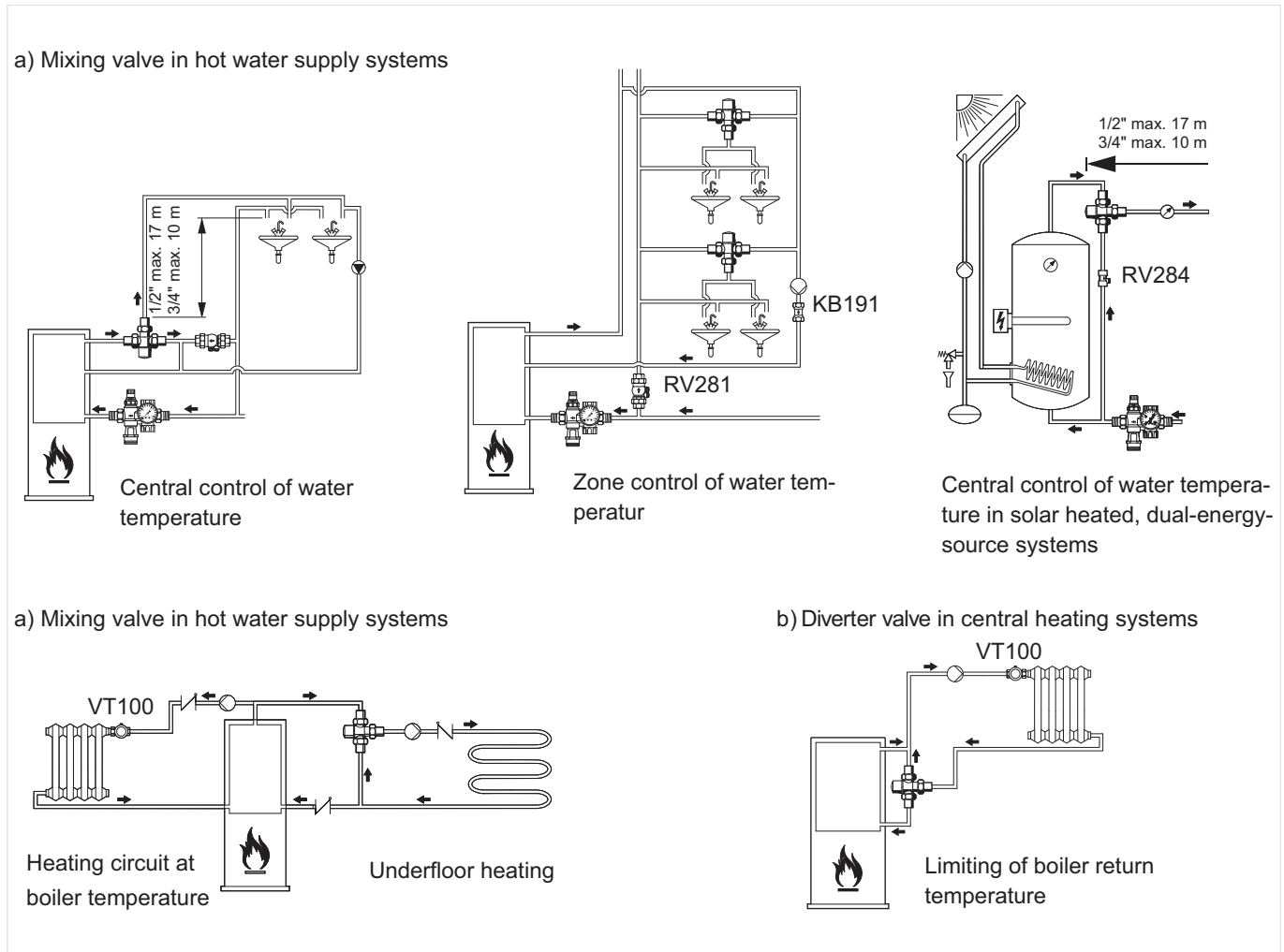
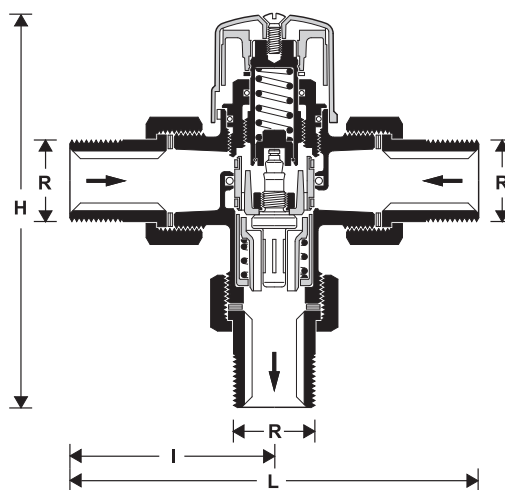


Fig. 1 Standard installation example for the mixing valve

**DIMENSIONS**

**Overview**



Parameter		TM200-3/4A	TM200-3/4B
Connection size:	R	R <sup>3/4</sup> " threaded male	Ø 22 mm
Dimensions:	L	134	122
	I	67	61
	H	128	122

Note: All dimensions in mm unless stated otherwise.

## ORDERING INFORMATION

The following tables contain all the information you need to make an order of an item of your choice. When ordering, please always state the type, the ordering or the part number.


### Options

The valve is available in the following sizes:  $\frac{3}{4}$ ", Ø 22 mm

- standard
- not available

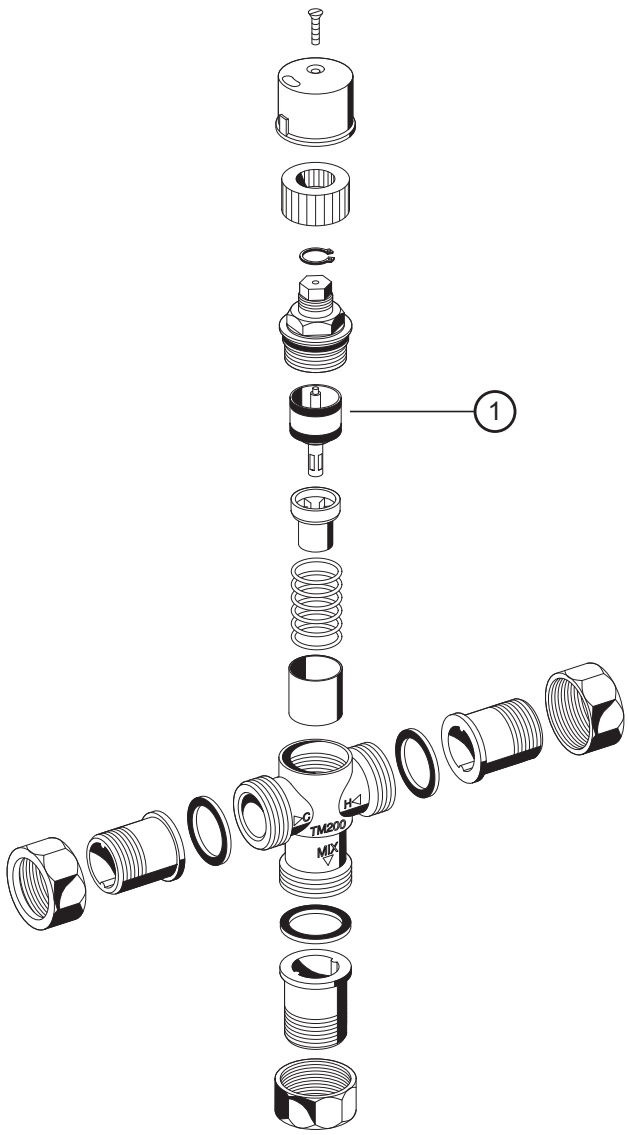
		TM200-3/4A	TM200-3/4B
Version:	with R $\frac{3}{4}$ " threaded male connections	•	–
	with Ø22 mm soldered connections	–	•

### Accessories

	Description	Dimension	Part No.
	<b>KB191 Return flow-retarder unit</b> for fitting to systems which include a hot water circulation circuit - to prevent cold water backfeeding and cooling the mixed water at the outlets. Operating pressure: max. 10 bar Operating temperature: max. 90 °C. Installation orientation: Arrow pointing in flow direction.		
			KB191-3/4

**Spare Parts**

Thermostatic mixing valve TM200, from 1996 onwards

Overview	Description	Dimension	Part No.
	<b>1 Regulation valve complete</b>		
			TM200A-30/60



Manufactured for and on behalf of  
 Pittway Sàrl, Z.A., La Pièce 4,  
 1180 Rolle, Switzerland  
 by its authorised representative  
 Ademco 1 GmbH

For more information  
[homecomfort.resideo.com/europe](http://homecomfort.resideo.com/europe)  
 Ademco 1 GmbH, Hardhofweg 40,  
 74821 MOSBACH, GERMANY  
 Phone: +49 6261 810  
 Fax: +49 6261 81309



Strandvejen 42 • Saksild • 8300 Odder  
 86 62 63 64 • [www.automatikcentret.dk](http://www.automatikcentret.dk)  
[info@automatikcentret.dk](mailto:info@automatikcentret.dk)