

## H6045/6120

### SINGLE-STAGE ROOM & DUCT HYGROSTATS

#### SPECIFICATION DATA AND MOUNTING INSTRUCTIONS



#### GENERAL

The H6045A1002 Single-Stage Duct Hygrostat and the H6120A1000 Single-Stage Room Hygrostat are designed for monitoring relative humidity in air conditioning systems and climatic cabinets as well as for controlling air humidifiers and dehumidifiers for dehumidification control in indoor swimming pools.

Further areas of application include storage rooms for foodstuffs, the textiles industry, paper industry, printing shops, the film industry, greenhouses, hospitals and wherever air humidity levels must be monitored.

- The H6045A1002 Duct Hygrostat is designed in conformance with protection standard IP 65 and protection class I.
- The H6120A1000 Single-Stage Room Hygrostat is designed in conformance with protection standard IP30 and protection class I.

#### FEATURES

- Cost-effective solution for HVAC applications.
- High-capacity, fully-encapsulated microswitch NC/NO.

#### SPECIFICATIONS AND MODELS

Specification	H6045A1002 Duct Hygrostat	H6120A1000 Room Hygrostat
humidity range	35...100% r.H.	35...100% r.H.
switch load	15 (8) A, 24...250 Vac	5 (0.2) A, 230 Vac
contact	single-pole	single-pole
max. working temperature	-10...+65 °C	0...+60 °C
max. air-flow speed	8 m/s (15 m/s with R25)	15 m/s
protection standard	IP 65	IP 30
protection class	I	I
tolerance	max. 4% r.H.	max. 3% r.H.
switching hysteresis	5% r.H.	4% r.H.
housing material	ABS glass fiber reinforced	ABS (white)
weight	480 g	125 g

## DIMENSIONS

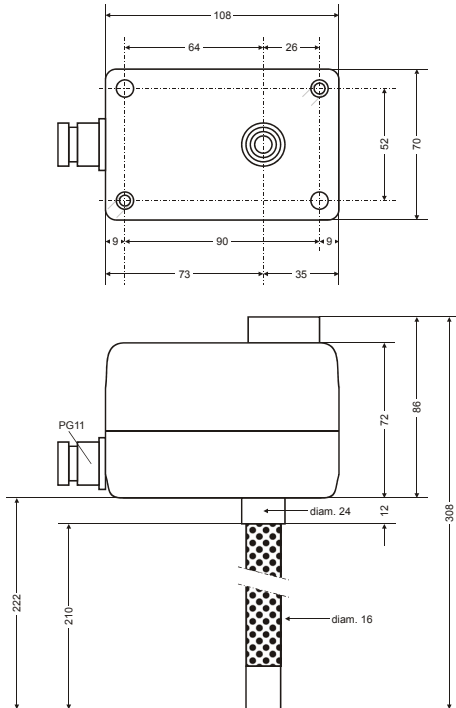


Fig. 1. H6045A1002 (dimensions in mm)

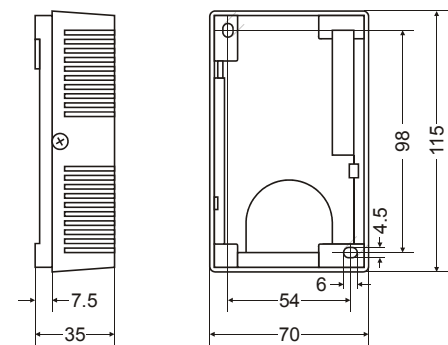


Fig. 2. H6120A1000 (dimensions in mm)

## MOUNTING

### H6045A1002

The H6045A1002 Duct Hygrometer can be installed directly onto air ducts using the two self-tapping screws (3,5 x 25) included in the delivery.

### H6120A1000

The H6120A1000 Room Hygrometer must be mounted far from heat sources and must be freely accessible for air convection at a height of approx. 1.5 meters.

## Switch Point Adjustment

The switch point can be adjusted using the knob located on the top of the device. The easily readable scale and the pointer on the housing surface facilitate adjusting the humidity level.

## WIRING

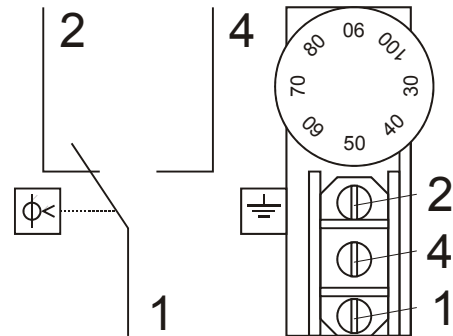


Fig. 3. H6045A1002, wiring

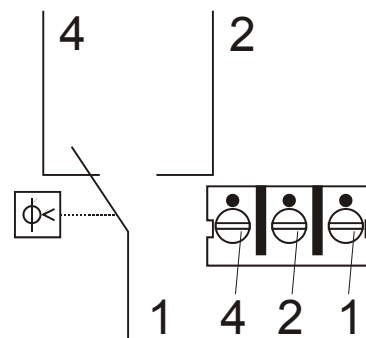


Fig. 4. H6120A1000, wiring

**Honeywell**

Manufactured for and on behalf of the Environmental and Combustion Controls Division of Honeywell Technologies Sàrl, Rolle, Z.A. La Pièce 16, Switzerland by its Authorized Representative:

### Automation and Control Solutions

Honeywell GmbH  
 Böblinger Strasse 17  
 71101 Schönaich / Germany  
 Phone: (49) 7031 63701  
 Fax: (49) 7031 637493  
<http://ecc.emea.honeywell.com>

**AutomatikCentret**

Strandvejen 42 • Saksild • 8300 Odder  
 86 62 63 64 • [www.automatikcentret.dk](http://www.automatikcentret.dk)  
[info@automatikcentret.dk](mailto:info@automatikcentret.dk)

Subject to change without notice. Printed in Germany

EN0B-0339GE51 R0711