

Type ETO2

Controller for ice and snow melting



67222B 06/20 (BCH)
© 2020 OJ Electronics A/S

- English
- Deutsch
- Polski
- Norsk
- Français
- Italiano
- Nederlands
- Český



GREEN COMFORT

Maximum comfort with low energy consumption

INSTRUCTIONS

English.....	3 - 8
Deutsch	9 - 14
Polski	15 - 20
Norsk.....	21 - 26
Français.....	27 - 32
Italiano.....	33 - 38
Nederlands	39 - 44
Česky.....	45 - 50

USER MANUALS

English.....	51 - 58
Deutsch	59 - 67
Polski	68 - 76
Norsk.....	77 - 84
Français.....	85 - 93
Italiano.....	94 - 102
Nederlands	103 - 111
Česky.....	112 - 119

MENU OVERVIEW:

Menu overview	120
---------------------	-----

ILLUSTRATIONS

Illustrations	121 - 126
---------------------	-----------




English Instruction




ETO2 is an electronic controller for fully automatic, economical ice and snow melting on outdoor surfaces and in gutters. Ice forms due to a combination of low temperature and moisture. ETO2 detects both temperature and moisture, and the ice and snow melting system will usually only be activated if ice or snow is present. ETO2 is suitable for controlling both electric heating cables and hydronic heating pipes.


Product programme

ETO2-4550	Thermostat.
ETOG-55	Ground sensor for detecting temperature and moisture.
ETOG-56/ETOK-1	Embedded ground sensor for detecting temperature and moisture.
ETOR-55	Gutter sensor for detecting moisture.
ETF-744/99	Outdoor sensor for detecting temperature.
ETF-522	Water pipe sensor for detecting temperature.


 **WARNING! – Read this manual!**
Carefully read this instruction manual in its entirety, paying close attention to all the warnings listed below. Make sure that you fully understand the use, displays and limitations of the controller because any confusion resulting from neglecting to follow this instruction manual, or from improper use of the device it concerns, may cause an installer to commit errors which could lead to ice and snow conditions capable of causing serious injury or death.

 **WARNING! – Note that snow, ice and icicles may be present even though you follow the instructions contained in this manual.**

You are strongly advised to monitor any unexpected build-up of snow, ice or icicles. As an additional safety measure, you should always perform a manual inspection of public areas in order to ensure safe access to the controlled areas.

 **WARNING! – Important safety instructions.**

Disconnect the power supply before carrying out any installation or maintenance work on this control unit and associated components. This control unit and associated components should only be installed by a competent person (i.e. a qualified electrician). Electrical installation must be in accordance with appropriate statutory regulations.

 **NOTE! – The output relays are potential free. The installer must connect a power source, e.g. from an electrical panel.**

CE MARKING FOR EU

OJ Electronics A/S hereby declares that the product is manufactured in accordance with Council Directive 2004/108/EC on electromagnetic compatibility (and subsequent amendments) and Council Directive 2006/95/EEC on electrical equipment designed for use within certain voltage limits.

Applied standards

ETO2-4550-EU28:	CE marking LVD/EMC: EN60730-2-9
ETO2-4550-US28:	CAN/CSA E 60730-2-9:01.
ETO2-4550-RU28:	CE marking LVD/EMC: EN60730-2-9

The product may only be used if the complete installation complies with current directives.

The product carries a manufacturer's warranty if installed in accordance with these instructions and current regulations.

If the product has been damaged in any way, e.g. during transport, it must be inspected and checked by authorised personnel before being connected to the power supply.

TECHNICAL DATA

Thermostat ETO2-4550:

Designed for indoor mounting only!

Supply voltage.... 115/240 V AC $\pm 10\%$, 50-60 Hz

Supply voltage for ETOG/ETOR

heating (SMPS).....28 V DC, 8 VA

3 output relays

(potential-free contact, NO).....3 X 16 A

Alarm relay (potential-free contact, NO). max. 5 A

Control signal to actuator

(mixing valve)..... 0-10 V DC

Supply voltage to actuator

(mixing valve)max. 48 V AC/DC / max. 2 A

On/off differential..... 1.8°F / 1°C

Temperature range -4/+50°F / -20/+10°C

Ambient temperature..... 32/122°F / 0/+50°C

Ambient air humidity 10-95%

Enclosure rating.....IP 20

Weight 600 g

Dimensions H/W/D.....90/156/45 mm

Type.....1B

Control pollution degree 2

Rated impulse voltage..... 4 kV

Ground sensor - type ETOG-55:

Designed to be embedded in outdoor surfaces.

DetectionMoisture and temperature

Mounting Outdoor surfaces

Enclosure rating.....IP 68

Ambient temperature..... -57/+158°F / -50/+70°C

Dimensions.....H32, Ø60 mm

Ground sensor - ETOG-56/ETOK-1:

Designed to be embedded in outdoor surfaces.

DetectionMoisture and temperature

Mounting Outdoor surfaces

Enclosure rating.....IP 68

Ambient temperature..... -57/+158°F / -50/+70°C

Dimensions, sensorH32, Ø60 mm

Dimensions, tubeH78, Ø63.5 mm

Gutter sensor - type ETOR-55:

Designed to be mounted in gutter or downpipe.

Is used together with outdoor sensor type ETF-744/99.

Detection Moisture

Mounting Gutter or downpipe

Enclosure rating.....IP 68

Ambient temperature..... -57/+158°F / -50/+70°C

Dimensions H/W/D.....105/30/13 mm

Outdoor sensor - ETF-744/99:

Detection Temperature

Mounting Wall

Enclosure rating.....IP 54

Ambient temperature..... -57/+158°F / -50/+70°C

Dimensions H/W/D......86/45/35 mm

Water pipe sensor - ETF-522:

Detection Temperature

Mounting Strapped to pipe

Enclosure rating.....IP 54

Ambient temperature..... -40/+248°F / -40/+120°C

Dimensions..... Ø6.5, L50 mm



NOTE: The snow and ice melting system is deactivated in the event of sensor failure - regardless of sensor type.

SENSOR INSTALLATION

Ground sensor - ETOG, figs 1+3:

For installation in outdoor surfaces where ice and snow are a regular problem. The sensor must be embedded horizontally with its top flush with the surrounding surface.

The sensor cable must be installed in accordance with current regulations.

NOTE: We strongly recommend the use of cable pipes in order to protect the sensor cable.

Detailed installation instructions are supplied with the sensor.

With ETOG-55, use the accompanying installation plate.

With ETOG-56, use the ETOK-1 mounting kit.



NOTE: Remove the installation plate from ETOG-55 before initial start-up.

Gutter sensor - ETOR, figs 2+4:

For installation in a gutter or downpipe on the sunny side of the building. It is important to ensure that the sensor contact elements face against the flow of melt water. If necessary, two sensors can be installed in parallel. Detailed installation instructions are supplied with the sensor.



Note that the pink and grey wires are not used.

Outdoor sensor - ETF-744/99, figs 2+4:

Although ETF is designed for use with gutter sensor ETOR, it can also be used separately for the detection of temperature alone. The sensor should be mounted on the wall beneath the eaves on the north side of the building.

Water pipe sensor - ETF-522:

Is only used with hydronic heating systems to detect the temperature of the supply and return water. Must be fastened to the pipe directly with strips.

Sensor cables:

With the exception of ETOG-56, which has a 25 m cable, ETOG and ETOR sensors are supplied with a 10 m cable, which can be extended up to approx. 200 m using standard installation cable: 6x1.5 mm² for ETOG and 4x1.5 mm² for ETOR. The ETF cable can be extended up to approx. 50 m in length. Sensor cables must be installed in accordance with current regulations. They must never be installed parallel to power cables as electrical interference may distort the sensor signal.

ETO2:

The unit is intended to be DIN-rail mounted in an approved panel.

Wall mounting:

The accompanying plastic cover can be used for wall mounting in an indoor area. Connect supply voltage to terminals N and L. All electrical and mechanical installation must be performed in accordance with applicable local regulations.

SETUP, ELECTRIC HEATING

- **1-zone electric heating control with ETOG (figs 3+6):**
Connect 1 or 2 ETOG sensors to terminals 11-20.
Connect heating cable to potential-free output relays 1, 2 and 3 according to fig. 8.
- **1-zone electric heating control with ETOR + ETF (figs 4+7):**
Connect 1 or 2 ETOR sensors to terminals 11-20.
Note that the pink and grey wires are not used.
Connect 1 ETF sensor to terminals 31-32.
Connect heating cable to potential-free output relays 1, 2 and 3 according to fig. 8.
- **2-zone electric heating control with ETOG (figs 3+6):**
Connect 2 ETOG sensors to terminals 11-20.
Connect heating cable for zone 1 to potential-free output relay 1 according to fig. 8.
Connect heating cable for zone 2 to potential-free output relay 2 according to fig. 8.
- **2-zone electric heating control with ETOR (figs 4+7):**
Connect 2 ETOR sensors to terminals 11-20.
Note that the pink and grey wires are not used.
Connect heating cable for zone 1 to potential-free output relay 1 according to fig. 8.
Connect heating cable for zone 2 to potential-free output relay 2 according to fig. 8.
- **2-zone electric heating control with ETOG and ETOR (figs 5+6+7):**
Connect 1 ETOG sensor to terminals 11-16 as sensor 1.
Connect 1 ETOR sensor to terminals 17-20 as sensor 2.
Note that the pink and grey wires are not used.
Connect heating cable for zone 1 (ground) to potential-free output relay 1 according to fig. 8.
Connect heating cable for zone 2 (roof) to potential-free output relay 2 according to fig. 8.

- **1-zone electric heating control with output control (Y/Δ) (figs 6+9+10):**

Advanced 2-stage control with ETOG. 1/3 power on heating cables in afterrun.

Connect 1 or 2 ETOG sensors to terminals 11-20.

Connect external contactor/relays to potential-free output relays 1, 2 and 3 according to fig. 10.

SETUP, HYDRONIC HEATING

- **1-zone hydronic heating control for controlling the supply water temp. with mixing valve (figs 6+11+13+16):**

Connect 1 or 2 ETOG sensors to terminals 11-20 (fig. 6).

Connect supply voltage (24 V AC) for mixing valve to terminals 25-26 (fig. 13).

Connect mixing valve to terminals 21-24 (fig. 13).

Connect ETF-522 supply and return sensors to terminals 27-30 (fig. 16).

Connect primary pump to potential-free output relay 1 according to fig. 14.

Connect secondary pump to potential-free output relay 2 according to fig. 14.

- **1- or 2-zone hydronic heating control, simple (figs 3+6+12):**

Connect 1 or 2 ETOG sensors to terminals 11-20 (fig. 6).

Connect circulation pump for zone 1 to potential-free output relay 1 according to fig. 14.

If zone 2 is used, connect circulation pump for zone 2 to potential-free output relay 2 according to fig. 14.

Same application setup as for 1- or 2-zone electric heating control, see User Manual, Startup.

REMOTE CONTROL (fig. 15):

The forced heat and standby functions can be remotely controlled by wiring ETO2 to external buttons/relays (normally open).

Connect external standby button to terminals 33-34.

Connect external forced heat button to terminals 35-36.

TESTING SNOW MELTING SYSTEM

After completing installation and application setup, it is recommended that the snow melting system is tested.

1. Adjust SET TEMP in the setup menu to max. temperature.
2. Pour some water onto the sensor (ETOG/ETOR).
3. The output relay for the heating cable in the zone concerned should activate and ON should be indicated on the ETO2 display. Check that the heating cable becomes warm, check the voltage if possible.
4. After testing, adjust SET TEMP back to the desired setting (factory setting = +3.0°C / 37.4°F).

WIRING (fig. 16):

TERMINAL	COLOUR CODE	WIRING
N, L		Supply voltage, 115-240 V AC 50/60 Hz
1, 2		Alarm relay (potential-free), max. 5 A
3, 4		Output relay 1, 16 A (potential-free), Heating cable 1 (zone 1) / Primary pump
5, 6		Output relay 2, 16 A (potential-free), Heating cable 2 (zone 2) / Secondary pump
7, 8		Output relay 3, 16 A (potential-free), Heating cable 3
11, 12	brown/green	Sensor heating 1+2, ETOG 1+2 and ETOR 1+2
13, 14	grey/pink	Temperature sensor, ETOG 1
15, 16	yellow/white	Moisture sensor 1, ETOG 1/ETOR 1
17, 18	grey/pink	Temperature sensor, ETOG 2
19, 20	yellow/white	Moisture sensor 2, ETOG 2/ETOR 2
21, 22		3- or 4-way mixing valve, 0-10 V
23, 24		3- or 4-way mixing valve, 24 V AC
25, 26		24 V AC from external supply for 3- or 4-way mixing valve
27, 28		Supply water temperature sensor, ETF-522
29, 30		Return water temperature sensor, ETF-522
31, 32		Outdoor temperature sensor, ETF
33, 34		Standby, external input
35, 36		Forced control heat, external input

**ETOR SENSOR WIRES :**

Note that the pink and grey wires are not used.

OJ cannot be held liable for any errors in catalogues, brochures or other printed material. OJ reserves the right to alter its products without notice. This also applies to products already on order, provided that such alterations can be made without requiring subsequent changes in specifications already agreed. All trademarks in this material are the property of the respective companies. OJ and the OJ logotype are trademarks of OJ Electronics A/S. All rights reserved.

Environment protection and recycling

Help protect the environment by disposing of the packaging and redundant products in a responsible manner.

Product disposal

Products marked with this symbol must not be disposed of along with household refuse, but must be delivered to a waste collection centre in accordance with current local regulations.

Figures

Fig. 1 Installation of ETOG ground sensor

- 1 Sensor
- 2 Installation plate
- 3 Heating element

Fig. 2 Installation of ETOR gutter sensor and ETF outdoor sensor

- 1 Thermostat ETO2
- 2 Gutter sensor
- 3 Outdoor sensor

Fig. 3 1-zone electric heating with ETOG sensor

- Fig. 4 1-zone electric heating with ETOR/ETF sensor
- Fig. 5 2-zone electric heating (roof/ground)
- Fig. 6 ETOG connection
- Fig. 7 ETOR connection
- Fig. 8 Heating cable connection, example
- Fig. 9 2-stage electric heating control (Y/ Δ)
- Fig. 10 Advanced 2-stage connection (Y/ Δ)
- Fig. 11 1-zone hydronic heating control for control of supply water temp. with mixing valve
- Fig. 12 1- or 2-zone hydronic heating control, simple (same application setup as 1- or 2-zone electric heating control)
- Fig. 13 Hydronic mixing valve connection
- Fig. 14 Hydronic pump connection
- Fig. 15 Connections for remote control of standby and forced heat
- Fig. 16 ETO2 controller, terminal overview



ETO2 ist ein elektronischer Regler zur vollautomatischen, wirtschaftlichen Eis- und Schneeschmelze in Außenbereichen und Dachrinnen. Eis bildet sich bei einer bestimmten Konstellation von niedriger Temperatur und Feuchte. ETO2 erfasst sowohl die Temperatur als auch die Feuchte, und die Schneeschmelzanlage wird gewöhnlich nur bei Vorhandensein von Eis oder Schnee aktiviert. ETO2 eignet sich zum Regeln von elektrischen Heizkabeln oder wasserbasierten Heizrohren.

Produktprogramm

ETO2-4550	Thermostat.
ETOG-55	Bodenfühler zur Erfassung von Temperatur und Feuchte.
ETOG-56/ETOK-1	Eingegossener Bodenfühler zur Erfassung von Temperatur und Feuchte.
ETOR-55	Dachrinnenfühler zur Erfassung von Feuchte
ETF-744/99	Außenfühler zur Temperaturerfassung.
ETF-522	Wasserrohrfühler zur Temperaturerfassung.

ACHTUNG! – Das Handbuch bitte lesen!


Bitte das Betriebshandbuch sorgfältig durchlesen und die unten angeführten Sicherheitshinweise genau beachten. Machen Sie sich mit dem Gebrauch, den Displayanzeigen und den Begrenzungen der Steuerung völlig vertraut, da aus der Nichtbeachtung dieser Bedienungsanleitung oder unsachgemäßer Anwendung dieses Geräts entstehende Unklarheiten zu Eis- und Schneebildung mit Verletzungs- oder Lebensgefahr verursachenden Installationsfehlern führen könnten.

ACHTUNG! – Beachten Sie, dass sich Schneeelag, Eis und Eiszapfen bilden können, auch wenn Sie die in diesem Handbuch enthaltenen Anweisungen befolgen.

Es wird nachdrücklich empfohlen, jede unerwartete Bildung von Schneeelag, Eis oder Eiszapfen sorgfältig zu beobachten. Als zusätzliche Sicherheitsmaßnahme sollte in zugänglichen Bereichen immer eine persönliche Inspektion erfolgen, um sich vom gesicherten Zustand des Kontrollbereichs zu überzeugen.

ACHTUNG! – Wichtige Sicherheitsanweisungen.

Vor der Ausführung von Installations- oder Instandhaltungsarbeiten an dieser Regeleinheit und zugehörigen Komponenten ist die Spannungsversorgung zu unterbrechen. Diese Regeleinheit und zugehörige Komponenten dürfen nur von einer fachlich befähigten Person (d. h. autorisierter Elektriker) installiert werden. Die Elektroinstallation muss in Übereinstimmung mit den neuesten EU-Richtlinien für elektrische Betriebsmittel und den diesbezüglichen Rechtsvorschriften erfolgen.

 **HINWEIS!** – Die Ausgangsrelais sind potentialfrei. Der Installateur muss eine Stromquelle anschließen, z. B. von einer Schalttafel.

CE-KENNEICHNUNG FÜR EU

OJ Electronics A/S erklärt hiermit, dass das Produkt entsprechend der Richtlinie des Rates 2004/108/EG (und nachträglichen Ergänzungen) über die elektromagnetische Verträglichkeit (EMV) und der Richtlinie des Rates 2006/95/EG betreffend elektrische Betriebsmittel zur Verwendung innerhalb bestimmter

Spannungsgrenzen (Niederspannungsrichtlinie) hergestellt ist.

Angewandte Normen

ETO2-4550-EU28: CE-Kennzeichnung NSR/EMV:
EN60730-2-9

ETO2-4550-US28: CAN/CSA E 60730-2-9:01.

ETO2-4550-RU28: CE-Kennzeichnung NSR/EMV:
EN60730-2-9

Das Produkt darf nur angewandt werden, wenn die gesamte Anlage den aktuellen Richtlinien entspricht.

Für dieses Produkt wird vom Hersteller Garantie gewährleistet, wenn es gemäß dieser Anleitung und den anwendbaren Richtlinien installiert wurde.

Wurde das Produkt in irgendeiner Weise beschädigt, z. B. während des Transports, muss es vor dem Anschluss an die Spannungsversorgung von autorisiertem Personal begutachtet und geprüft werden.

TECHNISCHE DATEN

Thermostat ETO2-4550:

Nur für Innenraummontage ausgelegt!
Netzspannung 115/240 V~ ±10 %, 50-60 Hz
Versorgungsspannung für ETOG/ETOR
Heizung (SMPS) 28 V=, 8 VA
3 Ausgangsrelais
(potentialfreier Kontakt, NO) 3 × 16 A
Alarmrelais (potentialfreier Kontakt, NO) max. 5 A
Steuersignal zum Stellantrieb
(Mischventil) 0-10 V DC
Versorgungsspannung für Stellantrieb
(Mischventil) max. 48 V~/=, max. 2 A
On/Off-Differenzial 1,8 °F/1 °C
Temperaturbereich -4/+50 °F/-20/+10 °C
Umgebungstemperatur 32/122 °F/0/+50 °C
Außenluftfeuchte 10-95 %
Schutzgrad IP 20
Gewicht 600 g
Abmessungen H/B/T 90/156/45 mm
Typ 1B
Verschmutzungsgradkontrolle 2
Nennimpulsspannung 4 kV

Bodenfühler - Typ ETOG-55:

Vorgesehen zur Einbettung im Außenbereich.
Erfassung Feuchte und Temperatur
Einbau Außenbereich
Schutzgrad IP 68
Umgebungstemperatur -57/+158 °F/-50/+70 °C
Abmessungen H32, Ø60 mm

Bodenfühler - ETOG-56/ETOK-1:

Vorgesehen zur Einbettung im Außenbereich.
Erfassung Feuchte und Temperatur
Einbau Außenbereich
Schutzgrad IP 68
Umgebungstemperatur -57/+158 °F/-50/+70 °C
Abmessungen, Fühler H32, Ø60 mm
Abmessungen, Rohr H78, Ø63,5 mm

Dachrinnenfühler - Typ ETOR-55:

Vorgesehen für Einbau in Dachrinne oder Abflussrohr. Angewandt in Verbindung mit Außenfühler Typ ETF-744/99.
Erfassung Feuchte
Einbau Dachrinne oder Abflussrohr
Schutzgrad IP 68
Umgebungstemperatur -57/+158 °F/-50/+70 °C
Abmessungen H/B/T 105/30/13 mm

Außenfühler - ETF-744/99:

Erfassung Temperatur
Einbau Wandmontage
Schutzgrad IP 54
Umgebungstemperatur -57/+158 °F/-50/+70 °C
Abmessungen H/B/T 86/45/35 mm

Wasserrohrfühler - ETF-522:

Erfassung Temperatur
Einbau Am Rohr befestigt
Schutzgrad IP 54
Umgebungstemperatur -40/+248 °F/-40/+120 °C
Abmessungen Ø6,5, L50 mm



HINWEIS: Die Schnee und Eisschmelzanlage wird im Falle von Fühlerdefekt deaktiviert – unabhängig vom Fühlertyp.

FÜHLERINSTALLATION

Bodenfühler – ETOG, Abb. 1+3:

Für Installation in Freiflächen, auf denen Eis und Schnee häufig ein Problem darstellen. Der Fühler muss horizontal, mit dem Kopf fluchtend in die umgebende Bodenoberfläche eingebettet werden. Das Fühlerkabel ist in Übereinstimmung mit den geltenden Regeln und Vorschriften zu installieren.

HINWEIS: Zum Schutz des Fühlerkabels empfehlen wir nachdrücklich die Anwendung von Kabelrohren. Eine detaillierte Montageanweisung wird mit dem Fühler mitgeliefert.

Für ETOG-55, die beiliegende Montageplatte verwenden.

Für ETOG-56, den ETOK-1-Montagesatz verwenden.



HINWEIS: Vor der ersten Inbetriebnahme die Montageplatte vom ETOG-55 entfernen.

Dachrinnenfühler – ETOR, Abb. 2+4:

Zum Einbau in der Dachrinne oder im Abflussrohr auf der Sonnenseite des Gebäudes. Es ist sicherzustellen, dass die Kontaktelemente des Fühlers entgegengesetzt der Flussrichtung des Schmelzwassers angeordnet sind. Falls erforderlich können zwei Fühler parallel installiert werden. Eine detaillierte Montageanweisung wird mit dem Fühler mitgeliefert.



Achtung: Der rosa und der graue Leiter dürfen nicht angeschlossen werden.

Außenfühler – ETF-744/99, Abb. 2+4:

Obwohl ETF für den Einsatz mit Dachrinnenfühler ETOR ausgelegt ist, kann er auch separat allein zur Temperaturerfassung eingesetzt werden. Der Fühler ist auf der Mauer unter dem Dachüberhang auf der Nordseite des Gebäudes zu montieren.

Wasserrohrfühler – ETF-522:

Kommt nur bei wasserbasierten Heizanlagen zur Erfassung der Vorlauf- und

Rücklaufwassertemperatur zum Einsatz. Muss direkt am Rohr mit Bändern festgespannt werden.

Fühlerkabel:

Mit Ausnahme von ETOG-56, der ein 25 m langes Kabel hat, werden ETOG- und ETOR-Fühler mit 10 m Kabel geliefert, dass mit einem standardmäßigen Installationskabel, 6x1,5 mm² für ETOG und 4x1,5 mm² für ETOR, bis auf ca. 200 m verlängert werden kann. Das ETF-Kabel kann bis auf ca. 50 m verlängert werden. Fühlerkabel müssen in Übereinstimmung mit den geltenden Regeln und Vorschriften installiert werden. Sie dürfen nicht parallel mit Starkstromkabeln verlegt werden, um mögliche Störeinflüsse auf das Fühlersignal zu vermeiden.

ETO2:

Die Einheit ist für DIN-Schienenmontage in einer zugelassenen Schalttafel vorgesehen. Wandmontage:

Die mitgelieferte Kunststoffabdeckung kann für Wandmontage in Innenbereichen benutzt werden.

Die Spannungsversorgung an den Klemmen N und L anschließen. Die gesamte elektrische und mechanische Installation muss in Übereinstimmung mit den geltenden lokalen Regeln und Vorschriften erfolgen.

KONFIGURATION, ELEKTRISCHE HEIZUNG

- 1-Zonen-Elektroheizungsregelung mit ETOG (Abb. 3+6):**
 Einen oder zwei ETOG-Fühler an die Klemmen 11-20 anschließen.
 Heizkabel gem. Abb. 8 an die potentialfreien Ausgangsrelais 1, 2 und 3 anschließen.
- 1-Zonen-Elektroheizungsregelung mit ETOR + ETF (Abb. 4+7):**
 Einen oder zwei ETOR-Fühler an die Klemmen 11-20 anschließen.
 Achtung: Der rosa und der graue Leiter dürfen nicht angeschlossen werden.
 Einen ETF-Fühler an die Klemmen 31-32 anschließen.

Heizkabel gem. Abb. 8 an die potentialfreien Ausgangsrelais 1, 2 und 3 anschließen.

• **2-Zonen-Elektroheizungsregelung mit ETOG (Abb. 3+6):**

Zwei ETOG-Fühler an die Klemmen 11-20 anschließen.

Heizkabel für Zone 1 gem. Abb. 8 an potentialfreies Ausgangsrelais 1 anschließen.
Heizkabel für Zone 2 gem. Abb. 8 an potentialfreies Ausgangsrelais 2 anschließen.

• **2-Zonen-Elektroheizungsregelung mit ETOR (Abb. 4+7):**

Zwei ETOR-Fühler an die Klemmen 11-20 anschließen.

Achtung: Der rosa und der graue Leiter dürfen nicht angeschlossen werden.

Heizkabel für Zone 1 gem. Abb. 8 an potentialfreies Ausgangsrelais 1 anschließen.
Heizkabel für Zone 2 gem. Abb. 8 an potentialfreies Ausgangsrelais 2 anschließen.

• **2-Zonen-Elektroheizungsregelung mit ETOG und ETOR (Abb. 5+6+7):**

Einen ETOG-Fühler als Fühler 1 an die Klemmen 11-16 anschließen.

Einen ETOR-Fühler als Fühler 2 an die Klemmen 17-20 anschließen.

Achtung: Der rosa und der graue Leiter dürfen nicht angeschlossen werden.

Heizkabel für Zone 1 (Boden) gem. Abb. 8 an potentialfreies Ausgangsrelais 1 anschließen.
Heizkabel für Zone 2 (Dach) gem. Abb. 8 an potentialfreies Ausgangsrelais 2 anschließen.

• **1-Zonen-Elektroheizungsregler mit Ausgangsregelung (Y/Δ) (Abb. 6+ 9+10):**

Erweiterte 2-Stufen-Regelung mit ETOG. 1/3 Leistung auf den Heizkabeln bei Nachheizung.
Einen oder zwei ETOG-Fühler an die Klemmen 11-20 anschließen.

Externen Schütz/externe Relais gem. Abb. 10 an die potentialfreien Ausgangsrelais 1, 2 und 3 anschließen.

CONFIGURATION, WASSERBASIERTE HEIZUNG

• **1-Zonen-Wasserheizungssteuerung zur Regelung der Vorlauftemp. mit Mischventil (Abb. 6+11+13+16):**

Einen oder zwei ETOG-Fühler an die Klemmen 11-20 anschließen (Abb. 6).

Versorgungsspannung (24 V-) für Mischventil an die Klemmen 25-26 anschließen (Abb. 13).
Mischventil an die Klemmen 21-24 anschließen (Abb. 13).

ETF-522-Vorlauf- und Rücklauffühler an die Klemmen 27-30 anschließen (Abb.16.)

Hauptpumpe gem. Abb. 14 an das potentialfreie Ausgangsrelais 1 anschließen.
Hilfspumpe gem. Abb. 14 an das potentialfreie Ausgangsrelais 2 anschließen.

• **1- oder 2-Zonen-Wasserheizungssteuerung, einfach (Abb. 3+6+12)**

Einen oder zwei ETOG-Fühler an die Klemmen 11-20 anschließen (Abb.6).

Umwälzpumpe für Zone 1 gem. Abb. 14 an potentialfreies Ausgangsrelais 1 anschließen.
Bei Anwendung von Zone 2, Umwälzpumpe für Zone 2 gem. Abb. 14 an potentialfreies Ausgangsrelais 2 anschließen.

Gleiche Anwendungskonfiguration für 1- oder 2-Zonen-Elektroheizungsregelung, siehe Benutzerhandbuch, Inbetriebnahme.

FERNBEDIENUNG (Abb. 15):

Zwangsheizung und Bereitschaftsfunktion können mittels Kabel vom ETO2 zu externen Tasten/Relais (normal offen) ferngesteuert werden.

Die externe Bereitschaftstaste an die Klemmen 33-34 anschließen.

Die externe Zwangsheizungssteuerung an die Klemmen 35-36 anschließen.

TEST DER SCHNEESCHMELZANLAGE

Nach Installation und Konfiguration wird empfohlen, die Schneeschmelzanlage zu testen.

1. SET TEMP (Sollwerttemperatur) im Einstellmenü auf max. Temperatur einstellen.
2. Etwas Wasser über den Fühler (ETOG/ETOR) gießen.
3. Das Ausgangsrelais für das Heizkabel der betreffenden Zone sollte aktiviert und ON am ETO2-Display angezeigt werden. Überprüfen, ob das Heizkabel warm wird, eventuell die Spannung messen.
4. Nach dem Test die SET TEMP wieder auf den gewünschten Wert (Werkseinstellung = +3,0 °C/37,4 °F) zurückstellen.

VERDRÄHTUNG (Abb.16)

KLEMME	FARBKENN-ZEICHNUNG	VERDRÄHTUNG
N, L		Spannungsversorgung, 115-240 V~ 50/60 Hz
1, 2		Alarmrelais (potentialfrei) max. 5 A
3, 4		Ausgangsrelais 1, 16 A (potentialfrei), Heizkabel 1 (Zone 1)/Hauptpumpe
5, 6		Ausgangsrelais 2, 16 A (potentialfrei), Heizkabel 2 (Zone 2)/Hilfspumpe
7, 8		Ausgangsrelais 3, 16 A (potentialfrei); Heizkabel 3
11, 12	Braun/Grün	Fühler Heizung 1+2, ETOG 1+2 und ETOR 1+2
13, 14	Grau/Rosa	Temperaturfühler, ETOG 1
15, 16	Gelb/Weiß	Feuchtefühler 1, ETOG 1/ETOR 1
17, 18	Grau/Rosa	Temperaturfühler, ETOG 2
19, 20	Gelb/Weiß	Feuchtefühler 2, ETOG 2/ETOR 2
21, 22		3- oder 4-Wege-Mischventil, 0-10 V
23, 24		3- oder 4-Wege-Mischventil, 24 V~
25, 26		24 V~ von externer Versorgung für 3- oder 4-Wege-Mischventil
27, 28		Wasservorlauf-Temperaturfühler, ETF-522
29, 30		Wasserrücklauf-Temperaturfühler, ETF-522
31, 32		Außentemperaturfühler, ETF
33, 34		Bereitschaftsbetrieb, externer Eingang
35, 36		Zwangsheizung, externer Eingang



ETOR-FÜHLERDRÄHTE:

Achtung: Der rosa und der graue Leiter dürfen nicht angeschlossen werden.

Die in Katalogen, Prospekten und anderen schriftlichen Unterlagen, wie z.B. Zeichnungen und Vorschlägen enthaltenen Angaben und technischen Daten sind vom Käufer vor Übernahme und Anwendung zu prüfen. OJ behält sich das Recht vor, ohne vorherige Bekanntmachung im Rahmen des Angemessenen und Zumutbaren Änderungen an ihren Produkten – auch an bereits in Auftrag genommenen – vorzunehmen. Alle in dieser Publikation enthaltenen Warenzeichen sind Eigentum der jeweiligen Firmen. OJ und alle OJ Logos sind Warenzeichen der OJ Electronics A/S. Alle Rechte vorbehalten.

Umweltschutz und Recycling

Helfen Sie, die Umwelt zu schützen, und entsorgen Sie die Verpackung und überschüssigen Teile verantwortungsbewusst.

Entsorgung (Produkt)



Mit diesem Symbol gekennzeichnete Produkte dürfen nicht gemeinsam mit Haushaltsabfall entsorgt werden, sondern müssen entsprechend den lokalen Richtlinien bei einer Abfallsammelstelle abgeliefert werden.

Abbildungen

- Abb. 1 Installation des ETOG-Bodenfühlers
1 Fühler
2 Einbauplatte
3 Heizelement
- Abb. 2 Installation von ETOR-
Dachrinnenfühler und ETF
Außenfühler
1 Thermostat ETO2
2 Dachrinnenfühler
3 Außenfühler
- Abb. 3 1-Zonen-Elektroheizung mit ETOG-
Fühler
- Abb. 4 1-Zonen-Elektroheizung mit ETOR/
ETF-Fühler
- Abb. 5 2-Zonen-Elektroheizung (Dach/
Boden)
- Abb. 6 ETOG-Anschluss
- Abb. 7 ETOR-Anschluss
- Abb. 8 Heizkabelanschluss, Beispiel
- Abb. 9 Erweiterte 2-Stufen-
Elektroheizungsregelung (Y/ Δ)
- Abb. 10 Erweiterte 2-Stufen-Schaltung Y/ Δ)
- Abb. 11 1-Zonen-Wasserheizungssteuerung
zur Regelung der Vorlauftemp. mit
Mischventil
- Abb. 12 1- oder 2-Zonen-
Wasserheizungssteuerung, einfach
(gleiche Anwendungskonfiguration
wie 1- oder 2-Zonen-
Elektroheizungsregler)
- Abb. 13 Mischventilanschluss
- Abb. 14 Wasserpumpenanschluss
- Abb. 15 Anschluss für fernbediente
Bereitschaftsfunktion und
Zwangsheizung
- Abb. 16 ETO2-Regler Klemmenplan



Język polski Instrukcja montażu



ETO2 to elektroniczny kontroler, który umożliwiła w pełni automatyczne i ekonomiczne usuwanie śniegu i lodu z rynien dachowych oraz terenów zewnętrznych.

Oblodzenia powstają przy połączeniu niskiej temperatury z wysoką wilgotnością. Czujniki połączone z kontrolerem mierzą te wartości, a system grzewczy jest uruchamiany z zasady wyłącznie w przypadku wykrycia obecności śniegu i lodu. ETO2 może sterować działaniem elektrycznych i hydraulicznych układów grzewczych.

Asortyment produktów

ETO2-4550	Termostat
ETOG-55	Gruntowy czujnik temperatury i wilgotności
ETOG-56/ETOK-1	Gruntowy czujnik temperatury i wilgotności do osadzenia w podłożu
ETOR-55	Rynnowy czujnik wilgotności
ETF-744/99	Zewnętrzny czujnik temperatury
ETF-522	Czujnik temperatury cieczy w rurach grzewczych

UWAGA! – Prosimy o zapoznanie się z instrukcją!

Prosimy o wnikliwe przeczytanie całej instrukcji, ze zwróceniem szczególnej uwagi na poniższe ostrzeżenia i uwagi. Prosimy także o upewnienie się, czy w pełni rozumieją Państwo zasady działania kontrolera, menu i inne informacje pojawiające się na wyświetlaczu, a także ograniczenia dotyczące pracy urządzenia, ponieważ nieprzestrzeganie niniejszej instrukcji lub nieprawidłowe zastosowanie ETO2 może spowodować popękanie błędów skutkujących zaleganiem śniegu i lodu, co wiąże się z ryzykiem poważnych urazów

ciała, a nawet zgonu przebywających na terenie osób.

UWAGA! – Prosimy mieć świadomość, że śnieg, lód i sople mogą występować, nawet jeśli urządzenie jest użytkowane zgodnie z instrukcją.

Zaleca się monitorowanie stanu terenu, by uniknąć niespodziewanego zaśnieżenia i oblodzenia. Dodatkowo należy często sprawdzać warunki panujące na obszarach publicznych przylegających do miejsca użytkowania urządzenia, w celu zapewnienia bezpiecznego dostępu do kontrolowanej przez nie strefy.

UWAGA! – Ważne wskazówki w zakresie bezpieczeństwa.

Przed przystąpieniem do prac montażowych lub konserwacyjnych należy zawsze odłączyć zasilanie i wszystkich połączonych z nim elementów instalacji. Montaż kontrolera i pozostałych urządzeń wchodzących w skład systemu może być wykonywany wyłącznie przez uprawnione osoby (tj. wykwalifikowanego elektryka). Instalacja elektryczna musi spełniać wymogi obowiązującego prawa.

UWAGA! – Przekazniki wyjściowe są bezpotencjałowe. Instalator musi podłączyć źródło zasilania, np. z rozdzielnic elektrycznej.

UNIJNE OZNACZENIE CE

OJ Electronics A/S niniejszym zaświadcza, że wyrób spełnia wymogi Dyrektywy Rady 2004/108/WE w sprawie kompatybilności elektromagnetycznej (z późniejszymi zmianami) oraz Dyrektywy Rady 2006/95/WE w sprawie sprzętu elektrycznego przewidzianego do stosowania w określonych granicach napięcia.

Zastosowane normy

ETO2-4550-EU28:	Oznaczenie CE zgodnie z wymogami dyrektywy niskonapięciowej/o kompatybilności elektromagnetycznej: EN60730-2-9
ETO2-4550-US28:	CAN/CSA E 60730-2-9:01:01.
ETO2-4550-RU28:	Oznaczenie CE zgodnie z wymogami dyrektywy niskonapięciowej/o kompatybilności elektromagnetycznej: EN60730-2-9

Produkt może być stosowany wyłącznie wtedy, gdy cała instalacja spełnia wymogi obowiązujących dyrektyw.

Gwarancja producenta jest wiążąca pod warunkiem zainstalowania wyrobu w sposób zgodny z niniejszą instrukcją oraz aktualnymi przepisami. Jeśli produkt uległ jakiegokolwiek uszkodzeniu, np. w czasie transportu, musi przed podłączeniem zasilania zostać sprawdzony przez upoważnionego do tego personel.

DANE TECHNICZNE**Termostat ETO2-4550:**

Przeznaczony wyłącznie do montażu wewnątrz budynków!
Napięcie zasilające 115/240 V AC \pm 10%, 50-60 Hz
Napięcie zasilające ogrzewania ETOG/ETOR (SMPS) 28 V DC, 8 VA
3 przekaźniki wyjściowe (zestyki bezpotencjałowe, NO) 3 X 16 A
Przekaźnik alarmowy (zestyk bezpotencjałowy, NO) maks. 5 A
Sygnal kontrolny do silownika (zawór mieszający) 0-10 V DC
Napięcie zasilające siłownika (zawór mieszający) maks. 48 V AC/DC / maks.2 A
Histeresa (różnica włącz/wyłącz) 1,8°F / 1°C
Zakres temperatur -4/+50°F / -20/+10°C
Temperatura otoczenia 32/122°F / 0/+50°C
Wilgotność powietrza w otoczeniu 10-95%
Klasa szczelności obudowy IP 20
Waga 600 g

Wymiary (wys./szer./głęb.).....	90/156/45 mm
Typ	1B
Stożenie zanieczyszczenia środowiska	2
Znamionowe napięcie impulsów	4 kV

Czujnik gruntyowy typu ETOG-55:

Przeznaczony do osadzania w podłożu na powierzchniach zewnętrznych.	
Mierzone wielkości Wilgotność i temperatura	
Montaż	Na zewnątrz
Klasa szczelności obudowy	IP 68
Temperatura otoczenia ... -57/+158°F / -50/+70°C	
Wymiary	Wys. 32, \varnothing 60 mm

Czujnik gruntyowy typu ETOG-56/ETOK-1:

Przeznaczony do osadzania w podłożu na powierzchniach zewnętrznych.	
Mierzone wielkości Wilgotność i temperatura	
Montaż	Na zewnątrz
Klasa szczelności obudowy	IP 68
Temperatura otoczenia ... -57/+158°F / -50/+70°C	
Wymiary czujnika	Wys. 32, \varnothing 60 mm
Wymiary rurki osłonowej	Wys. 78, \varnothing 63,5 mm

Czujnik rynnowy typu ETOR-55:

Przeznaczony do montażu w rynnach dachowych i rurach spustowych. Stosowany razem z czujnikiem zewnętrznym typu ETF-744/99.	
Mierzona wielkość	Wilgotność
Montaż.....	W rynnach dachowych i rurach spustowych
Klasa szczelności obudowy	IP 68
Temperatura otoczenia ... -57/+158°F / -50/+70°C	
Wymiary (wys./szer./głęb.).....	105/30/13 mm

Czujnik zewnętrzny typu ETF-744/99:

Mierzona wielkość	Temperatura
Montaż	Naścienny
Klasa szczelności obudowy	IP 54
Temperatura otoczenia ... -57/+158°F / -50/+70°C	
Wymiary (wys./szer./głęb.).....	.86/45/35 mm

Czujnik temperatury cieczy w rurach grzewczych typu ETF-522:

Mierzona wielkość	Temperatura
Montaż.....	Mocowanie paskami do rury
Klasa szczelności obudowy	IP 54
Temperatura otoczenia . -40/+248°F / -40/+120°C	
Wymiary.....	\varnothing 6,5 mm, długość 50 mm



UWAGA: Wystąpienie błędu czujnika – niezależnie od jego typu – powoduje wyłączenie systemu przeciwbłodzeniowego.

MONTAŻ CZUJNIKÓW

Czujnik gruntowy ETOG, rys. 1+3:

Przeznaczony do montażu na zewnątrz, w miejscach, w których występowanie śniegu i lodu regularnie powoduje problemy. Powinien być zagłębiony w pozycji poziomej w taki sposób, aby jego górna powierzchnia była równa z powierzchnią podłoża.

Przewód czujnika należy zainstalować zgodnie z wymogami obowiązującego prawa.

UWAGA: Zalecamy poprowadzenie przewodu w ochronnej rurce. Szczegółowa instrukcja montażu jest dołączona do czujnika.

W przypadku czujnika typu ETOG-55, należy wykorzystać dołączoną płytkę instalacyjną.

W przypadku czujnika typu ETOG-56, należy wykorzystać zestaw montażowy ETOK-1.



UWAGA: Przed pierwszym uruchomieniem czujnika ETOG-55 płytkę instalacyjną należy zdemontować.

Czujnik rynnowy ETOR, rys. 2+4:

Przeznaczony do montażu w rynnie dachowej lub rurze spustowej po słonecznej stronie budynku. Ważne jest takie umieszczenie elementów kontaktowych czujnika, by stykały się one ze spływającą wodą z rozpuszczonego śniegu i lodu. W razie potrzeby, możliwe jest równoległe połączenie dwóch czujników. Szczegółowa instrukcja montażu jest dołączona do czujnika.



Przewody różowy i szary powinny pozostać niepodłączone.

Czujnik zewnętrzny ETF-744/99, rys. 2+4:

Pomimo że czujnik ETF jest przeznaczony do stosowania razem z czujnikiem rynnowym ETOR, można go też wykorzystywać niezależnie do pomiaru samej temperatury. Czujnik należy montować na ścianie pod okapem dachu po północnej stronie budynku.

Czujnik temperatury cieczy w rurach grzewczych typu ETF-522:

Do stosowania wyłącznie w hydraulicznych układach grzewczych do pomiaru temperatury cieczy zasilającej i powrotnej. Czujnik należy mocować za pomocą paszków bezpośrednio do rury.

Przewody czujników:

Czujniki typu ETOG i ETOR są dostarczane z 10-metrowym przewodem (ETOG-56 z 25-metrowym przewodem), który można przedłużyć do ok. 200 m stosując standardowy przewód instalacyjny: 6x1,5 mm² dla ETOG i 4x1,5 mm² dla ETOR. Przewód czujnika ETF można przedłużyć do ok. 50 m. Przewody czujników winny być zainstalowane zgodnie z wymogami obowiązującego prawa. W żadnym wypadku nie mogą być poprowadzone równoległe do przewodów elektrycznych, gdyż interferencja elektryczna mogłaby zakłócać sygnał czujnika.

ETO2:

Urządzenie jest przeznaczone do montażu na szynie DIN, na atestowanym panelu.

Montaż ścienny:

Do montażu ściennego czujnika w pomieszczeniu można wykorzystać załączoną pokrywę z tworzywa sztucznego.

Zasilanie należy podłączyć do zacisków N i L.

Wszelkie prace instalacyjne, w tym elektryczne, winny być wykonane zgodnie z obowiązującymi lokalnymi przepisami.

KONFIGURACJA SYSTEMU Z ELEKTRYCZNYM UKŁADEM GRZEWCZYM

- **Kontrola jednostrefowego elektrycznego układu grzewczego za pomocą czujników typu ETOG (rys. 3+6):**

Podłączyć 1 lub 2 czujniki ETOG do zacisków 11-20.

Podłączyć przewód grzewczy do bezpotencjałowych przełączników wyjściowych 1, 2 i 3 w sposób pokazany na rys. 8.

- **Kontrola jednostrefowego elektrycznego układu grzewczego za pomocą czujników typu ETOR + ETF (rys. 4+7):**

Podłączyć 1 lub 2 czujniki ETOR do zacisków 11-20.

Przewody różowy i szary powinny pozostać niepodłączone.

Podłączyć 1 czujnik ETF do zacisków 31-32.

Podłączyć przewód grzewczy do bezpotencjałowych przełączników wyjściowych 1, 2 i 3 w sposób pokazany na rys. 8.

- **Kontrola dwustrefowego elektrycznego układu grzewczego za pomocą czujników typu ETOG (rys. 3+6):**

Podłączyć 2 czujniki ETOG do zacisków 11-20.

Podłączyć przewód grzewczy dla strefy 1 do bezpotencjałowego przełącznika wyjściowego 1 w sposób pokazany na rys. 8.

Podłączyć przewód grzewczy dla strefy 2 do bezpotencjałowego przełącznika wyjściowego 2 w sposób pokazany na rys. 8.

- **Kontrola dwustrefowego elektrycznego układu grzewczego za pomocą czujników typu ETOR (rys. 4+7):**

Podłączyć 2 czujniki ETOR do zacisków 11-20.

Przewody różowy i szary powinny pozostać niepodłączone.

Podłączyć przewód grzewczy dla strefy 1 do bezpotencjałowego przełącznika wyjściowego 1 w sposób pokazany na rys. 8.

Podłączyć przewód grzewczy dla strefy 2 do bezpotencjałowego przełącznika wyjściowego 2 w sposób pokazany na rys. 8.

- **Kontrola dwustrefowego elektrycznego układu grzewczego za pomocą czujników typu ETOG i ETOR (rys. 5+6+7):**

Podłączyć 1 czujnik ETOG do zacisków 11-16 jako czujnik 1.

Podłączyć 1 czujnik ETOR do zacisków 17-20 jako czujnik 2.

Przewody różowy i szary powinny pozostać niepodłączone. Podłączyć przewód grzewczy dla strefy 1 (grunt) do bezpotencjałowego przełącznika wyjściowego 1 w sposób pokazany na rys. 8.

Podłączyć przewód grzewczy dla strefy 2

(dach) do bezpotencjałowego przełącznika wyjściowego 2 w sposób pokazany na rys. 8.

- **Kontrola jednostrefowego elektrycznego układu grzewczego i mocy (Y/Δ) (rys. 6+9+10):**

Zaawansowana dwustopniowa kontrola za pomocą czujnika ETOG. 1/3 mocy przewodów grzewczych w ustawionym czasie ogrzewania po usunięciu lodu.

Podłączyć 1 lub 2 czujniki ETOG do zacisków 11-20 (rys. 6).

Podłączyć zewnętrzny stycznik/przełącznik do bezpotencjałowych przełączników wyjściowych 1, 2 i 3 w sposób pokazany na (rys. 10).

KONFIGURACJA SYSTEMU Z HYDRAULICZNYM UKŁADEM GRZEWCZYM

- **Kontrola jednostrefowego hydraulicznego układu grzewczego w zakresie temperatury cieczy zasilającej za pomocą zaworu mieszającego (rys. 6+11+13+16):**

Podłączyć 1 lub 2 czujniki ETOG do zacisków 11-20 (rys.6).

Podłączyć zasilanie (24 V AC) zaworu mieszającego do zacisków 25-26 (rys. 13). Zawór mieszający podłączyć do zacisków 21-24 (rys.13).

Podłączyć czujniki temperatury cieczy zasilającej i powrotnej ETF-522 do zacisków 27-30 (rys.16).

Podłączyć główną pompę do bezpotencjałowego przełącznika wyjściowego 1 w sposób pokazany na rys. 14.

Podłączyć pompę pomocniczą do bezpotencjałowego przełącznika wyjściowego 2 w sposób pokazany na rys. 14.

- **Kontrola jedno- lub dwustrefowego hydraulicznego układu grzewczego, prosta (rys. 3+6+12):**

Podłączyć 1 lub 2 czujniki ETOG do zacisków 11-20 (rys.6).

Podłączyć pompę obiegową dla strefy 1 do bezpotencjałowego przełącznika wyjściowego 1 w sposób pokazany na rys. 14.

W układzie dwustrefowym: podłączyć pompę obiegową dla strefy 2 do bezpotencjałowego przekaźnika wyjściowego 2 w sposób pokazany na rys. 14.

Wprowadzić ustawienia takie jak dla jednolub dwustrefowego elektrycznego układu grzewczego, patrz Instrukcja obsługi, rozdział Pierwsze uruchomienie.

ZDALNA KONTROLA (rys. 15):

Funkcje wymuszonego ogrzewania i trybu czuwania mogą być zdalnie kontrolowane za pomocą zewnętrznych przycisków/przekaźników (normalnie otwartych) połączonych przewodem z ETO2.

Zewnętrzny przycisk trybu czuwania należy podłączyć do zacisków 33-34.

Zewnętrzny przycisk wymuszonego ogrzewania należy podłączyć do zacisków 35-36.

TEST DZIAŁANIA SYSTEMU PRZECIWOBLODZENIOWEGO

Po ukończeniu montażu i wprowadzeniu ustawień, zalecamy przeprowadzenie testu działania systemu.

1. Ustawić maksymalną wartość SET TEMP (TEMPERATURA USTAWIONA) w menu.
2. Połączyć czujnik ETOG/ETOR niewielką ilością wody.
3. Powinno nastąpić włączenie przekaźnika wyjściowego dla przewodu grzewczego danej strefy, a ETO2 powinien zasignalizować, że ogrzewanie w tej strefie jest uruchomione. Sprawdzić, czy przewód grzewczy staje się ciepły oraz, o ile to możliwe, skontrolować napięcie.
4. Następnie ustawić żądaną wartość SET TEMP (ustawienie fabryczne = +3.0°C / 37.4°F).

OPRZEWODOWANIE (rys.16)

ZACISK	OZNACZENIE KOLORYSTYCZNE	OPRZEWODOWANIE
N, L		Napięcie zasilające, 115-240 V AC 50/60 Hz
1, 2		Przekaźnik alarmowy (bezpotencjałowy), maks. 5 A
3, 4		Przekaźnik wyjściowy 1, 16 A (bezpotencjałowy) Przewód grzewczy 1 (strefa 1) / Pompa główna
5, 6		Przekaźnik wyjściowy 2, 16 A (bezpotencjałowy) Przewód grzewczy 2 (strefa 2) / Pompa pomocnicza
7, 8		Przekaźnik wyjściowy 3, 16 A (bezpotencjałowy) Przewód grzewczy 3
11, 12	brązowy/zielony	Element grzewczy czujników 1+2, ETOG 1+2 i ETOR 1+2
13, 14	szary/różowy	Czujnik temperatury, ETOG 1
15, 16	żółty/biały	Czujnik wilgotności, ETOG 1 / ETOR 1
17, 18	szary/różowy	Czujnik temperatury, ETOG 2
19, 20	żółty/biały	Czujnik wilgotności, ETOG 2 / ETOR 2
21, 22		Trój- lub czterodrożny zawór mieszający, 0-10 V
23, 24		Trój- lub czterodrożny zawór mieszający, 24 V AC
25, 26		24 V AC, zewnętrzne źródło zasilania trój lub czterodrożnego zaworu mieszającego
27, 28		Czujnik temperatury cieczy zasilającej, ETF-522
29, 30		Czujnik temperatury cieczy powrotnej, ETF-522
31, 32		Zewnętrzny czujnik temperatury, ETF
33, 34		Tryb czuwania, wejście zewnętrzne
35, 36		Ogrzewanie wymuszone, wejście zewnętrzne



PRZEWODY CZUJNIKA ETOR:

Przewody różowy i szary powinny pozostać niepodłączone.

OJ nie ponosi odpowiedzialności za ewentualne błędy w katalogach, broszurach i innych materiałach drukowanych. OJ zastrzega sobie prawo do wprowadzania zmian w swoich produktach bez uprzedniego powiadomienia, w tym w produktach już zamówionych, bez zmiany już uzgodnionych specyfikacji. Wszystkie znaki towarowe w tym materiale są własnością dotyczących firm. OJ i logo OJ są znakami towarowymi OJ Electronics A/S. Wszelkie prawa zastrzeżone.

Ochrona środowiska i utylizacja

Chroń środowisko, utylizując opakowanie oraz wyrób w odpowiedzialny sposób.

Utylizacja wyrobu



Produkty oznaczone tym symbolem nie nadają się do utylizacji razem z odpadami z gospodarstwa domowego. Należy je przekazywać do punktów odbioru odpadów zgodnie z obowiązującymi lokalnymi przepisami.

Rysunki

- Rys. 1 Montaż czujnika gruntowego ETOG
 1 Czujnik
 2 Płytki instalacyjna
 3 Element grzewczy
- Rys. 2 Montaż czujnika rynnowego ETOR i zewnętrznego ETF
 1 Kontroler ETO2
 2 Czujnik rynnowy
 3 Czujnik zewnętrzny
- Rys. 3 Jedna strefa, ogrzewanie elektryczne, czujnik ETOG
- Rys. 4 Jedna strefa, ogrzewanie elektryczne, czujnik ETOR/ETF
- Rys. 5 Dwie strefy (dach/grunt), ogrzewanie elektryczne
- Rys. 6 Podłączenie czujnika ETOG
- Rys. 7 Podłączenie czujnika ETOR
- Rys. 8 Przykładowe podłączenie przewodu grzewczego
- Rys. 9 Dwustopniowa regulacja ogrzewania elektrycznego (Y/Δ)
- Rys. 10 Zaawansowane dwustopniowe podłączenie (Y/Δ)

- Rys. 11 Kontrola jednostrefowego hydraulicznego układu grzewczego w zakresie temperatury cieczy zasilającej za pomocą zaworu mieszającego
- Rys. 12 Kontrola jedno- lub dwustrefowego hydraulicznego układu grzewczego, prosta (ustawienia takie jak dla jedno- lub dwustrefowego elektrycznego układu grzewczego)
- Rys. 13 Podłączenie zaworu mieszającego
- Rys. 14 Podłączenie pompy cieczy grzewczej
- Rys. 15 Podłączenie zdalnej kontroli wymuszonego ogrzewania i trybu czuwania
- Rys. 16 Ogólny schemat połączeń kontrolera ETO2



ETO2 er en elektronisk styreenhet for helautomatisk, økonomisk is- og snøsmelting på uteområder og i takrenner.

Is dannes som følge av en kombinasjon av fuktighet og lav temperatur. ETO2 registrerer både temperatur og fuktighet, og is- og snøsmeltesystemet vil normalt bare bli aktivert om det er snø eller is tilstede. ETO2 er egnet for å kontrollere både elektriske varmekabler og varmerør.

Produktprogram

ETO2-4550	Termostat.
ETOG-55	Bakkeføler for registrering av temperatur og fuktighet.
ETOG-56/ETOK-1	Innbygget bakkeføler for registrering av temperatur og fuktighet.
ETOR-55	Takrenneføler for registrering av fuktighet.
ETF-744/99	Uteføler for temperaturregistrering.
ETF-522	Vannrørføler for temperaturregistrering.

ADVARSEL! – Les denne bruksanvisningen!

Les hele denne bruksanvisningen nøye, og legg merke til alle advarslene nedenfor. Vær sikker på at du har forstått bruk, skjærmbilder og begrensninger for styreenheten fullt ut. Enhver forveksling som skyldes at veiledningen i bruksanvisningen ikke er fulgt, eller som skyldes feilaktig bruk av enheten kan medføre at montøren gjør feil. Det kan føre til at det dannes is og snø som kan resultere i alvorlige skader eller dødsfall.

ADVARSEL! – Legg merke til at snø, is og istapper kan være til stede selv om du følger instruksjonene i denne bruksanvisningen.

Vi anbefaler sterkt at du holder øye med uventet dannelse av snø, islag og istapper. Som en ekstra sikkerhetsforanstaltning bør du alltid inspisere offentlig områder for å sikre trygg adgang til det overvåkede området.

ADVARSEL! – Viktige sikkerhetsinstruksjoner.

Koble ut strømmen før installasjons- eller vedlikeholdsarbeid på denne enheten og tilkoblede komponenter. Denne styreenheten og tilkoblede komponenter må bare monteres av kvalifisert personell (dvs. faglært elektroinstallatør). Elektrisk installasjon skal være i overensstemmelse med relevant lovgivning.

MERK! – Utgangsreleene er spenningsfri. Montøren må koble til en strømkilde, f. eks. fra en strømtavle.

CE-MERKING FOR EU

OJ Electronics A/S erklærer under ansvar, at produktet oppfyller Rådets direktiv 2004/108/EC og etterfølgende endringer om elektromagnetisk kompatibilitet, og Rådets direktiv 2006/95/EEC om elektrisk materiell bestemt til bruk innenfor visse spenningsgrenser.

Anvendte standarder

ETO2-4550-EU28:	CE-merking LVD/EMC: EN60730-2-9
ETO2-4550-US28:	CAN/CSA E 60730-2-9:01.
ETO2-4550-RU28:	CE-merking LVD/EMC: EN60730-2-9

Produktet kan bare brukes hvis hele installasjonen oppfyller gjeldende direktiver. Produktet omfattes av en produsentgaranti hvis det er montert i overensstemmelse med denne veiledningen og gjeldende forskrifter.

Hvis produktet har blitt skadet på noen måte, f.eks. under transport, må det inspiseres og kontrolleres av autorisert personell før det kobles til strømnettet.

TEKNISKE DATA

Termostat ETO2-4550:

Kun beregnet for innendørs montering!
 Nettspenning 115/240 V AC $\pm 10\%$, 50-60 Hz
 Nettspenning for ETOG/ETOR varme (SMPS).....28 V DC, 8 VA
 3 utgangsreleer (potensialfri kontakt, NO).....3 X 16 A
 Alarmrelé (potensialfri kontakt, NO)..... maks. 5 A
 Styresignal til styreelement (shuntventil) 0-10 V DC
 Nettspenning til aktuator (shuntventil) maks. 48 V AC/DC / maks. 2 A
 På/av differensial 1,8 °F / 1 °C
 Temperaturområde -4/+50 °F / -20/+10 °C
 Omgivelsestemperatur 32/122 °F / 0/+50 °C
 Fuktighet, uteluft..... 10-95 %
 Kapslingsklasse.....IP 20
 Vekt 600 g
 Mål H/B/D.....90/156/45 mm
 Type.....1B
 Forurensningsgrad.....2
 Nominell inngangsspenning 4 kV

Bakkeføler type ETOG-55:

Konstruert til innbygning i utendørs overflater.
 RegistreringFuktighet og temperatur
 Montasje..... Utendørs overflater
 Kapslingsklasse.....IP 68
 Omgivelsestemperatur . -57/+158 °F / -50/+70 °C
 Mål.....H32, Ø60 mm

Bakkeføler - ETOG-56/ETOK-1:

Konstruert til innbygning i utendørs overflater.
 RegistreringFuktighet og temperatur
 Montasje..... Utendørs overflater
 Kapslingsklasse.....IP 68
 Omgivelsestemperatur -57/+158 °F / -50/+70 °C
 Mål, følerH32, Ø60 mm
 Mål, rørH78, Ø63,5 mm

Takrenneføler - type ETOR-55:

Konstruert til montering i takrenne eller nedløpsrør. Brukes sammen med utendørs føler, type ETF-744/99.
 Registrering Fuktighet
 Montasje.....Takrenne eller nedløpsrør
 Kapslingsklasse.....IP 68
 Omgivelsestemperatur . -57/+158 °F / -50/+70 °C
 Mål H/B/D.....105/30/13 mm

Utendørs føler - ETF-744/99:

Registrering Temperatur
 Montasje.....Vegg
 Kapslingsklasse.....IP 54
 Omgivelsestemperatur . -57/+158 °F / -50/+70 °C
 Mål H/B/D.....86/45/35 mm

Vannrørføler - ETF-522:

Registrering Temperatur
 Montasje..... Spent fast på røret
 Kapslingsklasse.....IP 54
 Omgivelsestemperatur -40/+248 °F / -40/+120 °C
 Mål.....
 Ø6,5, L50 mm



MERK: Smeltesystemet for snø og is blir deaktivert ved følerfeil - uavhengig av følertype.

FØLERINSTALLASJON

Bakkeføler ETOG, fig. 1+3:

For installasjon på utendørs overflater hvor is og snø er et vanlig problem. Føleren må monteres horisontalt med toppen i plan med omgivende overflate.
 Følerkabelen må installeres i overensstemmelse med gjeldende forskrifter.
MERK: Vi anbefaler sterkt bruk av kabelrør for å beskytte følerkabelen. Detaljert monteringsveiledning følger med føleren.
 Bruk medfølgende monteringsplate med ETOG-55.
 Bruk ETOK-1 montagesett med ETOG-56.



MERK: Fjern monteringsplaten fra ETOG-55 før første start.

Takrenneføler – ETOR, fig. 2+4:

Til installasjon i takrenne eller nedløpsrør på solsiden av bygning. Det er viktig å sikre at følerens kontaktflate vender mot strømmen av smeltevann. Om nødvendig kan to følere parallellkobles. Detaljert monteringsveiledning følger med føleren.



Legg merke til at lyserød og grå ledning ikke skal monteres.

Utendørs føler – ETF-744/99, fig. 2+4:

Selv om ETF er beregnet for bruk med takrenneføler ETOR, kan den også brukes separat for registrering av kun temperatur. Føleren bør monteres på veggen under takutstikk på nordsiden av bygning.

Vannrørføler – ETF-522:

Brukes bare med vannbårne varmesystemer for å registrere temperaturen i tur- og returvann. Må festes direkte til røret med strips.

Følerkabler:

Med unntak for ETOG-56, som har en 25 m kabel, er ETOG- og ETOR-følerne utstyrt med en 10 m kabel, som kan forlenges opptil ca. 200 m med standard installasjonskabel, 6x1,5 mm² for ETOG og 4x1,5 mm² for ETOR. ETF-kabel kan forlenges opptil ca. 50 m lengde. Følerkabler må installeres i overensstemmelse med gjeldende forskrifter. De må aldri installeres parallelt med strømkabler, siden elektrisk interferens kan forvrenge følersignalet.

ETO2:

Enheten er beregnet til montering på en DIN-skinne i et godkjent panel.

Veggmontasje:

Medfølgende plastdeksel kan brukes ved veggmontering innendørs.

Koble tilførselsspennning til klemme N og L. Alle elektriske og mekaniske installasjoner skal være utført i overensstemmelse med lokale bestemmelser.

OPPSETT, ELEKTRISK OPPVARMING

- **1-soner elektrisk varmeregulering med ETOG (fig. 3+6):**

Koble 1 eller 2 ETOG-følere til klemme 11–20.

Koble varmekabel til potensialfritt utgangsrelé 1, 2 og 3 iht. til fig. 8.

- **1-soner elektrisk varmeregulering med ETOR + ETF (fig. 4+7):**

Koble 1 eller 2 ETOR-følere til klemme 11–20. Legg merke til at lyserød og grå ledning ikke skal monteres.

Koble 1 ETF-føler til klemme 31–32.

Koble varmekabel til potensialfritt utgangsrelé 1, 2 og 3 iht. til fig. 8.

- **2-soner elektrisk varmeregulering med ETOG (fig. 3+6):**

Koble 2 ETOG-følere til klemme 11–20 iht. til fig. 6.

Koble varmekabel for sone 1 til potensialfritt utgangsrelé 1 iht. fig. 8.

Koble varmekabel for sone 2 til potensialfritt utgangsrelé 2 iht. fig. 8.

- **2-soner elektrisk varmeregulering med ETOR (fig. 4+7):**

Koble 2 ETOR-følere til klemme 11–20 iht. til fig. 6.

Legg merke til at lyserød og grå ledning ikke skal monteres.

Koble varmekabel for sone 1 til potensialfritt utgangsrelé 1 iht. fig. 8.

Koble varmekabel for sone 2 til potensialfritt utgangsrelé 2 iht. fig. 8.

- **2-soner elektrisk varmeregulering med ETOG og ETOR (fig. 5+6+7):**

Koble 1 ETOG-føler til klemme 11–16 som føler 1.

Koble 1 ETOR-føler til klemme 11–20 som føler 2.

Legg merke til at lyserød og grå ledning ikke skal monteres. Koble varmekabel for sone 1 (bakke) til potensialfritt utgangsrelé 1 iht. fig. 8. Koble varmekabel for sone 2 (tak) til potensialfritt utgangsrelé 2 iht. fig. 8.

- **1-sone elektrisk varmeregulering med effektregulering (Y/Δ) (fig. 6+9+10):**

Avansert 2-trinns styring med ETOG. 1/3 effekt på varmekabler ved ettervarme.

Koble 1 eller 2 ETOG-følere til klemme 11–20 iht. til fig. 6.

Koble eksterne kontaktor/reléer til potensialfritt utgangsrelé 1, 2 og 3 iht. til fig. 10.

OPPSETT, VANNBÅRET OPPVARMING

- **1-sone væskebasert varmeregulering for regulering av turvannstemp. med shuntventil (fig. 6+11+16):**

Koble 1 eller 2 ETOG-følere til klemme 11–20. Koble nettspenning (24 V AC) til shuntventil til klemme 25 – 26 (fig. 13).

Koble shuntventil til klemme 21–24 (fig. 13).

Koble ETF-522 tur- og returfølere til klemme 27–30 (fig. 16).

Koble primær pumpe til potensialfritt utgangsrelé 1 i henhold til fig. 14.

Koble sekundær pumpe til potensialfritt utgangsrelé 2 i henhold til fig. 14.

- **1- eller 2-sone enkel styring for vannbåret varme (fig. 3+6+12)**

Koble 1 eller 2 ETOG-følere til klemme 11–20 (fig. 6).

Koble sirkulasjonspumpe for sone 1 til potensialfritt utgangsrelé 1 iht. fig. 14.

Hvis sone 2 er i bruk, kobles sirkulasjonspumpe for sone 2 til potensialfritt utgangsrelé 2 i henhold til fig. 14.

Samme oppsetting som for 1- eller 2-sone elektrisk varmeregulering, se Bruksanvisning, Oppstart.

FJERNSTYRING (fig. 15):

Tvungen varme og standby-funksjonen kan fjernstyres med kabler fra ETO2 til eksterne knapper/releer (normalt åpen).

Koble eksterne standby-knapp til klemme 33–34.

Koble eksterne knapp for styring av tvungen varme til klemme 35-36.

TEST AV SNØSMELTESYSTEM

Etter montering og oppsetting anbefales det å teste snøsmeltesystemet.

1. Juster SET TEMP [innstilt temperatur] i oppsettsmenyen til maks. temperatur.
2. Hell vann på føleren (ETOG/ETOR).
3. Utgangsreléet for varmekabelen i den sonen det gjelder, skal aktiveres, og ON [på] skal vises på displayet til ETO2. Kontroller at varmekabelen blir varm; kontroller om mulig spenningen.
4. Etter testing justeres SET TEMP [innstilt temperatur] tilbake til ønsket innstilling (fabrikkinnstilling = +3,0 °C / 37,4 °F).

KABLING (fig. 16)

KLEMMER	FARGEKODE	KABLING
N, L		Nettspenning, 115–240 V AC 50/60 Hz
1, 2		Alarmrelé (spenningsfritt) maks. 5 A
3, 4		Utgangsrelé 1, 16 A (spenningsfritt), Varmekabel 1 (sone 1) / Primær pumpe
5, 6		Utgangsrelé 2, 16 A (spenningsfritt), Varmekabel 2 (sone 2) / Sekundær pumpe
7, 8		Utgangsrelé 3, 16 A (potensialfritt), Varmekabel 3
11, 12	brun/grønn	Føleroppvarming 1+2, ETOG 1+2 og ETOR 1+2
13, 14	grå/lyserød	Temperaturløper, ETOG 1
15, 16	gul/hvit	Fuktighetsføler 1, ETOG 1/ETOR 1
17, 18	grå/lyserød	Temperaturløper, ETOG 2
19, 20	gul/hvit	Fuktighetsføler 2, ETOG 2/ETOR 2
21, 22		3- eller 4-veis shuntventil, 0-10 V
23, 24		3- eller 4-veis shuntventil, 24 V AC
25, 26		24 V AC fra ekstern forsyning for 3- eller 4-veis shuntventil
27, 28		Turvannstemperaturløper, ETF-522
29, 30		Returvannstemperaturløper, ETF-522
31, 32		Utetemperaturløper, ETF
33, 34		Standby, ekstern inngang
35, 36		Tvungen varme, ekstern inngang

**ETOR FØLERKABLER:**

Legg merke til at lyserød og grå ledning ikke skal monteres.

OJ kan ikke ta på seg ansvar for eventuelle feil i kataloger, brosjyrer og annet trykt materiale. OJ forbeholder seg retten til å gjøre endringer på produktene uten forutgående varsel. Dette gjelder også produkter som allerede er bestilt så lenge disse endringene kan utføres uten at det medfører endringer i spesifikasjoner som allerede er avtalt. Alle varemerker i dette materialet tilhører respektive selskaper. OJ og logotypen til OJ er varemerker som tilhører OJ Electronics A/S. Ettertrykk forbudt.

Miljøvern og gjenbruk

Sorg for å behandle emballasje og overflødige deler på en ansvarlig måte for å verne miljøet.

Avfallshåndtering

Produkter merket med dette symbolet må ikke avhendes sammen med husholdningsavfall, men må leveres til en avfallsinnsamlingsordning i overensstemmelse med gjeldende lokalt regelverk.

Illustrasjoner

Fig. 1 Installasjon av ETOG bakkeføler

- 1 Føler
- 2 Monteringsplate
- 3 Varmeelement

Fig. 2 Installasjon av ETOR takrenneføler og ETF utendørsføler

- 1 Termostat ETO2
- 2 Takrenneføler
- 3 Utendørsføler

Fig. 3 1-sone elektrisk varmeregulering med ETOG-føler

Fig. 4 1-sone elektrisk varmeregulering med ETOR/ETF-føler

- Fig. 5 2 soner, eksempel med tak/bakke
- Fig. 6 ETOG-tilkobling
- Fig. 7 ETOR-tilkobling
- Fig. 8 Varmekabeltilkobling, eksempel
- Fig. 9 2 trinns elektrisk varmestyring (Y/ Δ)
- Fig. 10 Avansert 2-trinns tilkobling (Y/ Δ)
- Fig. 11 1-sone væskebasert varmeregulering for regulering av turvannstemp. med shuntventil
- Fig. 12 1- eller 2-sone enkel styring for vannbåret varme, (samme oppsetting som styring av 1- eller 2-sone elektrisk varmeregulering)
- Fig. 13 Shuntventilkobling
- Fig. 14 Pumpe-tilkobling
- Fig. 15 Fjerntilkobling av standby og tvungen varme
- Fig. 16 ETO2 styreenhet, klemmeoversikt



Français Instruction





ETO2 est un contrôleur électronique pour la fonte totalement automatique et économique de la glace et la neige sur les surfaces extérieures et dans les gouttières.

La glace se forme en cas de basses températures et d'humidité. L'ETO2 détecte autant la température que l'humidité et le système de fonte de glace et de neige ne sera habituellement activé que si de la neige ou de la glace sont présentes. L'ETO2 est adéquat pour contrôler des câbles chauffants électriques et des conduites de chauffage hydroniques.


Gamme de produits

ETO2-4550	Thermostat.
ETOG-55	Sonde de sol pour détecter l'humidité et la température.
ETOG-56/ETOK-1	Sonde de sol encastrée pour détecter l'humidité et la température.
ETOR-55	Sonde de gouttière pour détecter l'humidité.
ETF-744/99	Sonde extérieure pour détecter la température.
ETF-522	Sonde de conduite d'eau pour détecter la température.


 **ATTENTION! – Lisez ce manuel !**
Lisez attentivement tout ce manuel d'instruction en portant attention à tous les avertissements cités plus bas. Assurez-vous de bien comprendre l'utilisation, les affichages et les limites du contrôleur, car toute confusion découlant de la négligence de suivre ce manuel d'instruction, ou d'un usage incorrect de l'appareil concerné, peut entraîner l'installateur à commettre des erreurs qui peuvent conduire à des conditions de glace et de neige pouvant entraîner de sérieuses blessures ou la mort.

 **ATTENTION! – Notez que de la neige, de la glace et des glaçons peuvent être présents même si vous suivez les instructions contenues dans ce manuel.**

Nous vous incitons fortement à contrôler toute accumulation inattendue de neige, de glace ou de glaçons. Comme mesure de protection supplémentaire, vous devriez toujours effectuer une inspection manuelle des endroits publics afin d'assurer la sécurité de l'accès aux endroits contrôlés.

 **ATTENTION! – Instructions importantes pour la sécurité.**

L'alimentation doit être débranchée avant toutes interventions d'installation ou d'entretien de cet appareil et ses composants. Cet appareil de contrôle et ses composants doivent être installés par une personne qualifiée (c.-à-d. un électricien qualifié). L'installation électrique doit être conforme aux réglementations en vigueur.

 **NOTE ! – Les relais de sortie sont libres de potentiel. L'installateur doit raccorder une source d'alimentation, par ex. d'un panneau électrique.**

MARQUAGE EC POUR UE

OJ Electronics A/S déclare par la présente que le produit est fabriqué conformément à la Directive 2004/108/CE du conseil (et des amendements subséquents) à propos de la compatibilité électromagnétique et de la Directive 2006/95/CE du conseil à propos des équipements électriques conçus avec certaines limites de tension.

Normes appliquées

ETO2-4550-EU28: Marquage CE LVD/EMC : EN60730-2-9

ETO2-4550-US28: CAN/CSA E 60730-2-9:01.
 ETO2-4550-RU28: Marquage CE LVD/EMC :
 EN60730-2-9

Température ambiante...-57/+158 °F / -50/+70 °C
 Dimensions.....H 32, Ø 60 mm

Ce produit ne peut être utilisé que si toute son installation respecte les présentes directives.

Le produit est garanti par le fabricant s'il est installé conformément aux instructions et à la réglementation courante.

Si le produit a été endommagé de quelque manière que ce soit, par exemple lors du transport, il doit être contrôlé et vérifié par du personnel autorisé avant tout raccordement à l'alimentation électrique.

CARACTÉRISTIQUES TECHNIQUES

Thermostat ETO2-4550:

Conçu pour un montage intérieur uniquement !
 Tension d'alimentation..... 115/240 V CA \pm 10 %, 50-60 Hz
 Tension d'alimentation pour chauffage ETOG/ETOR (SMPS)..... 28 V CC, 8 VA
 3 relais de sortie
 (contact libre de potentiel, NO) 3 X 16 A
 Relais d'alarme
 (contact libre de potentiel, NO) max. 5 A
 Signal de contrôle vers l'actionneur (robinet mélangeur)..... 0-10 V CC
 Tension d'alimentation de l'actionneur (vanne de mélange) .max. 48 V CA/CC / max. 2 A
 Différentiel « on/off » [marche-arrêt]. 1,8 °F / 1 °C
 Plage de température -4/+50 °F / -20/+10 °C
 Température ambiante..... 32/122 °F / 0/+50 °C
 Humidité de l'air ambiant 10-95 %
 Norme du boîtier..... IP 20
 Poids..... 600 g
 Dimensions H/L/P90 / 156 / 45 mm
 Type.....1B
 Degré de contrôle de la pollution 2
 Tension de choc nominale..... 4 kV

Sonde de sol - type ETOG-55 :

Conçue pour être encastrée dans des surfaces extérieures.
 Détection Humidité et température
 Montage Surfaces extérieures
 Norme du boîtier..... IP 68

Sonde de sol - ETOG-56/ETOK-1 :

Conçue pour être encastrée dans des surfaces extérieures.
 Détection Humidité et température
 Montage Surfaces extérieures
 Norme du boîtier..... IP 68
 Température ambiante ..-57/+158 °F / -50/+70 °C
 Dimensions, sondeH 32, Ø 60 mm
 Dimensions, tubeH78, Ø 63,5 mm

Sonde de gouttière - type ETOR-55 :

Conçue pour être montée dans une gouttière ou dans le tuyau de descente d'eaux pluviales. Est utilisée avec la sonde extérieure ETF-744/99.
 Détection Humidité
 Montage Gouttière ou tuyau de descente d'eaux pluviales
 Norme du boîtier..... IP 68
 Température ambiante...-57/+158 °F / -50/+70 °C
 Dimensions H/L/P105 / 30 / 13 mm

Sonde d'extérieure - ETF-744/99 :

Détection Température
 Montage Mural
 Norme du boîtier..... IP 54
 Température ambiante...-57/+158 °F / -50/+70 °C
 Dimensions H/L/P86 / 45 / 35 mm

Sonde de conduite d'eau - ETF-522 :

Détection Température
 Montage Sanglée sur la conduite
 Norme du boîtier..... IP 54
 Température ambiante-40/+248 °F / -40/+120 °C
 Dimensions Ø 6.5, L 50 mm



NOTE : Le système de fonde de la neige et de la glace est désactivé si une sonde tombe en panne - peu importe le type de sonde.

INSTALLATION DE LA SONDE

Sonde de sol - ETOG, fig. 1+3 :

Pour installation dans les surfaces extérieures où la glace et la neige sont un problème récurrent. La sonde doit être encastrée à l'horizontale avec le dessus affleurant la surface.

Le câble de la sonde doit être installé conformément aux règles en vigueur.

REMARQUE : Nous recommandons fortement l'utilisation de conduites électriques pour protéger le câble de la sonde. Des instructions détaillées pour l'installation sont fournies avec la sonde.

Avec l'ETOG-55, utilisez la plaque d'installation qui l'accompagne.

Avec l'ETOG-56, utilisez le kit de montage ETOK-1.



REMARQUE : Enlevez la plaque d'installation de l'ETOG-55 avant le démarrage initial.

Sonde de gouttière - ETOR, fig. 2+4 :

Pour installation dans une gouttière ou un tuyau de descente d'eaux pluviales du côté ensoleillé du bâtiment. Il est important de s'assurer que les éléments contacts de la sonde font face au flux de l'eau de fonte. Si nécessaire, deux sondes peuvent être installées en parallèle. Des instructions détaillées pour l'installation sont fournies avec la sonde.



Notez que les fils gris et rose ne sont pas utilisés.

Sonde d'extérieure - ETF-744/99, fig. 2+4 :

Bien que l'ETF soit conçue pour être utilisée avec la sonde de gouttière ETOR, elle peut aussi être utilisée séparément pour la détection de température seule. La sonde doit être montée sur le mur, sous l'avant-toit du côté nord du bâtiment.

Sonde de conduite d'eau - ETF-522 :

N'est utilisée qu'avec les systèmes de chauffage hydroniques pour détecter la température des eaux d'alimentation et de retour. Elle doit être fixée directement sur la conduite avec les bandes.

Câbles des sondes:

Sauf pour ETOG-56 dont le câble mesure 25 m, les sondes ETOG et ETOR sont fournies avec des câbles de 10 m qui peuvent être allongés jusqu'à environ 200 m en utilisant un câble

standard d'installation : 6x1.5 mm² pour ETOG et 4x1.5 mm² pour ETOR. Le câble ETF peut être allongé à environ 50 m de longueur. Les câbles des sondes doivent être installés conformément aux règles en vigueur. Ils ne doivent jamais être installés en parallèle à des câbles de puissance, car de l'interférence électrique peut altérer le signal de la sonde.

ETO2:

L'appareil est conçu pour un montage sur rail DIN dans une armoire homologuée.

Montage mural :

Le couvercle en plastique inclus peut être utilisé pour un montage mural à l'intérieur.

Raccorder la tension d'alimentation aux bornes N et L. Toute installation électrique et mécanique doit être exécutée conformément aux règles locales applicables.

MONTAGE, CHAUFFAGE ÉLECTRIQUE

- **Contrôle de chauffage électrique 1-zone avec ETOG (fig. 3+6) :**

Raccordez 1 ou 2 sondes ETOG aux bornes 11-20.

Raccordez le câble chauffant aux relais de sortie libres de potentiel 1, 2 et 3 selon la fig. 8.

- **Contrôle de chauffage électrique 1-zone avec ETOR + ETF (fig. 4+7) :**

Raccordez 1 ou 2 sondes ETOR aux bornes 11-20.

Soyez conscient que les fils gris et rose ne sont pas à installer.

Raccordez 1 sonde ETF aux bornes 31-32.

Raccordez le câble chauffant aux relais de sortie libres de potentiel 1, 2 et 3 selon la fig. 8.

- **Contrôle de chauffage électrique 2-zone avec ETOG (fig. 3+6) :**

Raccordez 2 sondes ETOG aux bornes 11-20. Raccordez le câble de chauffage pour la zone 1 au relais 1 de sortie libre de potentiel selon la fig. 8.

Raccordez le câble de chauffage pour la zone 2 au relais 2 de sortie libre de potentiel selon la fig. 8.

- **Contrôle de chauffage électrique 2-zone avec ETOR (fig. 4+7) :**
Raccordez 2 sondes ETOR aux bornes 11-20. Soyez conscient que les fils gris et rose ne sont pas à installer.
Raccordez le câble de chauffage pour la zone 1 au relais 1 de sortie libre de potentiel selon la fig. 8.
Raccordez le câble de chauffage pour la zone 2 au relais 2 de sortie libre de potentiel selon la fig. 8.
- **Contrôle de chauffage électrique 2-zone avec ETOG et ETOR (fig. 5+6+7) :**
Raccordez 1 sonde ETOG aux bornes 11-16 comme sonde 1.
Raccordez 1 sonde ETOR aux bornes 17-20 comme sonde 2.
Soyez conscient que les fils gris et rose ne sont pas à installer.
Raccordez le câble de chauffage pour la zone 1 (sol) au relais 1 de sortie libre de potentiel selon la fig. 8.
Raccordez le câble de chauffage pour la zone 2 (toit) au relais 2 de sortie libre de potentiel selon la fig. 8.
- **Contrôle de chauffage électrique 1-zone avec contrôle de sortie (Y/ Δ) (fig. 6+9+10) :**
Contrôle avancé 2 étapes avec ETOG. 1/3 de la puissance aux câbles chauffants en post-chauffage.
Raccordez 1 ou 2 sondes ETOG aux bornes 11-20.
Raccordez les contacteurs/relais externes aux relais de sorties libres de potentiel 1, 2 et 3 selon la fig. 10.

MONTAGE, CHAUFFAGE HYDRONIQUE

- **Contrôle du chauffage hydronique 1-zone pour le contrôle de la température d'eau d'alimentation par le robinet mélangeur (fig. 6+11+13+16) :**
Raccordez 1 ou 2 sondes ETOG aux bornes 11-20 (fig. 6).
Raccordez l'alimentation externe de tension (24 V CA) pour le robinet mélangeur aux

bornes 25-26 (fig. 13).

Raccordez le robinet mélangeur aux bornes 21-24 (fig. 13).

Raccordez les sondes d'alimentation et de retour ETF-522 aux bornes 27-30 (fig.16).

Raccordez la pompe primaire au relais 1 de sortie libre de potentiel selon la fig. 14.

Raccordez la pompe secondaire au relais 2 de sortie libre de potentiel selon la fig. 14.

- **Contrôle simple de chauffage hydronique 1 ou 2 zones (fig. 3+6+12)**

Raccordez 1 ou 2 sondes ETOG aux bornes 11-20 (fig. 6).

Raccordez la pompe de circulation pour la zone 1 au relais 1 de sortie libre de potentiel selon la fig. 14.

Si la zone 2 est utilisée, raccordez la pompe de circulation pour la zone 2 au relais 2 de sortie libre de potentiel selon la fig. 14.

Même montage d'application que pour chauffage électrique 1- ou 2-zones, voir le manuel de l'utilisateur, démarrage.

CONTRÔLE À DISTANCE (fig. 15):

Les fonctions de chauffage forcé et de mise en attente peuvent être contrôlées à distance en câblant des boutons/relais (normalement ouvert) externes à l'ETO2.

Raccordez le bouton externe de mise en attente aux bornes 33-34.

Raccordez le bouton externe de contrôle du chauffage forcé aux bornes 35-36.

ESSAI DU SYSTÈME DE FONTE DE LA NEIGE

Après l'installation et le réglage de l'application, il est recommandé de tester le système de fonte de neige.

1. Réglez « SET TEMP » [réglage de température] dans le menu de réglage à la température maximum.
2. Versez un peu d'eau sur la sonde (ETOG/ETOR).
3. Le relais de sortie pour le câble chauffant de la zone concernée devrait être activé et l'affichage de l'ETO2 devrait indiquer « ON »

[en marche]. Vérifiez que le câble chauffant devient chaud et vérifiez la tension si possible.

4. Après le test, réglez « SET TEMP » [réglage de température] à la valeur souhaitée (réglage d'usine = +3,0 °C / 37,4 °F).

CONNEXIONS (fig. 16)

BORNES	CODE DE COULEUR	CONNEXIONS
N, L		Tension d'alimentation, 115-240 V CA 50/60 Hz
1, 2		Relais d'alarme (libre de potentiel) max. 5 A
3, 4		Relais de sortie 1, 16 A (libre de potentiel), Câble chauffant 1 (zone 1) / Pompe primaire
5, 6		Relais de sortie 2, 16 A (libre de potentiel), Câble chauffant 2 (zone 2) / Pompe secondaire
7, 8		Relais de sortie 3, 16 A (libre de potentiel), câble chauffant 3
11, 12	brun/vert	Chauffage de sonde 1+2, ETOG 1+2 et ETOR 1+2
13, 14	gris/rose	Sonde de température, ETOG 1
15, 16	jaune/blanc	Sonde d'humidité 1, ETOG 1/ ETOR 1
17, 18	gris/rose	Sonde de température, ETOG 2
19, 20	jaune/blanc	Sonde d'humidité 2, ETOG 2/ ETOR 2
21, 22		Robinet mélangeur 3/4 voies, 0-10 V
23, 24		Robinet mélangeur 3/4 voies, 24 V CA
25, 26		24 V CA d'une source externe pour robinet mélangeur 3/4 voies
27, 28		Sonde de température d'eau d'alimentation, ETF-522
29, 30		Sonde de température d'eau de retour, ETF-522
31, 32		Sonde de température extérieure, ETF
33, 34		En attente, entrée externe
35, 36		Contrôle de chaleur forcé, entrée externe



FILS DE SONDE ETOR :

Soyez conscient que les fils gris et rose ne sont pas à installer.

OJ décline toute responsabilité quant aux erreurs éventuelles dans les catalogues, les brochures et d'autres supports imprimés. OJ se réserve le droit de modifier ses produits sans préavis. Cela s'applique également aux produits déjà en commande à condition que ces modifications n'entraînent pas de changements nécessaires aux spécifications qui ont déjà été convenues. Toutes les marques de commerce dans le présent support sont la propriété des sociétés respectives. OJ et le logotype OJ sont des marques de commerce détenues par OJ Electronics A/S. Tous droits réservés.

Protection de l'environnement et recyclage

Aidez à la protection de l'environnement en jetant l'emballage et les produits superflus de façon responsable.

Mise au rebut de produits



Les produits identifiés par ce symbole ne doivent pas être rebutés avec les déchets domestiques, mais doivent être livrés à un centre de collecte de déchets conformément aux règlements locaux applicables.

Schémas

- Fig. 1 Installation de la sonde de sol ETOG
1 Sonde
2 Plaque d'installation
3 Élément chauffant
- Fig. 2 Installation de la sonde de gouttière ETOR et de la sonde extérieure ETF
1 Thermostat ETO2
2 Sonde de gouttière
3 Sonde extérieure
- Fig. 3 Chauffage électrique d'une zone avec la sonde ETOG
- Fig. 4 Chauffage électrique d'une zone avec la sonde ETOR/ETF
- Fig. 5 Chauffage électrique de deux zones (toit/sol)
- Fig. 6 Connexion ETOG
- Fig. 7 Connexion ETOR
- Fig. 8 Raccordement du câble chauffant, exemple
- fig. 9 Contrôle de chauffage électrique 2 étapes (Y/Δ)
- Fig. 10 Connexion avancée 2 étapes (Y/Δ)
- fig. 11 Contrôle du chauffage hydronique 1-zone pour le contrôle de la température d'eau d'alimentation par le robinet mélangeur
- fig. 12 Contrôle simple de chauffage hydronique 1 ou 2 zones (même montage d'application que pour le contrôle de chauffage électrique pour 1 ou 2 zones)
- fig. 13 Raccordement robinet mélangeur hydronique
- fig. 14 Raccordement pompe hydronique
- fig. 15 Raccordement des fonctions à distance de mise en attente et chauffage forcé
- fig. 16 Contrôleur ETO2, vue d'ensemble raccordement



Italiano

Istruzioni



ETO2 è un controller elettronico che consente una liquefazione economica e completamente automatica di ghiaccio e neve su superfici esterne e nelle grondaie.

La formazione del ghiaccio è dovuta a una combinazione di temperature basse e di umidità. ETO2 rileva sia la temperatura che l'umidità, e generalmente il sistema di liquefazione della neve verrà attivato soltanto in presenza di neve o ghiaccio. ETO2 è adatto al controllo di cavi riscaldanti elettrici o di tubi per riscaldamento idronici.

Gamma di prodotti

ETO2-4550	Termostato.
ETOG-55	Sensore da terreno per la rilevazione di temperatura e umidità.
ETOG-56/ETOK-1	Sensore incorporato nel terreno per la rilevazione di umidità e temperatura.
ETOR-55	Sensore a grondaia per la rilevazione dell'umidità.
ETF-744/99	Sensore da esterni per la rilevazione della temperatura.
ETF-522	Sensore per tubi d'acqua per la rilevazione della temperatura.



ATTENZIONE! – Leggere questo manuale!

Leggere attentamente il presente manuale di istruzioni prestando scrupolosa attenzione a tutte le avvertenze elencate più sotto. Accertarsi di avere perfettamente compreso le informazioni riguardo l'uso, le indicazioni visive e le limitazioni del controller, poiché una possibile confusione dovuta alla mancata osservanza di quanto indicato nel presente manuale di istruzioni o a un

uso improprio di questo dispositivo può essere causa di errori di installazione che possono portare a condizioni di neve e ghiaccio in grado di provocare gravi lesioni o addirittura la morte.



ATTENZIONE! – Si presti attenzione a fatto che anche rispettando le istruzioni contenute nel manuale potrebbero comunque essere presenti neve, ghiaccio e ghiaccioli.

Si raccomanda vivamente di tenere d'occhio qualsiasi formazione imprevista di neve, strati di ghiaccio o ghiaccioli. Come misura di sicurezza supplementare, l'utente è sempre tenuto ad ispezionare manualmente le zone pubbliche per garantire un accesso sicuro alle zone controllate.



ATTENZIONE! – Importanti istruzioni relative alla sicurezza.

Prima di iniziare qualsiasi lavoro di installazione o di manutenzione di questa unità di controllo e dei relativi componenti, disinserire sempre l'alimentazione elettrica. L'installazione di questa unità di controllo e dei relativi componenti deve essere effettuata esclusivamente da una persona competente (un elettricista qualificato). L'installazione elettrica deve essere eseguita in conformità alle norme locali vigenti.



NOTA BENE! – Non vi è tensione sui relè di uscita. L'installatore deve collegare l'alimentazione elettrica, ad esempio da un pannello di alimentazione.

CONTRASSEGNO CE PER L'UNIONE EUROPEA

Con la presente, OJ Electronics A/S dichiara che il prodotto è costruito in conformità alla Direttiva 2004/108/CE del Consiglio relativa alla compatibilità elettromagnetica (e successivi

emendamenti), nonché alla Direttiva 2006/95/CEE del Consiglio relativa alle apparecchiature elettriche progettate per l'uso entro determinati limiti di tensione.

Standard applicati

ETO2-4550-EU28:	Contrassegno CE LVD/EMC: EN60730-2-9
ETO2-4550-US28:	CAN/CSA E 60730-2-9:01.
ETO2-4550-RU28:	Contrassegno CE LVD/EMC: EN60730-2-9

L'uso del prodotto è consentito solo se l'intera installazione è conforme alle direttive vigenti.

Il prodotto usufruisce della garanzia del fabbricante solo se è stato installato in conformità alle presenti istruzioni e alle norme vigenti.

Nel caso il prodotto abbia subito danni di qualsiasi genere, ad esempio durante il trasporto, prima di essere collegato all'alimentazione elettrica deve essere ispezionato e controllato da personale autorizzato.

SPECIFICHE TECNICHE

Termostato ETO2-4550:

Progettato unicamente per montaggio in interni!
Tensione di alimentazione ... 115/240 V c.a. $\pm 10\%$, 50-60 Hz
Tensione di alimentazione per riscaldamento ETOG/ETOR (SMPS).....28 V c.c., 8 VA
3 relè di uscita (contatto a potenziale zero, normalmente aperto)3 X 16 A
Relè di allarme (contatto a potenziale zero, normalmente aperto) max. 5 A
Segnale di controllo all'attuatore (valvola di miscelazione).....0-10 V c.c.
Tensione di alimentazione all'attuatore (valvola di miscelazione) max. 48 V c.a./c.c. / max. 2 A
Differenziale on/off..... 1.8 °F / 1 °C
Intervallo di temperatura...-4/+50 °F / -20/+10 °C
Temperatura ambiente..... 32/122 °F / 0/+50 °C
Umidità aria ambiente 10-95 %
Scatola di protezione.....IP 20

Peso..... 600 g
Dimensioni Alt./Largh./Prof.90/156/45 mm
Modello.....1B
Grado di inquinamento..... 2
Tensione nominale impulsi 4 kV

Sensore da terreno - modello ETOG-55:

Progettato per essere incorporato in superfici esterne.
Rivelazione Umidità e temperatura
MontaggioIn zone esterne
Scatola di protezione.....IP 68
Temperatura ambiente..-57/+158 °F / -50/+70 °C
Dimensioni..... Alt.32, Ø60 mm

Sensore da terreno - ETOG-56/ETOK-1:

Progettato per essere incorporato in superfici esterne.
RivelazioneDi umidità e temperatura
MontaggioIn zone esterne
Scatola di protezione.....IP 68
Temperatura ambiente..-57/+158 °F / -50/+70 °C
Dimensioni, sensore..... Alt.32, Ø60 mm
Dimensioni, tubo Alt.78, Ø63,5 mm

Sensore a grondaia - tipo ETOR-55:

Progettato per essere montato in grondaie o canali di discesa. Viene utilizzato insieme al sensore per esterni modello ETF-744/99.
Rivelazione Umidità
MontaggioGrondaia o canale di discesa
Scatola di protezione.....IP 68
Temperatura ambiente..-57/+158 °F / -50/+70 °C
Dimensioni Alt./Largh./Prof.105/30/13 mm

Sensore per esterni - ETF-744/99:

Rilevazione Temperatura
Montaggio Parete
Scatola di protezione.....IP 54
Temperatura ambiente..-57/+158 °F / -50/+70 °C
Dimensioni Alt./Largh./Prof.86/45/35 mm

Sensore per tubi d'acqua - ETF-522:

Rivelazione Temperatura
MontaggioAllacciato al tubo
Scatola di protezione.....IP 54
Temperatura ambiente.....-40/+248 °F / -40/+120 °C
Dimensioni..... Ø6,5; L50 mm



NOTA BENE: Il sistema di liquefazione di neve e ghiaccio viene disattivato in caso di mancato funzionamento del sensore, di qualunque tipo esso sia.

INSTALLAZIONE DEL SENSORE

Sensore da terreno - ETOG, fig. 1+3:

Per installazione in zone esterne dove si verificano spesso problemi di neve e ghiaccio. Il sensore deve essere incorporato orizzontalmente con la parte superiore a livello dell'ambiente circostante.

Il cavo del sensore deve essere installato in conformità alle norme vigenti.

NOTA BENE: Raccomandiamo vivamente di utilizzare guaine per cavi per proteggere il cavo del sensore. Per istruzioni più dettagliate in merito all'installazione si rimanda alla documentazione del sensore.

Con il modello ETOG-55, utilizzare la piastra di installazione fornita.

Con il modello ETOG-56, utilizzare il kit di montaggio ETOK-1.



NOTA BENE: Prima dell'avvio iniziale, togliere la piastra di installazione da ETOG-55.

Sensore a grondaia - ETOR, fig. 2+4:

Per installazione in una grondaia o in un canale di discesa sul lato soleggiato dell'edificio.

È importante assicurarsi che gli elementi di contatto del sensore siano rivolti in senso contrario al flusso dell'acqua di scolo. Se necessario possono essere installati due sensori in parallelo. Per istruzioni più dettagliate relative all'installazione si rimanda alla documentazione del sensore.



Si tenga presente che il filo rosa e quello grigio non devono essere utilizzati.

Sensore per esterni - ETF-744/99, fig. 2+4:

Nonostante sia stato progettato per uso con sensore a grondaia, ETF può essere utilizzato anche separatamente per la rilevazione della sola temperatura. Il sensore deve essere

montato sulla parete sotto alle grondaie sul lato nord dell'edificio.

Sensore per tubi d'acqua - ETF-522:

Viene utilizzato solo con i sistemi di riscaldamento idronici per rilevare la temperatura dell'acqua di mandata e dell'acqua di ritorno. Va fissato direttamente sul tubo mediante fascette.

Cavi per sensore:

Eccezione fatta per ETOG 56, che dispone di 25 m di cavo, i sensori ETOG ed ETOR vengono forniti con 10 m di cavo che possono essere prolungati fino a circa 200 m utilizzando del normale cavo per installazioni: 6x1,5 mm² per ETOG e 4x1,5 mm² per ETOR. Il cavo del modello ETF può essere prolungato fino ad un massimo di circa 50 m. I cavi del sensore devono essere installati in conformità alle norme vigenti. Non vanno mai installati tenendoli paralleli a cavi di corrente elettrica, in quanto potrebbero interferire provocando distorsioni nel segnale del sensore.

ETO2:

L'apparecchio è costruito per montaggio su binario DIN in un pannello omologato.

Montaggio a parete:

Il coperchio in plastica fornito può essere utilizzato per un montaggio a parete in ambienti interni.

Collegare la tensione di alimentazione ai terminali N e L. Tutte le installazioni elettriche e meccaniche devono essere eseguite in conformità alle norme locali vigenti.

CONFIGURAZIONE DEL RISCALDAMENTO ELETTRICO

• Controllo del riscaldamento elettrico a 1 zona con ETOG (fig. 3+6):

Collegare 1 o 2 sensori ETOG ai terminali 11-20.

Collegare il cavo riscaldante ai relè di uscita 1, 2 e 3 a potenziale zero come mostrato in fig. 8.

- **Controllo del riscaldamento elettrico a 1 zona con ETOR + ETF (fig. 4+7):**
Collegare 1 o 2 sensori ETOR ai terminali 11-20.
Si tenga presente che il filo rosa e quello grigio non devono essere installati.
Collegare 1 sensore ETF ai terminali 31-32.
Collegare il cavo riscaldante ai relè di uscita 1, 2 e 3 a potenziale zero come mostrato in fig. 8.
- **Controllo del riscaldamento elettrico a 2 zone con ETOG (fig. 3+6):**
Collegare 2 sensori ETOG ai terminali 11-20.
Collegare il cavo riscaldante per la zona 1 al relè di uscita 1 a potenziale zero come mostrato in fig. 8.
Collegare il cavo riscaldante per la zona 2 al relè di uscita 2 a potenziale zero come mostrato in fig. 8.
- **Controllo del riscaldamento elettrico a 2 zone con ETOR (fig. 4+7):**
Collegare 2 sensori ETOR ai terminali 11-20.
Si tenga presente che il filo rosa e quello grigio non devono essere installati.
Collegare il cavo riscaldante per la zona 1 al relè di uscita 1 a potenziale zero come mostrato in fig. 8.
Collegare il cavo riscaldante per la zona 2 al relè di uscita 2 a potenziale zero come mostrato in fig. 8.
- **Controllo del riscaldamento elettrico a 2 zone con ETOG ed ETOR (fig. 5+6+7):**
Collegare 1 sensore ETOR ai terminali 11-16 come sensore 1.
Collegare 1 sensore ETOG ai terminali 17-20 come sensore 2. Si tenga presente che il filo rosa e quello grigio non devono essere installati.
Collegare il cavo riscaldante per la zona 1 (terreno) al relè di uscita 1 a potenziale zero come mostrato in fig. 8.
Collegare il cavo riscaldante per la zona 2 (tetto) al relè di uscita 2 a potenziale zero come mostrato in fig. 8.

- **Controllo del riscaldamento elettrico a 1 zona con controllo di uscita (Y/Δ) (fig. 6+9+10):**
Controllo avanzato a 2 stadi con ETOG. 1/3 dell'energia nei cavi riscaldanti in modalità postiscaldamento.
Collegare 1 o 2 sensori ETOG ai terminali 11-20 (fig. 6).
Collegare il contattore esterno/i relè ai relè di uscita 1, 2 e 3 a potenziale zero come mostrato in fig. 10.

CONFIGURAZIONE DEL RISCALDAMENTO IDRONICO

- **Controllo del riscaldamento idronico a 1 zona per il controllo della temperatura dell'acqua di mandata con valvola di miscelazione (fig. 6+11+13+16):**
Collegare 1 o 2 sensori ETOG ai terminali 11-20 (fig. 6).
Collegare la tensione di alimentazione (24 V c.a.) della valvola di miscelazione ai terminali 25-26 (fig. 13).
Collegare la valvola di miscelazione ai terminali 21-24 (fig. 13).
Collegare i sensori di mandata e di ritorno ETF-522 ai terminali 27-30 (fig. 16).
Collegare la pompa principale al relè di uscita 1 a potenziale zero come mostrato in fig. 14.
Collegare la pompa secondaria al relè di uscita 2 a potenziale zero come mostrato in fig. 14.
- **Controllo semplice del riscaldamento idronico a 1 o 2 zone (fig. 3+6+12)**
Collegare 1 o 2 sensori ETOG ai terminali 11-20 (fig. 6).
Collegare la pompa di circolazione per la zona 1 al relè di uscita 1 a potenziale zero come mostrato in fig. 14.
Se viene utilizzata la zona 2, collegare la pompa di circolazione per la zona 2 al relè di uscita 2 a potenziale zero come mostrato in fig. 14.
La configurazione si effettua come nel caso del controllo del riscaldamento elettrico a 1 o 2 zone, vedi manuale d'uso: Avvio iniziale.

CONTROLLO A DISTANZA (fig. 15):

Le funzioni di riscaldamento forzato e di standby possono essere controllate a distanza cablando ETO2 a dei pulsanti/relè esterni (normalmente aperti).

Collegare il pulsante di standby esterno ai terminali 33-34.

Collegare il pulsante esterno per il riscaldamento forzato ai terminali 35-36.

1. Impostare SET TEMP (impostazione temperatura) nel menu d'impostazione alla temperatura massima.
2. Versare dell'acqua sul sensore (ETOG/ETOR).
3. Il relè di uscita del cavo riscaldante nella relativa zona dovrà attivarsi, e sul display di ETO2 dovrà apparire l'indicazione ON. Controllare che il cavo riscaldante si riscaldi e controllarne eventualmente la tensione.
4. Una volta effettuato il test, reimpostare SET TEMP al valore desiderato (impostazione di fabbrica = +3,0 °C / 37,4 °F).

TEST DEL SISTEMA DI LIQUEFAZIONE DELLA NEVE

Una volta eseguita l'installazione e la configurazione, si raccomanda di effettuare il test del sistema di liquefazione della neve.

CABLAGGIO (fig 16)

TERMINALE	CODICE COLORE	CABLAGGIO
N, L		Tensione di alimentazione, 115-240 V c.a. 50/60 Hz
1, 2		Relè di allarme (potenziale zero), max. 5 A
3, 4		Relè di uscita 1, 16 A (potenziale zero) Cavo riscaldante 1 (zona 1) / Pompa principale
5, 6		Relè di uscita 2, 16 A (potenziale zero) Cavo riscaldante 2 (zona 2) / Pompa secondaria
7, 8		Relè di uscita 3, 16 A (potenziale zero), Cavo riscaldante 3
11, 12	marrone/verde	Sensore di riscaldamento 1+2, ETOG 1+2 ed ETOR 1+2
13, 14	grigio/rosa	Sensore di temperatura, ETOG 1
15, 16	giallo/bianco	Sensore di umidità 1, ETOG 1/ ETOR 1
17, 18	grigio/rosa	Sensore di temperatura, ETOG 2
19, 20	giallo/bianco	Sensore di umidità 2, ETOG 2/ ETOR 2
21, 22		Valvola di miscelazione a 3 o 4 vie, 0-10 V
23, 24		Valvola di miscelazione a 3 o 4 vie, 24 V c.a.
25, 26		24 V c.a. da alimentazione esterna per valvola di miscelazione a 3 o 4 vie
27, 28		Sensore acqua di mandata, ETF-522
29, 30		Sensore acqua di ritorno, ETF-522
31, 32		Sensore temperatura esterna, ETF
33, 34		Standby, ingresso esterno
35, 36		Controllo di riscaldamento forzato, ingresso esterno

**CABLAGGIO SENSORI ETOR:**

Si tenga presente che il filo rosa e quello grigio non devono essere installati.

OJ non si assume alcuna responsabilità per eventuali errori nei cataloghi, nelle brochure e in altro materiale a stampa. OJ si riserva il diritto di apportare modifiche senza preavviso ai propri prodotti, compresi quelli già in ordinazione, purché ciò sia possibile senza alterare le specifiche già concordate. Tutti i marchi registrati in questo materiale appartengono alle rispettive società. Il marchio OJ e il logo OJ sono marchi registrati di proprietà di OJ Electronics A/S. Tutti i diritti riservati.

Salvaguardia dell'ambiente e riciclaggio

Collaborate a proteggere l'ambiente eliminando l'imballaggio e i prodotti superflui in modo responsabile.

Smaltimento dei prodotti



I prodotti contrassegnati con questo simbolo non devono essere eliminati insieme ai rifiuti domestici, ma vanno invece consegnati ad un centro di raccolta dei rifiuti in conformità alle norme locali vigenti.

Figure

- Fig. 1 Installazione del sensore da terreno
 - 1 Sensore
 - 2 Piastra d'installazione
 - 3 Elemento riscaldante
- Fig. 2 Installazione del sensore a grondaia ETOR e del sensore ETF per esterni
 - 1 Termostato ETO2
 - 2 Sensore a grondaia
 - 3 Sensore per esterni
- Fig. 3 Riscaldamento elettrico a 1 zona con sensore ETOG
- Fig. 4 Riscaldamento elettrico a 1 zona con sensore ETOR/ETF
- Fig. 5 Riscaldamento elettrico a 2 zone (tetto/terreno)
- Fig. 6 Connessione ETOG
- Fig. 7 Connessione ETOR
- Fig. 8 Esempio di connessione del cavo riscaldante
- Fig. 9 Controllo del riscaldamento elettrico a 2 stadi (Y/Δ)

- Fig. 10 Connessione avanzata a 2 stadi (Y/Δ)
- Fig. 11 Controllo del riscaldamento idronico a 1 zona per il controllo della temperatura dell'acqua di mandata con valvola di miscelazione
- Fig. 12 Controllo semplice del riscaldamento idronico a 1 o 2 zone (stessa configurazione del controllo del riscaldamento elettrico a 1 o 2 zone)
- Fig. 13 Collegamento della valvola di miscelazione idronica
- Fig. 14 Collegamento della pompa idronica
- Fig. 15 Collegamento a distanza delle funzioni di standby e di riscaldamento forzato
- Fig. 16 Prospetto terminali del controller ETO2



ETO2 is een elektronische controller waarmee u volledig automatisch en op energiezuinige wijze ijs en sneeuw op buitenoppervlakken en in goten kunt smelten.

IJsvorming is het gevolg van een lage temperatuur in combinatie met vocht. ETO2 neemt zowel de temperatuur als het vocht waar. Het systeem voor het smelten van ijs en sneeuw wordt gewoonlijk alleen geactiveerd wanneer er ijs of sneeuw aanwezig is. ETO2 is geschikt voor zowel elektrische verwarmingskabels als voor leidingen van hydronische verwarming.

Productprogramma

ETO2-4550	Thermostaat.
ETOG-55	Grondsensoren voor het waarnemen van temperatuur en vocht.
ETOG-56/ETOK-1	Ingebouwde grondsensoren voor het waarnemen van temperatuur en vocht.
ETOR-55	Gootsensor voor het waarnemen van vocht.
ETF-744/99	Buitensensor voor het waarnemen van temperatuur.
ETF-522	Waterleidingsensor voor het waarnemen van temperatuur.

WAARSCHUWING! – Lees deze handleiding door!


Lees deze instructiehandleiding zorgvuldig door en let goed op de onderstaande waarschuwingen. Zorg dat u de toepassingsmogelijkheden, weergaven en beperkingen van de controller volledig begrijpt. Wanneer u de instructies in deze instructiehandleiding niet naleeft en daardoor een verkeerde beslissing neemt, kunnen er fouten optreden die kunnen resulteren in ijs en sneeuw dat zodanig van aard is dat ernstig letsel of zelfs de dood veroorzaakt kan worden.

WAARSCHUWING! – N.B.: sneeuw, ijs en ijskegels kunnen ook nog aanwezig zijn wanneer u de instructies uit deze handleiding hebt opgevolgd.

We raden u aan om onverwachte vorming van sneeuw, ijs of ijskegels in de gaten te houden. U dient als extra veiligheidsmaatregel altijd een handmatige inspectie van de openbare gebieden uit te voeren teneinde veilige toegang tot de bewuste gebieden te garanderen.

WAARSCHUWING! – Belangrijke veiligheidsaanwijzingen.

Schakel de voeding uit voordat er installatie- of onderhoudswerkzaamheden op deze regelaar en bijbehorende componenten worden uitgevoerd. Deze regelaar en bijbehorende componenten moeten door een vakbekwaam persoon worden uitgevoerd (d.w.z. een erkend elektricien). De elektrische installatie moet in overeenstemming zijn met de geldende overheidsbepalingen.

 *NB! – De uitgangrelais zijn potentiaalvrij. De monteur dient het geheel op een voedingsbron, zoals een elektrisch panel, aan te sluiten.*

CE-KEURMERK IN DE EU

OJ Electronics A/S verklaart hierbij dat het product werd geproduceerd overeenkomstig Richtlijn 2004/108/EG (en nadien volgende wijzigingen) van de Raad inzake elektromagnetische compatibiliteit en overeenkomstig Richtlijn 2006/95/EEG inzake elektrische apparatuur voor toepassing bij bepaalde spanningslimieten.

Toegepaste richtlijnen

ETO2-4550-EU28:	CE-keurmerk LSR/EMC: EN60730-2-9
ETO2-4550-US28:	CAN/CSA E 60730-2-9:01.

ETO2-4550-RU28: CE-keurmerk LSR/EMC:
EN60730-2-9

Het product mag alleen worden gebruikt als de gehele installatie voldoet aan de huidige richtlijnen.

Op dit product is garantie van de producent van toepassing wanneer het product wordt geïnstalleerd overeenkomstig deze instructies en overeenkomstig actuele regelgeving.

Als het product op enigerlei wijze is beschadigd, bijvoorbeeld tijdens transport, dan moet het product door daartoe bevoegde medewerkers worden gecontroleerd voordat het wordt aangesloten op de netspanning.

TECHNISCHE GEGEVENS

Thermostaat ETO2-4550:

Uitsluitend ontwikkeld voor bevestiging in gebouwen!

Voedingsspanning 115/240 V wisselstroom
±10%, 50-60 Hz

Voedingsspanning voor

ETOG-/ETOR-verwarming

(SMPS)..... 28 V gelijkstroom, 8 VA
3 uitgangrelais

(potentiaalvrij contact, NO)..... 3 X 16 A

Alarmrelais (potentiaalvrij contact, NO) .. max. 5 A

Regelsignaal voor

aandrijving (mengventiel)..... 0-10 V gelijkstroom

Voedingsspanning voor

aandrijving (mengventiel) max. 48 V
wisselstroom/gelijkstroom/
max. 2 A

Aan/uitdifferentieel..... 1,8 °F / 1 °C

Temperatuurbereik..... -4/+50 °F / -20/+10 °C

Omgevingstemperatuur..... 32/122 °F / 0/+50 °C

Luchtvochtigheid omgeving 10-95%

Kwaliteit behuizing IP 20

Gewicht 600 g

Afmetingen – HxBxD 90/156/45 mm

Type 1B

Controle verontreinigingsgraad 2

Nominale impulsspanning 4 kV

Grondsensor – type ETOG-55:

Ontwikkeld voor inbouw in buitenoppervlakken.

Detectie Vocht en temperatuur

Montage Buitenoppervlakken

Kwaliteit behuizing..... IP 68

Omgevingstemperatuur -57/+158 °F / -50/+70 °C

Afmetingen H32, Ø 60 mm

Grondsensor – ETOG-56/ETOK-1:

Ontwikkeld voor inbouw in buitenoppervlakken.

Detectie Vocht en temperatuur

Montage Buitenoppervlakken

Kwaliteit behuizing..... IP 68

Omgevingstemperatuur -57/+158 °F / -50/+70 °C

Afmetingen, sensor H32, Ø 60 mm

Afmetingen, buis H78, Ø 63,5 mm

Gootsensor – type ETOR-55:

Ontwikkeld voor montage in een goot of leiding.

Wordt gebruikt in combinatie met een buitensensor van het type ETF-744/99.

Detectie Vocht

Montage Goot of leiding

Kwaliteit behuizing..... IP 68

Omgevingstemperatuur -57/+158 °F / -50/+70 °C

Afmetingen – HxBxD 105/30/13 mm

Buitensensor – EFT-744/99:

Detectie Temperatuur

Montage Wand

Kwaliteit behuizing..... IP 54

Omgevingstemperatuur -57/+158 °F / -50/+70 °C

Afmetingen – HxBxD 86/45/35 mm

Waterleidingsensor – ETF-522:

Detectie Temperatuur

Montage Aan leiding gebonden

Kwaliteit behuizing..... IP 54

Omgevings-

temperatuur -40/+248 °F / -40/+120 °C

Afmetingen Ø 6,5, L 50 mm



NB: Het smeltsysteem voor sneeuw en ijs wordt gedeactiveerd wanneer er sprake is van een storing in de sensor, ongeacht het type sensor waarin de storing optreedt.

SENSOR INSTALLEREN

Grondsensor – ETOG, Afb. 1+3:

Voor installatie op buitenoppervlakken waar ijs en sneeuw een terugkerend probleem vormen. De sensor dient horizontaal ingebouwd te worden. De bovenzijde dient gelijk te zijn aan het omliggende oppervlak. De sensorkabel dient geïnstalleerd te worden overeenkomstig actuele regelgeving.

NB: We raden het gebruik van kabelleidingen aan om de sensorkabel niet te beschadigen. De sensor wordt geleverd met gedetailleerde installatie-instructies.

Wanneer u de ETOG-55 aanbrengt, dient u de bijgeleverde installatieplaat te gebruiken. Wanneer u de ETOG-56 gebruikt, dient u de ETOK-1-montageset te gebruiken.



NB: Verwijder de installatieplaat van de ETOG-55 voor u de eerste opstartprocedure uitvoert.

Gootsensor – ETOR, Afb. 2+4:

Voor installatie in een goot of afvoerpijp aan de zonkant van het gebouw. U dient te zorgen dat de contactelementen van de sensor in de richting wijzen waarin het smeltwater stroomt. U kunt zo nodig twee sensoren parallel installeren. De sensor wordt geleverd met gedetailleerde installatie-instructies.



N.B.: de roze en grijze draden worden niet gebruikt.

Buitsensor – ETF-744/99, Afb. 2+4:

Hoewel ETF is ontworpen voor gebruik in combinatie met de gootsensor ETOR, kunt u ETF ook los gebruiken om alleen de temperatuur te laten meten. De sensor dient op de wand, onder de dakrand aan de noordzijde van het gebouw gemonteerd te worden.

Waterleidingsensor – ETF-522:

Deze wordt alleen gebruikt voor hydronische verwarmingssystemen en is bedoeld om de temperatuur van het toevoer- en retourwater te meten. Dient rechtstreeks op de leiding bevestigd te worden met behulp van strippen.

Sensorkabels:

De ETOG- en ETOR-sensoren worden geleverd met een kabel van 10 m. Een uitzondering geldt voor de ETOG-56 die een kabel van 25 m heeft. De kabels kunnen met behulp van een standaard installatiekabel worden verlengd tot ca. 200 m: 6 x 1,5 mm² voor ETOG en 4 x 1,5 mm² voor ETOR. De ETF-kabel kan met circa 50 m verlengd worden. De sensorkabels dienen geïnstalleerd te worden overeenkomstig actuele regelgeving. Ze mogen nooit parallel geïnstalleerd worden aan stroomkabels: de elektrische stroom kan tot verstoring van het sensorsignaal leiden.

ETO2:

De eenheid dient op een DIN-rail en in een goedgekeurd paneel gemonteerd te worden.

Wandmontage:

U kunt de bijbehorende plastic kap gebruiken voor wandmontage in een binnenruimte. Sluit de voedingsspanning aan op de aansluitpunten N en L. Alle elektrische en mechanische installatiewerkzaamheden dienen te worden uitgevoerd overeenkomstig toepasselijke lokale regels.

INSTALLATIE, ELEKTRISCHE VERWARMING

• Regeling van elektrische verwarming met 1 zone, met ETOG (Afb. 3+6):

Sluit 1 of 2 ETOG-sensoren aan op de aansluitpunten 11-20.

Sluit de verwarmingskabel aan op de relais 1, 2 en 3 van de potentiaalvrije uitgang. Volg daarbij Afbeelding 8.

• Regeling van elektrische verwarming met 1 zone, met ETOR + ETF (Afb. 4+7):

Sluit 1 of 2 ETOR-sensoren aan op de aansluitpunten 11-20.

N.B.: de roze en grijze draden worden niet gebruikt.

Sluit 1 ETF-sensor aan op de aansluitpunten 31-32.

Sluit de verwarmingskabel aan op de relais 1, 2 en 3 van de potentiaalvrije uitgang. Volg daarbij Afbeelding 8.

- **Regeling van elektrische verwarming met 2 zones, met ETOG (Afb. 3+6):**

Sluit 2 ETOG-sensoren aan op de aansluitpunten 11-20.

Sluit de verwarmingskabel voor zone 1 aan op relais 1 van de potentiaalvrije uitgang. Volg daarbij Afbeelding 8.

Sluit de verwarmingskabel voor zone 2 aan op relais 2 van de potentiaalvrije uitgang. Volg daarbij Afbeelding 8.

- **Regeling van elektrische verwarming met 2 zones, met ETOR (Afb. 4+7):**

Sluit 2 ETOR-sensoren aan op de aansluitpunten 11-20.

N.B.: de roze en grijze draden worden niet gebruikt.

Sluit de verwarmingskabel voor zone 1 aan op relais 1 van de potentiaalvrije uitgang. Volg daarbij Afbeelding 8.

Sluit de verwarmingskabel voor zone 2 aan op relais 2 van de potentiaalvrije uitgang. Volg daarbij Afbeelding 8.

- **Regeling van elektrische verwarming met 2 zones, met ETOG en ETOR (Afb. 5+6+7):**

Sluit 1 ETOG-sensor als sensor 1 aan op de aansluitpunten 11-16.

Sluit 1 ETOR-sensor als sensor 2 aan op de aansluitpunten 17-20. N.B.: de roze en grijze draden worden niet gebruikt. Sluit de verwarmingskabel voor zone 1 (grond) aan op relais 1 van de potentiaalvrije uitgang.

Volg daarbij Afbeelding 8. Sluit de verwarmingskabel voor zone 2 (dak) aan op relais 2 van de potentiaalvrije uitgang. Volg daarbij Afbeelding 8.

- **Regeling van elektrische verwarming met 1 zone, met uitgangsregeling (Y/Δ) (Afb. 6+9+10):**

Geavanceerde regeling met 2 fases, met ETOG. 1/3 vermogen op verwarmingskabels in naloop.

Sluit 1 of 2 ETOG-sensoren aan op de aansluitpunten 11-20 Afbeelding 6.

Sluit de externe contactor/het externe relais aan op relais 1, 2 en 3 van de potentiaalvrije uitgang. Volg daarbij Afbeelding 10.

CONFIGURATIE, HYDRONISCHE VERWARMING

- **Regeling van hydronische verwarming met 1 zone voor het regelen van de temperatuur van het toevoerwater d.m.v. mengventiel (Afb. 6+11+13+16):**

Sluit 1 of 2 ETOG-sensoren aan op de aansluitpunten 11-20 Afbeelding 6.

Sluit de voedingsspanning (24 V, wisselstroom) voor het mengventiel aan op aansluitpunten 25 en 26 (Afb. 13).

Sluit het mengventiel aan op de aansluitpunten 21-24 (Afb. 13).

Sluit de toevoer- en retour-sensoren van ETF-522 aan op de aansluitpunten 27-30 (afb. 16). Sluit de primaire pomp aan op relais 1 van de potentiaalvrije uitgang. Volg daarbij Afbeelding 14.

Sluit de secundaire pomp aan op relais 2 van de potentiaalvrije uitgang. Volg daarbij Afbeelding 14.

- **Eenvoudige regeling van hydronische verwarming met 1 of 2 zones (Afb. 3+6+12)**

Sluit 1 of 2 ETOG-sensoren aan op de aansluitpunten 11-20 Afbeelding 6.

Sluit de circulatiepomp voor zone 1 aan op relais 1 van de potentiaalvrije uitgang. Volg daarbij Afbeelding 14.

Sluit, wanneer zone 2 wordt gebruikt, de circulatiepomp voor zone 2 aan op relais 2 van de potentiaalvrije uitgang. Volg daarbij Afbeelding 14.

Hanteer dezelfde installatie als voor de regeling van elektrische verwarming met 1 of 2 zones; raadpleeg 'Opstarten' in de Gebruikershandleiding.

AFSTANDBEDIENING (Afb. 15):

De functies voor geforceerde verwarming en stand-by kunnen op afstand worden bediend. Verbindt daarvoor ETO2 met externe knoppen/relais (normaal open).

Verbindt de externe stand-by knop met de aansluitpunten 33-34.

Verbindt de externe knop voor geforceerde verwarming met de aansluitpunten 35-36.

HET SMELTSYSTEEM TESTEN

We raden u aan om het smeltsysteem te testen nadat u de installatie hebt afgerond en de toepassing hebt geconfigureerd.

1. Stel SET TEMP in het configuratiemenu in op de maximumtemperatuur.
2. Giet wat water op de sensor (ETOG/ETOR).

3. De uitgangsrelais voor de verwarmingskabel in de bewuste zone dient geactiveerd te worden. Op het display van ETO2 dient 'ON' getoond te worden. Controleer of de verwarmingskabel warm wordt. Controleer indien mogelijk ook de spanning.
4. Stel SET TEMP na het testen in op de gewenste instelling (fabrieksinstelling = +3,0 °C/37,4 °F).

BEDRADING (fig. 16)

AANSLUITPUNT	KLEURCODE	BEDRADING
N, L		Voedingsspanning, 115-240 V wisselstroom, 50/60 Hz
1, 2		Alarmrelais (potentiaalvrij), max. 5 A
3, 4		Uitgangsrelais 1, 16 A (potentiaalvrij), Verwarmingskabel 1 (zone 1) / Primaire pomp
5, 6		Uitgangsrelais 2, 16 A (potentiaalvrij), Verwarmingskabel 2 (zone 2) / Secundaire pomp
7, 8		Uitgangsrelais 3, 16 A (potentiaalvrij), Verwarmingskabel 3
11, 12	bruin/groen	Sensorverwarming 1+2, ETOG 1+2 en ETOR 1+2
13, 14	grijs/roze	Temperatuursensor, ETOG 1
15, 16	geel/wit	Vochtsensor 1, ETOG 1/ETOR 1
17, 18	grijs/roze	Temperatuursensor, ETOG 2
19, 20	geel/wit	Vochtsensor 2, ETOG 2/ETOR 2
21, 22		3- of 4-wegs mengventiel, 0-10 V
23, 24		3- of 4-wegs mengventiel, 24 V wisselstroom
25, 26		24 V wisselstroom van externe voeding voor 3- of 4-wegs mengventiel
27, 28		Temperatuursensor voor toevoerwater, ETF-522
29, 30		Temperatuursensor voor retourwater, ETF-522
31, 32		Buitentemperatuursensor, ETF
33, 34		Stand-by, externe ingang
35, 36		Geforceerde warmte, externe ingang

**KABELS ETOR-SENSOR:**

N.B.: de roze en grijze draden worden niet gebruikt.

OJ kan niet aansprakelijk worden gesteld voor mogelijke fouten in catalogi, brochures en overig afgedrukt materiaal. OJ behoudt zich het recht voor om zijn producten zonder voorafgaande kennisgeving te wijzigen. Dit is eveneens van toepassing op producten die al besteld zijn, onder voorbehoud dat dergelijke aanpassingen kunnen worden doorgevoerd zonder dat er als gevolg wijzigingen aan de reeds overeengekomen specificaties nodig

zijn. Alle handelsmerken in dit materiaal zijn eigendom van de respectieve bedrijven. OJ en het OJ-logotype zijn handelsmerken van OJ Electronics A/S. Alle rechten voorbehouden.

Milieubescherming en recycling

Help het milieu te beschermen. Verwijder de verpakking en overtollige producten op een verantwoorde manier.

Verwijdering van het product.

Producten die zijn voorzien van dit symbool mogen niet met het huishoudelijk afval verwijderd worden. Lever de producten in bij een inzamelingscentrum en volg uw actuele, lokale regelgeving.

Afbeeldingen

- Afb. 1 Installatie van ETOR-grondsensoren
 - 1 Sensor
 - 2 Installatieplaat
 - 3 Verwarmingselement
- Afb. 2 Installatie van ETOR-gootsensor en ETF-buitensensor
 - 1 Thermostaat ETO2
 - 2 Gootsensor
 - 3 Buitensensor
- Afb. 3 Elektrische verwarming met 1 zone, met ETOG-sensor
- Afb. 4 Elektrische verwarming met 1 zone, met ETOR-/ETF-sensor
- Afb. 5 Elektrische verwarming met 2 zones (dak/grond)
- Afb. 6 ETOG-aansluiting
- Afb. 7 ETOR-aansluiting
- Afb. 8 Aansluiting van verwarmingskabel, voorbeeld
- Afb. 9 Regeling voor elektrische verwarming met 2 fases (Y/Δ)
- Afb. 10 Geavanceerde aansluiting met 2 fases (Y/Δ)
- Afb. 11 Regeling van hydronische verwarming met 1 zone voor het regelen van de temperatuur van het toevoerwater d.m.v. mengventiel
- Afb. 12 Regeling van hydronische verwarming met 1 of 2 zones, eenvoudig (zelfde configuratie als regeling van elektrische verwarming met 1 of 2 zones)
- Afb. 13 Aansluiting voor hydronisch mengventiel
- Afb. 14 Aansluiting voor hydronische pomp
- Afb. 15 Aansluitingen voor afstandsbediening voor stand-by en geforceerde verwarming
- Afb. 16 ETO2-controller, overzicht van aansluitpunten



Česky

Návod k použití



ETO2 je elektronický regulátor, který se používá pro automatické, ekonomické odtávání ledu a sněhu na venkovních plochách a v okapech. Led se tvoří díky kombinaci nízké teploty a vlhkosti. ETO2 detekuje jak teplotu, tak vlhkost, a systém pro odtávání ledu a sněhu se obvykle aktivuje jen na základě přítomnosti ledu nebo sněhu. ETO2 se hodí pro ovládání elektrických topných kabelů i teplovodních topných trubek.

Přehled produktu

ETO2-4550	Termostat.
ETOG-55	Zemní čidlo pro detekci teploty a vlhkosti.
ETOG-56/ETOK-1	Zapuštěné zemní čidlo pro detekci teploty a vlhkosti.
ETOR-55	Okapové čidlo pro detekci vlhkosti.
ETF-744/99	Venkovní čidlo pro detekci teploty.
ETF-522	Čidlo do vodovodních trubek pro detekci teploty.

VAROVÁNÍ! – Přečtěte si tento návod!
Pečlivě si přečtěte celý tento návod k použití a zvláštní pozornost věnujte všem následujícím varováním. Ujistěte se, že plně rozumíte používání, zobrazeným údajům a omezením regulátoru, protože jakákoli nejasnost na základě zanedbání pokynů v tomto návodu k použití, nebo nesprávného použití popsaného zařízení, může způsobit, že instalační technik udělá chyby, v jejichž důsledku mohou vzniklé podmínky zahrnující led a sníh způsobit vážný úraz nebo smrt.

VAROVÁNÍ! – Uvědomte si, že sníh, led a rampouchy se mohou vytvořit, i když budete dodržovat pokyny v tomto návodu.

Důrazně doporučujeme monitorovat veškeré neočekávané hromadění sněhu, ledu nebo rampouchů. Jako další bezpečnostní opatření byste vždy měli provádět osobní kontrolu veřejně přístupných míst, abyste zajistili bezpečný přístup do řízených oblastí.

VAROVÁNÍ! – Důležité bezpečnostní pokyny.

Před prováděním jakékoli instalace nebo údržby této řídicí jednotky a souvisejících komponent odpojte napájení. Tuto řídicí jednotku a související komponenty smí instalovat pouze kompetentní osoba (tj. kvalifikovaný elektrikář). Elektroinstalace musí odpovídat příslušným předpisům.

POZNÁMKA: – Výstupní relé jsou bezpotenciálová. Instalační technik musí připojit zdroj napájení, například z rozvaděče.

ZNAČKA CE PRO EU

Společnost OJ Electronics A/S tímto prohlašuje, že produkt je vyroben v souladu se Směrnicí Evropského parlamentu a Rady 2004/108/ES o elektromagnetické kompatibilitě (v aktuálním znění) a Směrnicí Evropského parlamentu a Rady 2006/95/ES o elektrických zařízeních určených pro používání v určitých mezích napětí.

Použití normy

ETO2-4550-EU28:	Značka CE LVD/EMC: EN60730-2-9
ETO2-4550-US28:	CAN/CSA E 60730-2-9:01.
ETO2-4550-RU28:	Značka CE LVD/EMC: EN60730-2-9

Produkt smí být používán jen tehdy, pokud kompletní instalace odpovídá aktuálním směrnici.

Výrobce poskytuje na produkt záruku, pokud je produkt instalován v souladu s tímto návodem a aktuálními předpisy.

Pokud došlo k jakémukoli poškození produktu, například během přepravy, musí být před připojením k napájení zkontrolován autorizovaným pracovníkem.

TECHNICKÉ ÚDAJE

Termostat ETO2-4550:

Určen pouze pro vnitřní montáž!

Napájecí napětí..	115/240 V AC $\pm 10\%$, 50-60 Hz
Napájecí napětí pro vytápění ETOG/ETOR (SMPS).....	28 V DC, 8 VA
3 výstupní relé (bezpotenciálový kontakt, NO)	3x 16 A
Alarmové relé (bezpotenciálový kontakt, NO)	max. 5 A
Řídicí signál pro pohon (směšovací ventil)	0-10 V DC
Napájecí napětí pohonu (směšovací ventil)	max. 48 V AC/DC / max. 2 A
Rozdíl mezi zapnutím/vypnutím	1,8 °F / 1 °C
Teplotní rozsah	-4/+50 °F / -20/+10 °C
Okolní teplota	32/122 °F / 0/+50 °C
Vlhkost okolního prostředí	10-95%
Krytí	IP 20
Hmotnost.....	600 g
Rozměry V/Š/H.....	90/156/45 mm
Typ	1B
Stupeň znečištění	2
Jmenovité impulzní napětí.....	4 kV

Zemní čidlo – typ ETOG-55:

Určeno pro zabudování do venkovních ploch.

Detekce	Vlhkost a teplota
Montáž.....	Venkovní plochy
Krytí	IP 68
Okolní teplota	-57/+158°F / -50/+70°C
Rozměry	V 32, Ø60 mm

Zemní čidlo – ETOG-56/ETOK-1:

Určeno pro zabudování do venkovních ploch.

Detekce	Vlhkost a teplota
Montáž.....	Venkovní plochy
Krytí	IP 68
Okolní teplota	-57/+158 °F / -50/+70 °C

Rozměry, čidlo	V 32, Ø60 mm
Rozměry, trubka	V 78, Ø63,5 mm

Okapové čidlo – typ ETOR-55:

Určeno pro montáž do okapu nebo vislého svodu. Používá se společně s venkovním čidlem typu ETF-744/99.

Detekce	Vlhkost
Montáž.....	Okap nebo vislý svod
Krytí	IP 68
Okolní teplota	-57/+158°F / -50/+70°C
Rozměry V/Š/H.....	105/30/13 mm

Venkovní čidlo – ETF-744/99:

Detekce	Teplota
Montáž.....	Nástěnná
Krytí	IP 54
Okolní teplota	-57/+158°F / -50/+70°C
Rozměry V/Š/H.....	86/45/35 mm

Čidlo do vodovodních trubek – ETF-522:

Detekce	Teplota
Montáž.....	Připnuté na trubku
Krytí	IP 54
Okolní teplota	-40/+248°F / -40/+120°C
Rozměry	Ø6,5, D 50 mm



POZNÁMKA: Systém odtávání sněhu a ledu se v případě závady čidla deaktivuje – bez ohledu na typ čidla.

INSTALACE ČIDLA

Zemní čidlo – ETOG, obr. 1+3:

Pro instalaci na venkovních plochách, kde je led a sníh běžným problémem. Čidlo musí být zabudováno horizontálně tak, aby byla jeho horní strana zarovnána s okolním povrchem.

Kabel čidla musí být nainstalován v souladu s aktuálně platnými předpisy.

POZNÁMKA: Důrazně doporučujeme použít pro ochranu kabelu čidla kabelovody. Podrobné pokyny k instalaci jsou dodávány s čidlem. U modelu ETOG-55 použijte přiloženou instalační desku.

U modelu ETOG-56 použijte montážní sadu ETOK-1.



POZNÁMKA: Před počátečním spuštěním odstraňte instalační desku z ETOG-55.

Okapové čidlo – ETOR, obr. 2+4:

Instaluje se do okapu nebo svislého svodu na slunné straně budovy. Je důležité zajistit, aby kontakty čidla byly otočeny proti toku sněhové vody. V případě potřeby lze nainstalovat dvě čidla paralelně. Podrobné pokyny k instalaci jsou dodávány s čidlem.



Růžový a šedý kabel se nepoužívají.

Venkovní čidlo – ETF-744/99, obr. 2+4:

Ačkoli je čidlo ETF určeno pro použití s okapovým čidlem ETOR, dá se použít také samostatně k detekci samotné teploty. Čidlo je možné namontovat na zeď pod okapy na severní straně budovy.

Čidlo do vodovodních trubek – ETF-522:

Používá se jen u teplovodních systémů vytápění k detekci teploty vody v přívodním a zpětném potrubí. Připevňuje se přímo na trubky pomocí stahovacích pásků.

Kabely čidla:

S výjimkou čidla ETOG-56, které je vybaveno 25metrovým kabelem, se čidla ETOG a ETOR dodávají s 10metrovým kabelem, která lze prodloužit přibližně až na 200 m pomocí standardního instalačního kabelu: 6x1,5 mm² pro ETOG a 4x1,5 mm² pro ETOR. Kabel ETF lze prodloužit přibližně až na délku 50 m. Kabely čidla musí být nainstalovány v souladu s aktuálně platnými předpisy. Nesmí se nikdy instalovat paralelně s napájecími kabely, protože elektrické rušení může zkreslit signál čidla.

ETO2:

Jednotka se instaluje na DIN lištu do schváleného panelu.

Montáž na stěnu:

Příložený plastový kryt lze použít k montáži na stěnu v interiéru.

Připojte napájecí napětí do svorek N a L.

Veškerá elektrická a mechanická instalace musí být provedena v souladu s platnými místními předpisy.

NASTAVENÍ, ELEKTRICKÉ VYHŘÍVÁNÍ

• Řízení elektrického vyhřívání jedné zóny s čidlem ETOG (obr. 3+6):

Zapojte 1 nebo 2 čidla ETOG do svorek 11-20. Připojte topný kabel k bezpotenciálovým výstupním relé 1, 2 a 3 podle obr. 8.

• Řízení elektrického vyhřívání jedné zóny s čidlem ETOR + ETF (obr. 4+7):

Zapojte 1 nebo 2 čidla ETOR do svorek 11-20. Růžový a šedý kabel se nepoužívají. Zapojte 1 čidlo ETF do svorek 31-32. Připojte topný kabel k bezpotenciálovým výstupním relé 1, 2 a 3 podle obr. 8.

• Řízení elektrického vyhřívání dvou zón s čidlem ETOG (obr. 3+6):

Zapojte 2 čidla ETOG do svorek 11-20. Připojte topný kabel pro zónu 1 k bezpotenciálovému výstupnímu relé 1 podle obr. 8. Připojte topný kabel pro zónu 2 k bezpotenciálovému výstupnímu relé 2 podle obr. 8.

• Řízení elektrického vyhřívání dvou zón s čidlem ETOR (obr. 4+7):

Zapojte 2 čidla ETOR do svorek 11-20. Růžový a šedý kabel se nepoužívají. Připojte topný kabel pro zónu 1 k bezpotenciálovému výstupnímu relé 1 podle obr. 8. Připojte topný kabel pro zónu 2 k bezpotenciálovému výstupnímu relé 2 podle obr. 8.

• Řízení elektrického vyhřívání dvou zón s čidlem ETOG a ETOR (obr. 5+6+7):

Zapojte 1 čidlo ETOG do svorek 11-16 jako čidlo 1. Zapojte 1 čidlo ETOR do svorek 17-20 jako čidlo 2. Růžový a šedý kabel se nepoužívají.

Připojte topný kabel pro zónu 1 (země) k bezpotenciálovému výstupnímu relé 1 podle obr. 8.

Připojte topný kabel pro zónu 2 (střecha) k bezpotenciálovému výstupnímu relé 2 podle obr. 8.

- **Řízení elektrického vyhřívání jedné zóny s regulací výkonu (Y/ Δ) (obr. 6+9+10):**
Pokročilé dvoustupňové řízení s čidlem ETOG. Při doběhu pracují topné kabely na třetinový výkon.
Zapojte 1 nebo 2 čidla ETOG do svorek 11-20.
Připojte externí stykač nebo relé k bezpotenciálovým výstupním relé 1, 2 a 3 podle obr. 10.

NASTAVENÍ, TEPLOVODNÍ VYTÁPĚNÍ

- **Řízení jedné zóny teplovodního vytápění pro regulaci teploty vody v přívodním potrubí se směšovací ventil (obr. 6+11+13+16):**
Zapojte 1 nebo 2 čidla ETOG do svorek 11-20 (obr. 6).
Připojte napájecí napětí (24 V AC) směšovacího ventilu do svorek 25-26 (obr. 13).
Zapojte směšovací ventil do svorek 21-24 (obr. 13).
Zapojte čidla ETF-522 pro přívodní a zpětné potrubí do svorek 27-30 (obr. 16).
Připojte primární čerpadlo k bezpotenciálovému výstupnímu relé 1 podle obr. 14.
Připojte sekundární čerpadlo k bezpotenciálovému výstupnímu relé 2 podle obr. 14.
- **Řízení jedné nebo dvou zón teplovodního vytápění, jednoduché (obr. 3+6+12):**
Zapojte 1 nebo 2 čidla ETOG do svorek 11-20 (obr. 6).
Připojte oběhové čerpadlo pro zónu 1 k bezpotenciálovému výstupnímu relé 1 podle obr. 14.
Pokud používáte zónu 2, připojte oběhové

čerpadlo pro zónu 2 k bezpotenciálovému výstupnímu relé 2 podle obr. 14.
Nastavení aplikace je stejné jako u řízení jedné nebo dvou zón elektrického vyhřívání – viz Návod k použití, Nastavení.

DÁLKOVÉ OVLÁDÁNÍ (obr. 15):

Funkce nuceného vyhřívání a pohotovostního režimu lze ovládat dálkově připojením regulátoru ETO2 k externím tlačítkům/relé (spínacím).
Připojte externí tlačítko pohotovostního režimu ke svorkám 33-34.
Připojte externí tlačítko nuceného vyhřívání ke svorkám 35-36.

TESTOVÁNÍ SYSTÉMU ODTÁVÁNÍ SNĚHU

Po dokončení instalace a nastavení aplikace doporučujeme systém odtávání sněhu vyzkoušet.

1. Nastavte položku SET TEMP v menu nastavení na max. teplotu.
2. Nalijte na čidlo (ETOG/ETOR) vodu.
3. Výstupní relé pro topný kabel v dané zóně by se mělo aktivovat a na displeji regulátoru ETO2 by mělo svítit ON. Zkontrolujte, zda se topný kabel zahřeje a pokud možno zkontrolujte napětí.
4. Po skončení testu vraťte nastavení položky SET TEMP zpět na požadovanou hodnotu (tovární nastavení = +3,0 °C / 37,4 °F).

ZAPOJENÍ (obr. 16):

SVORKA	BAREVNÉ OZNAČENÍ	ZAPOJENÍ
N, L		Napájecí napětí, 115-240 V AC 50/60 Hz
1, 2		Alarmové relé (bezpotenciálové), max. 5 A
3, 4		Výstupní relé 1, 16 A (bezpotenciálové), Topný kabel 1 (zóna 1) / Primární čerpadlo
5, 6		Výstupní relé 2, 16 A (bezpotenciálové), Topný kabel 2 (zóna 2) / Sekundární čerpadlo
7, 8		Výstupní relé 3, 16 A (bezpotenciálové), topný kabel 3
11, 12	hnědý/zelený	Čidlo vyhřívání 1+2, ETOG 1+2 a ETOR 1+2
13, 14	šedý/růžový	Teplotní čidlo, ETOG 1
15, 16	žlutý/bílý	Čidlo vlhkosti 1, ETOG 1/ETOR 1
17, 18	šedý/růžový	Teplotní čidlo, ETOG 2
19, 20	žlutý/bílý	Čidlo vlhkosti 2, ETOG 2/ETOR 2
21, 22		Trojcestný nebo čtyřcestný směšovací ventil, 0-10 V
23, 24		Trojcestný nebo čtyřcestný směšovací ventil, 24 V AC
25, 26		24 V AC z externího napájecího zdroje pro trojcestný nebo čtyřcestný směšovací ventil
27, 28		Čidlo teploty vody v přívodním potrubí, ETF-522
29, 30		Čidlo teploty vody ve zpětném potrubí, ETF-522
31, 32		Venkovní čidlo teploty, ETF
33, 34		Pohotovostní režim, externí vstup
35, 36		Nucené vyhřívání, externí vstup



VODIČE ČIDLA ETOR:

Růžový a šedý kabel se nepoužívají.

Společnost OJ nenese odpovědnost za žádné chyby v katalogích, brožurách či jiných tištěných materiálech. Společnost OJ si vyhrazuje právo na úpravy svých produktů bez předchozího upozornění. Platí to rovněž pro již objednané produkty za předpokladu, že tyto úpravy lze provést bez nutnosti následných změn již dohodnutých specifikací. Veškeré ochranné známky v tomto materiálu jsou majetkem příslušných společností. OJ a logo OJ jsou ochranné známky společnosti OJ Electronics A/S. Všechna práva vyhrazena.

Ochrana životního prostředí a recyklace

Pomozte chránit životní prostředí likvidací obalu a postradatelných produktů odpovědným způsobem.

Likvidace produktu



Produkty označené tímto symbolem nesmí být likvidovány společně s běžným domovním odpadem, ale musí být předány do střediska pro sběr odpadů v souladu s platnými místními předpisy.

Obrázky

Obr. 1 Instalace zemního čidla ETOG

- 1 Čidlo
- 2 Instalační deska
- 3 Topný prvek

- Obr. 2 Instalace okapového čidla ETOR a venkovního čidla ETF
 - 1 Termostat ETO2
 - 2 Okapové čidlo
 - 3 Venkovní čidlo
- Obr. 3 Elektrické vyhřívání jedné zóny s čidlem ETOG
- Obr. 4 Elektrické vyhřívání jedné zóny s čidlem ETOR/ETF
- Obr. 5 Elektrické vyhřívání dvou zón (střecha/zem)
- Obr. 6 Připojení čidla ETOG
- Obr. 7 Připojení čidla ETOR
- Obr. 8 Připojení topného kabelu, příklad
- Obr. 9 Dvoustupňová regulace elektrického vyhřívání (Y/Δ)
- Obr. 10 Připojení pokročilé dvoustupňové regulace (Y/Δ)
- Obr. 11 Řízení jedné zóny teplovodního vytápění pro regulaci teploty vody v přívodním potrubí se směšovacími ventily
- Obr. 12 Řízení jedné nebo dvou zón teplovodního vytápění, jednoduché (stejně nastavení aplikace jako u řízení jedné nebo dvou zón elektrického vyhřívání)
- Obr. 13 Připojení směšovacího ventilu u teplovodního vytápění
- Obr. 14 Připojení čerpadla u teplovodního vytápění
- Obr. 15 Připojení dálkového ovládání pohotovostního režimu a nuceného vyhřívání
- Obr. 16 Regulátor ETO2, přehled svorek



English

User Manual



CONTENTS

Glossary	Page	49
Introduction	Page	49
Startup	Page	50
Operation	Page	51
Main menu	Page	51
Display texts	Page	51
Application info	Page	52
Settings	Page	52
Restart	Page	54
Offset calibration	Page	54
Factory settings	Page	55
Troubleshooting	Page	55

GLOSSARY

Zone 1, 2:	Independent heating zones in which ice and snow can be melted.
Encoder button:	Button which can be turned or pressed to easily configure the settings.
ETOG-55:	Ground sensor for detecting moisture and temperature.
ETOR-55:	Gutter sensor for detecting moisture.
ETOG-56/ETOK-1:	Embedded ground sensor for detecting moisture and temperature.
ETF-744/99:	Outdoor sensor for detecting temperature.
Y/Δ:	Advanced 2-stage control of electric heating systems.
Afterrun:	The heat provided by the system, for a specified length of time, after the moisture/temperature signal has been eliminated by a heating cycle.

INTRODUCTION

Type ETO2 is an electronic controller for fully automatic, economical ice and snow melting on outdoor surfaces and in gutters. Ice forms due to a combination of low temperature and moisture. ETO2 detects both temperature and moisture and the heating system will only be activated if a possibility of ice or snow is indicated by both parameters.

An easily operated encoder button and backlit graphic display ensure quick and easy configuration and simple indication of temperature, status, etc.

ETO2 is suitable for controlling electric heating cables in 1 or 2 zones. It also features advanced two-stage output control for economic operation.

In hydronic mode, the supply sensor maintains the required supply water temperature while the system is active. When heat is demanded, both the circulation and main pumps are activated and the valve is opened 20% for 1 minute to let the system stabilise.

When there is no need for ice or snow melting, the system activates the circulation pump for 1 minute every 15 minutes to check whether the return water temperature has dropped below the required "idle temp." If this is the case, the system fully activates to increase the return water temperature to the required level.

STARTUP

SELECT SCALE:
CELSIUS
FAHRENHEIT

When ETO2 is switched on for the first time, Celsius or Fahrenheit must be selected. Turn the encoder button until the required temperature scale is highlighted. Then accept the selection by pressing the encoder button.

SENSOR 1:
ETOG
ETOR

SENSOR 1 is shown on the display, allowing the type of sensor connected for input 1 to be selected:

ETOG : Ground sensor

ETOR : Gutter sensor + outdoor sensor

Then accept the selection by pressing the encoder button.

SENSOR 2:
OFF
ETOG
ETOR

SENSOR 2 is then shown on the display, allowing the type of sensor connected for input 2 to be selected. If no sensor is connected to input 2, OFF must be selected.

OUTDOOR SENSOR:
OFF
ETF

Select ETF if an ETF outdoor sensor is connected to terminals 31-32.

If no ETF sensor is connected, select OFF. Then accept the selection by pressing the encoder button.

APPLICATION:
ELECTRIC 1-ZONE
ELECTRIC 2-ZONE
ELECTRIC 2-STAGE
HYDRONIC

Select the application type by turning the encoder button and pressing OK.

ELECTRIC 1-ZONE : 1-zone electric heating control. Note: also used for simple hydronic. Fig. 12

ELECTRIC 2-ZONE : 2-zone electrical heating control. Note: also used for simple hydronic. Fig. 12.

ELECTRIC 2-STAGE : Advanced 2-stage electric heating control (Y/Δ) of 1 zone. Fig. 10

HYDRONIC : 1-zone hydronic heating control with supply water control. Fig. 11

Select the appropriate option and press OK. The system is now set up, and will begin operating fully automatically in accordance with the pre-configured standard program, see **FACTORY SETTINGS**. Alternative settings can also be made, see **SETTINGS**.

ZONE 1 HEAT	OFF
ZONE 2 HEAT	OFF
AFTERRUN 1	0.00
AFTERRUN 2	0.00
STANDBY	OFF

Status and afterrun data for zones 1 and 2 are now shown on the display.

OPERATION

ETO2 is equipped with an easily operated encoder button (turn and press) and a display which describes the current situation. The display is backlit and is illuminated by pressing the encoder button (OK). The illumination is automatically switched off after 30 seconds.

Press the encoder button and the main menu will be shown on the display.

Turn the button to scroll through the options. Not all the options are shown on the display at once, but they can be accessed by turning the encoder button.

Press OK to select a highlighted option.

MAIN MENU

ZONE 1	OFF
ZONE 2	OFF
SENSOR 1	##.#°C
SENSOR 2	##.#°C
MOIST 1	NO
MOIST 2	NO
OUT. TEMP	##.#°C
SUPPLY W.	##.#°C
RETURN W.	##.#°C
ALARM	NO
SHOW INFO	
SETUP	
RESTART	
EXIT	

DISPLAY TEXTS

ZONE 1 **OFF** Heating zone 1 active (ON) or inactive (OFF)

ZONE 2 **OFF** Heating zone 2 active (ON) or inactive (OFF)

SENSOR 1 **##.#°C** Sensor 1 (heated sensor) core temperature. Applies only when ETOG sensor is connected.

NOTE: The temperature shown does not equal ambient temperature during moisture detection!

SENSOR 2 **##.#°C** Sensor 2 (heated sensor) core temperature. Applies only when ETOG sensor is connected.

NOTE: The temperature shown does not equal ambient temperature during moisture detection!

MOIST 1	NO	Sensor 1 moisture status. YES / NO / Blank. Blank will be shown if temperature is above Set Temp or the system is in Afterrun mode.
MOIST 2	NO	Sensor 2 moisture status. YES / NO / Blank. Blank will be shown if temperature is above Set Temp or the system is in Afterrun mode.
OUT TEMP	##.#°C	Ambient outdoor temperature. Applies only when ETF sensor is connected.
SUPPLY W.	##.#°C	Supply water temperature, hydronic application only.
RETURN W.	##.#°C	Return water temperature, hydronic application only.
ALARM	NO	Fault message, fault type will be displayed. Red LED on front of unit will flash.

APPLICATION INFO

SHOW INFO

APP:	E. 1-ZONE	Application type: electric or hydronic heating
SW VERSION	1.00	Software version
SENSOR 1	ETOG	Sensor type, sensor 1
SENSOR 2	OFF	Sensor type, sensor 2
SENSOR ETF	OFF	Whether an ETF sensor is connected
EXIT		Return to main menu

SETTINGS

Please note that incorrect sensor setup may lead to poor or lacking ice and snow melting. Press OK and a submenu will be shown on the display. Select the parameter to be set and press OK.

SETUP

FORCE HEAT	OFF	Manual start of forced heating. Press OK and select ON to start forced heating. The ETO2 controller will provide heat for the pre-programmed afterrun time, see AFTERRUN 1 and 2.
SELECT SCALE	C	Whether temperature is to be displayed in Celsius (C) or Fahrenheit (F) can be selected here. Select the required scale and press OK. Press OK to return to the SETUP menu.

SET TEMP 1	3.0C	Set temperature for zone 1: The temperature at which the ice and snow melting system will become active can be set here. The temperature setting can be adjusted within the range +50/-20°C (122/-4°F). Set the required temperature and press OK.
SET TEMP 2	3.0C	Set temperature for zone 2: The temperature at which the ice and snow melting system will become active can be set here. The temperature setting can be adjusted within the range +50/-20°C (122/-4°F). Set the required temperature and press OK.
OFF TEMP 1	OFF	The lowest operating temperature for zone 1 can be set here. Below this temperature, the system will enter standby mode. The setting can be as low as -20°C (-3.9°F), or OFF can be selected. OFF = no limit. To change the minimum cut-off temperature, press OK, turn the encoder button to the desired value and confirm with OK.
OFF TEMP 2	OFF	The lowest operating temperature for zone 2 can be set here. The setting can be as low as -20°C (-3.9°F), or OFF can be selected. OFF = no limit. To change the minimum cut-off temperature, press OK, turn the encoder button to the desired value and confirm with OK.
AFTERRUN 1	2:00	Afterrun time, zone 1: An afterrun duration of between 0 and 18 hours can be set here. The system will continue to provide heat for the specified time after the moisture/temperature signal has been eliminated by a heating cycle. Use the encoder button to set the required afterrun time and press OK.
AFTERRUN 2	2:00	Afterrun time, zone 2: An afterrun duration of between 0 and 18 hours can be set here. Use the encoder button to set the required afterrun time and press OK.
OFFSET T1	0.0C	Zone 1 temperature can be calibrated here. With the ETOG-55 sensor, the temperature shown on the ETO2 display is always the core temperature of the sensor. For calibration, please see <i>OFFSET CALIBRATION</i> .
OFFSET T2	0.0C	Zone 2 temperature can be calibrated here. With the ETOG-55 sensor, the temperature shown on the ETO2 display is always the core temperature of the sensor. For calibration, please see <i>OFFSET CALIBRATION</i> .
OFFSET OUT.	0.0C	Outdoor temperature can be calibrated here. The temperature recorded by the ETF outdoor sensor can be adjusted so that the exact temperature is displayed on ETO2. Measure the temperature beside the sensor using a thermometer. Adjust the necessary offset using the encoder button. Press OK.
MIN WATER	5.0C	The minimum return water temperature can be set here. Set the required minimum temperature and press OK. This menu option is only available when hydronic heating is used.

MAX WATER 55.0C

The maximum supply water temperature can be set here. Set the required maximum temperature and press OK.
This menu option is only available when hydronic heating is used.

SENSOR HEAT AUTO

In auto mode, sensor heating is switched off during periods when snow melting is active. Under special conditions or during extremely cold weather, the sensor can be heated continuously. Select ON and press OK.

MOIST CTRL ON

Moisture control can be switched off here. If so, snow and ice melting will only be controlled by the set temperature, see SET TEMP. Select OFF to switch off moisture control and press OK.



Note that energy consumption/costs will rise if moisture control is switched off.

SENSITIVITY NORM

Sensor sensitivity can be adjusted in 5 steps: MIN: e.g. for salted roads - LOW: e.g. for dirty snow - NORM: e.g. for mixed snow conditions - HIGH: e.g. for white snow - MAX: e.g. for very pure snow or hoar frost. To change sensitivity, press OK, turn the encoder button to the desired setting and confirm with OK.

LANGUAGE ENGLISH

Language information.

FACTORY RESET

All ETO2 factory settings can be restored here. Selecting this option deletes all customised settings.

REINSTALL

REINSTALL
PASSWORD XXXX

In the event of setup failure in the STARTUP menu, or whenever new hardware is connected, the primary setup must be changed in the STARTUP menu. Select PASSWORD and turn the encoder button to the factory code (1202). The controller will then return to the STARTUP menu, see STARTUP.

EXIT

Select this option and press OK to return to the main menu.

RESTART

After changing the settings, or whenever a new process start is required, the ETO2 can be restarted in this menu.

RESTART

Restarts operation while retaining all your current settings. The ETO2 goes to the initial status display.

OFFSET CALIBRATION

If it is necessary to calibrate the temperature measured by the ETOG sensor, please follow the steps below:

1. Disconnect the sensor from terminals 11 and 12 (sensor heating) of the ETO2.
2. Wait a few hours until the sensor has acquired the same temperature as the ground.
3. Measure the real ground/sensor temperature and compare it with the temperature shown on the ETO2 display.
4. Program the offset for the sensor concerned to match the difference between the two temperatures (displayed/real).
Adjust the necessary offset using the encoder button. Press OK.
5. Reconnect the sensor to terminals 11 and 12 of the ETO2.

NOTE: With the ETOG sensor, the temperature shown on the ETO2 display is always the core temperature of the sensor.

FACTORY SETTINGS

SETUP	FACTORY SETTINGS	OWN SETTINGS
Application	Electric	
Sensor 1	ETOG	
Sensor 2	OFF	
Select scale	Celsius	
Afterrun time, zone 1	2.00 hours	
Afterrun time, zone 2	2.00 hours	
Temp. offset, zone 1	0.0°C / 0.0°F	
Temp. offset, zone 2	0.0°C / 0.0°F	
Temp. offset ETF	0.0°C / 0.0°F	
Temp. setpoint, zones 1+2	3.0°C / 37.4°F	
OFF temp., zones 1+2	OFF	
Sensor heating, zones 1+2	AUTO	
Moisture control, zones 1+2	ON	
Sensitivity, zones 1+2	NORM	
Min. water temp.	5°C / 41°F	
Max. water temp.	55°C / 131°F	

TROUBLESHOOTING

If faults occur in the ice and snow melting system, it is advisable to check the ETO2 setup. Activate the menu by pressing the encoder button and select SHOW INFO to display the application settings. If there are errors in the setup, activate REINSTALL using factory code 1202.

Check that all connections are made correctly, and that cables are fastened in the clamps.

For answers to FAQ, please visit our website: www.ojelectronics.com / support / FAQ - Snowmelting.

Ice/snow does not melt

- Does the display show HEAT ON in zone 1 / 2?

YES:

- o Wait 1-2 hours.
- o Check under the snow, if the snow is beginning to melt the system is OK.

- o Check heating cables for defects and bad or incorrect connections.
- o It may be too cold for snow melting (insufficient power/m²), i.e. the heating cables or hydronic heating system is undersized.

NO:

- o The temperature is higher than SET TEMP. Adjust SET TEMP to higher temperature.
- o The snow around the ground sensor has melted or drifting snow has exposed the sensor. Increase AFTERRUN time or activate FORCE HEAT.
- o An igloo effect has occurred around the sensor. The ground sensor has melted an insulated cavity under the snow.
Activate FORCE HEAT or set MOIST CTRL to OFF.
- o The temperature is lower than the OFF TEMP setting.
Depending on heat output, the system may have a lower temperature limit at which snow can be melted.
Try melting the snow with FORCE HEAT before changing the OFF TEMP.

Heating is not shut off after ice/snow melting

- o AFTERRUN time is too long – reduce AFTERRUN time and activate RESTART in the menu.
- o Moisture detection in the ETOG/ETOR sensor is turned off – set MOIST CTRL to ON in the menu.

If the red ALARM button flashes, one of the following faults has occurred. The relevant message will be displayed in the ALARM menu.

- “RETURN TEMP LOW”** - Water temperature in return pipe is too low.
- “SUPPLY TEMP HIGH”** - Water temperature in supply pipe is too high.
- “RETURN SENSOR”** - Return sensor defective.
- “SUPPLY SENSOR”** - Supply sensor defective.
- “TEMP SENSOR 1”** - Temperature sensor 1 (ground or roof) defective.
- “TEMP SENSOR 2”** - Temperature sensor 2 (ground or roof) defective.
- “OUTDOOR SENSOR”** - Outdoor sensor defective.
- “SENSOR HEATER”** - Heating element in ground or roof sensor short-circuited.
- “FROST PROTECT”** - Frost protection active due to low return temperature.
(hydronic systems only)



Deutsch

Benutzerhandbuch



INHALT

Wortliste	Seite	57
Einführung	Seite	57
Inbetriebnahme	Seite	58
Betrieb	Seite	59
Hauptmenü	Seite	59
Displaytexte	Seite	59
Anwendungsinformation	Seite	60
Einstellungen	Seite	60
Neustart	Seite	63
Offsetabgleich	Seite	63
Werkseinstellungen	Seite	63
Fehlersuche und -behebung	Seite	64

WORTLISTE

Zone 1, 2:	Unabhängige Heizzonen, in welchen Eis und Schnee geschmolzen werden soll.
Drehcodierschalter:	Dreh- und Druckknopf zum einfachen Konfigurieren der Einstellungen.
ETOG-55:	Bodenfühler zur Erfassung von Feuchte und Temperatur.
ETOR-55:	Dachrinnenfühler zur Erfassung von Feuchte
ETOG-56/ETOK-1:	Eingebetteter Bodenfühler zur Erfassung von Feuchte und Temperatur.
ETF-744/99:	Außenfühler zur Temperaturerfassung.
Y/Δ:	Erweiterte 2-Stufen-Regelung der Elektroheizung.
Nachheizung:	Der von der Anlage für eine vorgegebene Dauer verlängerte Heizvorgang, nach dem das den Heizvorgang auslösende Feuchte-/Temperatursignal verschwunden ist.

EINFÜHRUNG

Typ ETO2 ist ein elektronischer Regler zur vollautomatischen, wirtschaftlichen Eis- und Schneeschmelze auf Freiflächen und in Dachrinnen. Eis bildet sich bei einer bestimmten Konstellation von niedriger Temperatur und Feuchte. ETO2 erfasst sowohl Temperatur als auch Feuchte, und die Heizanlage wird nur wenn durch beide Parameter ein mögliches Vorkommen von Schnee oder Eis angezeigt wird aktiviert.

Ein einfach bedienbarer Drehcodierschalter und ein hinterleuchtetes Display gewährleisten eine schnelle und problemlose Konfiguration und die simple Anzeige von Temperatur, Betriebszustand, usw.

ETO2 eignet sich zur Steuerung von elektrischen Heizkabeln in 1 oder 2 Zonen. Verfügt auch über erweiterte 2-Stufen-Ausgangsschaltung für wirtschaftlichen Betrieb.

Im Hydronek-Modus sorgt der Vorlauffühler bei aktiver Anlage für die Aufrechterhaltung der vorgegebenen Wasservorlaufemperatur. Bei Wärmebedarf wird sowohl die Umwälz- als auch die Hauptpumpe aktiviert und das Ventil zur Stabilisierung der Anlage 1 Minute lang zu 20 % geöffnet.

Besteht kein Schmelzbedarf für Eis und Schnee, wird die Umwälzpumpe von der Anlage alle 15 Minuten für jeweils 1 Minute aktiviert, um zu kontrollieren, ob die Wasserrücklaufemperatur unter die erforderliche „Leerlauftemp.“ gesunken ist. Ist dies der Fall, wird die Anlage voll aktiviert, um die Wasserrücklaufemperatur auf das erforderliche Niveau anzuheben.

INBETRIEBNAHME

SELECT SCALE:
CELSIUS
FAHRENHEIT

Beim erstmaligen Einschalten von ETO2 muss Celsius oder Fahrenheit gewählt werden. Den Drehcodierschalter drehen, bis die gewünschte Temperaturskala farblich hervorgehoben wird. Den Drehcodierschalter drücken um die Einstellung zu bestätigen.

SENSOR 1:
ETOG
ETOR

Am Display wird SENSOR 1 angezeigt, wonach der an Eingang 1 angeschlossene Fühlertyp eingestellt werden kann:

ETOG : Bodenfühler
ETOR : Dachrinnenfühler + Außenfühler

Den Drehcodierschalter drücken um die Einstellung zu bestätigen.

SENSOR 2:
OFF
ETOG
ETOR

Am Display wird jetzt SENSOR 2 angezeigt, wonach der an Eingang 2 angeschlossene Fühlertyp eingestellt werden kann. Ist kein Fühler an Eingang 2 angeschlossen, ist OFF einzustellen.

OUTDOOR SENSOR:
OFF
ETF

ETF wählen, wenn ein ETF-Außenfühler mit den Klemmen 31-32 verbunden ist. Ist kein ETF-Fühler angeschlossen, OFF wählen. Den Drehcodierschalter drücken um die Einstellung zu bestätigen.

APPLICATION:
ELECTRIC 1-ZONE
ELECTRIC 2-ZONE
ELECTRIC 2-STAGE
HYDRONIC

Den Drehcodierschalter auf den gewünschten Anwendungstyp drehen und auf OK drücken.

ELECTRIC 1-ZONE: 1-Zonen-Elektroheizungsregelung. Hinweis: auch für einfache Hydronek benutzt. Abb. 12

ELECTRIC 2-ZONE: 2-Zonen-Elektroheizungsregelung. Hinweis: auch für einfache Hydronek benutzt. Abb. 12.

ELECTRIC 2-STAGE: Erweiterte 2-Stufen-Elektroheizungsregelung (Y/Δ) von einer Zone. Abb. 10

HYDRONIC: 1-Zonen-Wasserheizungssteuerung mit Vorlaufwasserregelung. Abb. 11

Die zutreffende Option wählen und auf OK drücken. Die Anlage ist jetzt eingestellt und beginnt den vollautomatischen Betrieb gemäß dem vorkonfigurierten Standardprogramm, siehe WERKSEINSTELLUNGEN. Alternative Einstellungen können ebenfalls vorgenommen werden, siehe EINSTELLUNGEN.

ZONE 1 HEAT	OFF
ZONE 2 HEAT	OFF
AFTERRUN 1	0.00
AFTERRUN 2	0.00
STANDBY	OFF

Betriebszustand und Nachheizungsdaten für die Zonen 1 und 2 werden jetzt am Display angezeigt.

BETRIEB

ETO2 ist mit einem einfach bedienbaren Drehcodierschalter (Dreh- und Druckknopf) und einem die aktuelle Situation anzeigenden Display ausgestattet. Das Display ist hinterleuchtet und wird durch Drücken des Drehcodierschalters (OK) aktiviert. Das Schirmbild erlischt automatisch nach 30 Sekunden.

Den Drehcodierschalter drücken um das Hauptmenü am Display anzuzeigen.

Den Knopf drehen um die Optionen durchzuscrollen. Nicht alle Optionen werden gleichzeitig angezeigt, sind aber durch Drehen des Drehcodierschalters zugänglich. Zur Wahl einer farblich hervorgehobenen Option auf OK drücken.

HAUPTMENÜ

ZONE 1	OFF
ZONE 2	OFF
SENSOR 1	##.#°C
SENSOR 2	##.#°C
MOIST 1	NO
MOIST 2	NO
OUT. TEMP	##.#°C
SUPPLY W.	##.#°C
RETURN W.	##.#°C
ALARM	NO
SHOW INFO	
SETUP	
RESTART	
EXIT	

DISPLAYTEXTE

ZONE 1 **OFF**

Heizzone 1 aktiv (ON) oder inaktiv (OFF)

ZONE 2 **OFF**

Heizzone 2 aktiv (ON) oder inaktiv (OFF)

SENSOR 1 **##.#°C**

Fühler 1 (beheizter Fühler) Kerntemperatur. Trifft nur zu, wenn ETOG-Fühler angeschlossen ist.

HINWEIS: Die angezeigte Temperatur entspricht nicht der Umgebungstemperatur während der Feuchterfassung!

SENSOR 2	##.#°C	Fühler 2 (beheizter Fühler) Kerntemperatur. Trifft nur zu, wenn ETOG-Fühler angeschlossen ist. HINWEIS: Die angezeigte Temperatur entspricht nicht der Umgebungstemperatur während der Feuchteerfassung!
MOIST 1	NO	Fühler-1-Feuchtezustand. „YES / NO / Blank“. „Blank“ wird angezeigt, wenn die Temperatur über der Sollwerttemp. liegt oder die Anlage sich im Nachheizmodus befindet.
MOIST 2	NO	Fühler-2-Feuchtezustand. „YES / NO / Blank“. „Blank“ wird angezeigt, wenn die Temperatur über der Sollwerttemp. liegt oder die Anlage sich im Nachheizmodus befindet.
OUT TEMP	##.#°C	Außentemperatur. Trifft nur zu, wenn ETF-Fühler angeschlossen ist.
SUPPLY W.	##.#°C	Vorlaufwassertemperatur, nur bei Hydronic-Anwendung.
RETURN W.	##.#°C	Rücklaufwassertemperatur, nur bei Hydronic-Anwendung.
ALARM	NO	Störmeldung, Fehlertyp wird angezeigt. Rote LED auf der Front blinkt.

ANWENDUNGSINFORMATION

SHOW INFO

APP:	E. 1-ZONE	Anwendungstyp: elektrische oder wasserbasierte Heizung
SW VERSION	1.00	Softwareversion
SENSOR 1	ETOG	Fühlertyp, Fühler 1
SENSOR 2	OFF	Fühlertyp, Fühler 2
SENSOR ETF	OFF	Ob ein ETF-Fühler angeschlossen ist
EXIT		Rückkehr zum Hauptmenü

EINSTELLUNGEN

Bitte beachten, dass fehlerhafte Fühlereinstellung zu unzureichender oder fehlender Eis- und Schneeschmelze führen kann.

Auf OK drücken, um ein Untermenü am Display anzuzeigen.
Den einzustellenden Parameter wählen und auf OK drücken.

SETUP

FORCE HEAT	OFF	Manueller Start von Zwangsheizung. OK drücken und ON wählen um
-------------------	------------	--

Zwangsheizung zu starten. Der ETO2-Regler wird für die Dauer der vorprogrammierten Nachheizzeit die Heizung aktivieren, siehe AFTERRUN 1 und 2.

SELECT SCALE C

Hier ist einzustellen, ob die Temperatur in Grad Celsius (C) oder Fahrenheit (F) angezeigt werden soll. Die gewünschte Skala wählen und auf OK drücken. Auf OK drücken, um zum Menü SETUP zurückzukehren.

SET TEMP 1 3.0C

Sollwerttemperatur für Zone 1: Die Temperatur, bei welcher die Eis- und Schneeschmelzanlage aktiviert werden soll, kann hier eingestellt werden. Die Temperatureinstellung kann innerhalb des Bereichs +50/-20 °C (122/-4 °F) liegen. Die gewünschte Temperatur einstellen und auf OK drücken.

SET TEMP 2 3.0C

Sollwerttemperatur für Zone 2: Die Temperatur, bei welcher die Eis- und Schneeschmelzanlage aktiv wird, kann hier eingestellt werden. Die Temperatureinstellung kann innerhalb des Bereichs +50/-20 °C (122/-4 °F) liegen. Die gewünschte Temperatur einstellen und auf OK drücken.

OFF TEMP 1 OFF

Die niedrigste Betriebstemperatur für Zone 1 kann hier eingestellt werden. Unterhalb dieser Temperatur befindet sich die Anlage im Bereitschaftsmodus. Die Einstellung kann bis hinunter auf -20 °C (-3,9 °F) erfolgen, oder es ist OFF zu wählen. OFF = unbegrenzt. Zum Ändern der minimalen Abschalttemperatur OK betätigen und den Drehcodierschalter auf den gewünschten Wert einstellen, mit OK bestätigen.

OFF TEMP 2 OFF

Die niedrigste Betriebstemperatur für Zone 2 kann hier eingestellt werden. Die Einstellung kann bis hinunter auf -20 °C (-3,9 °F) erfolgen, oder es ist OFF zu wählen. OFF = unbegrenzt. Zum Ändern der minimalen Abschalttemperatur OK betätigen und den Drehcodierschalter auf den gewünschten Wert einstellen, mit OK bestätigen.

AFTERRUN 1 2:00

Nachlaufzeit Zone 1: Eine Nachlaufzeit von 0 bis 18 Stunden kann hier eingestellt werden. Die Anlage wird, nach dem das Feuchte-/Temperatursignal während eines Heizvorgangs verschwindet, für die vorgegebene Dauer den Heizvorgang verlängern. Mit dem Drehcodierschalter die gewünschte Nachheizzeit einstellen und auf OK drücken.

AFTERRUN 2 2:00

Nachlaufzeit Zone 2: Eine Nachlaufzeit von 0 bis 18 Stunden kann hier eingestellt werden. Mit dem Drehcodierschalter die gewünschte Nachlaufzeit einstellen und auf OK drücken.

OFFSET T1 0.0C

Hier lässt sich die Temperatur in Zone 1 kalibrieren. Mit dem ETOG-55-Fühler ist die am ETO2-Display angezeigte Temperatur immer die Kerntemperatur des Fühlers. Betreffend Kalibrierung, siehe OFFSETABGLEICH.

OFFSET T2 0.0C

Hier lässt sich die Temperatur in Zone 2 kalibrieren. Mit dem ETOG-55-Fühler ist die am ETO2-Display angezeigte Temperatur immer die

Kerntemperatur des Fühlers. Betreffend Kalibrierung, siehe OFFSETABGLEICH.

OFFSET OUT. 0.0C

Hier lässt sich die Außentemperatur kalibrieren. Die vom ETF-Außenfühler registrierte Temperatur lässt sich justieren, so dass die exakte Temperatur am ETO2 angezeigt wird. Mit einem Thermometer die Temperatur neben dem Fühler messen. Den erforderlichen Abgleich mit dem Drehcodierschalter vornehmen. Auf OK drücken.

MIN WATER 5.0C

Die minimale Rücklauftemperatur lässt sich hier einstellen. Die gewünschte Mindesttemperatur einstellen und auf OK drücken. Diese Menüoption ist nur bei Anwendung von wasserbasierter Heizung verfügbar.

MAX WATER 55.0C

Die maximale Vorlauftemperatur lässt sich hier einstellen. Die gewünschte Maximaltemperatur einstellen und auf OK drücken. Diese Menüoption ist nur bei Anwendung von wasserbasierter Heizung verfügbar.

SENSOR HEAT AUTO

Im Automatik-Modus wird die Fühlerheizung in Perioden aktiver Schneeschmelze abgeschaltet. Unter besonderen Umständen oder bei extrem kaltem Wetter, kann der Fühler kontinuierlich beheizt werden. ON wählen und OK betätigen.

MOIST CTRL ON

Die Feuchteregelung lässt sich hier abschalten. In diesem Fall wird die Schnee- und Eisschmelze nur mit der eingestellten Temperatur geregelt, siehe SET TEMP. Um die Feuchteregelung auszuschalten, OFF wählen und auf OK drücken.



Bitte beachten, dass sich der Energieverbrauch/die Kosten bei ausgeschalteter Feuchteregelung erhöhen.

SENSITIVITY NORM

Die Fühlerempfindlichkeit lässt sich in 5 Stufen einstellen: MIN: z. B. für salzgestreute Straßen - LOW: z. B. für schmutzigen Schnee - NORM: z. B. für gemischte Schneeerhältnisse - HIGH: z. B. für weißen Schnee - MAX: z. B. für sehr feinen Schnee oder Raureif. Zur Änderung der Empfindlichkeit auf OK drücken, den Drehcodierschalter auf die gewünschte Stufe einstellen, mit OK bestätigen.

LANGUAGE ENGLISH

Gewählte Sprache.

FACTORY RESET

Alle ETO2-Werkseinstellungen lassen sich hier wiederherstellen. Bei Wahl dieser Option werden alle kundenspezifischen Einstellungen gelöscht.

**REINSTALL
REINSTALL
PASSWORD XXXX**

Im Falle eines Einstellungsfehlers im STARTUP-Menü, oder wenn neue Hardware angeschlossen wird, muss die primäre Konfiguration im STARTUP-Menü geändert werden. PASSWORD wählen und den Drehcodierschalter auf den Werkscode (1202) einstellen. Die Steuerung kehrt dann zum STARTUP-Menü zurück, siehe STARTUP.

EXIT

Um zum Hauptmenü zurückzukehren diese Option wählen und auf OK drücken.

NEUSTART

Nach Änderung der Einstellungen oder bei erforderlichem Neustart kann ETO2 mit diesem Menü neu gestartet werden.

RESTART

Startet erneut den Betrieb unter Beibehaltung aller aktuellen Einstellungen. ETO2 wechselt in die ursprüngliche Zustandsanzeige.

OFFSETABGLEICH

Ist ein Abgleich der vom ETOG-Fühler gemessenen Temperatur erforderlich, bitte folgende Schritte beachten:

1. Den Fühler von den Klemmen 11 und 12 (Fühlerheizung) des ETO2 abklemmen.
2. Einige Stunden warten, bis der Fühler die gleiche Temperatur wie der Boden angenommen hat.
3. Die tatsächliche Boden-/Fühlertemperatur messen und mit der am ETO2-Display angezeigten Temperatur vergleichen.
4. Den der Differenz zwischen den beiden Temperaturen (angezeigt/tatsächlich) entsprechenden Abgleich für den betreffenden Fühler programmieren.
Den erforderlichen Abgleich mit dem Drehcodierschalter vornehmen. Auf OK drücken.
5. Den Fühler wieder an die Klemmen 11 und 12 des ETO2 anschließen.

HINWEIS: Mit dem ETOG-Fühler ist die am ETO2-Display angezeigte Temperatur immer die Kerntemperatur des Fühlers.

WERKSEINSTELLUNGEN

KONFIGURATION	WERKSEINSTELLUNGEN	EIGENE EINSTELLUNGEN
Anwendung	Electric	
Fühler 1	ETOG	
Fühler 2	OFF	
Skalenwahl	Celsius	
Nachlaufzeit Zone 1	2,00 Stunden	
Nachlaufzeit Zone 2	2,00 Stunden	
Temp.Abgleich Zone 1	0,0 °C / 0,0 °F	
Temp.Abgleich Zone 2	0,0 °C / 0,0 °F	
Temp.Abgleich ETF	0,0 °C / 0,0 °F	
Sollwerttemperatur Zone 1+2	3,0 °C / 37,4 °F	
Abschalttemperatur Zone 1+2	OFF	
Fühlerheizung Zone 1+2	AUTO	
Feuchtesteuerung Zone 1+2	ON	
Empfindlichkeit Zone 1+2	NORM	
Min. Wassertemperatur	5 °C / 41 °F	
Max. Wassertemperatur	55 °C / 131 °F	

FEHLERSUCHE UND -BEHEBUNG

Sollten Fehler in der Eis- und Schneeschmelzanlage auftreten, bitte zuerst die Einstellungen des ETO2 checken. Das Menü durch Drücken des Drehencoderschalters aktivieren und zur Anzeige der Anwendungseinstellungen SHOW INFO betätigen. Bei Fehlern in der Einstellung, REINSTALL (Wiederherstellung) unter Anwendung des Werkscodes 1202 aktivieren.

Kontrollieren, ob alle Anschlüsse korrekt ausgeführt wurden und alle Kabel sicher in den Klemmen befestigt sind.

FAQ (häufig gestellte Fragen) finden sich auf unserer Website: <http://ojelectronics.com/FAQ---Snowmelting-4040.aspx>.

Eis/Schnee schmilzt nicht

- **Wird am Display HEAT ON (Heizung ein) in Zone 1/2 angezeigt?**

YES:

- o 1-2 Stunden warten.
- o Unter der Schneedecke kontrollieren; beginnt der Schnee zu schmelzen ist die Anlage OK.
- o Die Heizkabel auf Defekt und schlechte oder fehlerhafte Verbindung überprüfen.
- o Möglicherweise ist es zu kalt zum Schneeschmelzen (ungenügende Leistung/m²), d. h. die Heizkabel oder die wasserbasierte Heizanlage ist unterdimensioniert.

NO:

- o Die Temperatur ist höher als SET TEMP (Temp.Sollwert). SET TEMP (Temp.Sollwert) auf höhere Temperatur einstellen.
- o Der Schnee im Bereich des Bodenfühlers ist geschmolzen oder weggefegter Schnee hat den Fühler freigelegt.
AFTERRUN (Nachlaufzeit) erhöhen oder FORCE HEAT (Zwangsheizung) aktivieren.
- o Um den Fühler ist ein Iglueffekt entstanden. Beim Schmelzen hat sich unter dem Schnee um den Bodenfühler ein isolierter Hohlraum gebildet.
FORCE HEAT (Zwangsheizung) aktivieren oder MOIST CTRL (Feuchteregeung) auf OFF (Aus) einstellen.
- o Die Temperatur ist niedriger als die eingestellte OFF TEMP (Abschalttemp.).
Abhängig von der Heizleistung kann die Anlage eine niedrigere Temperaturgrenze haben, bei welcher der Schnee geschmolzen wird. Vor Änderung der OFF TEMP (Abschalttemp.) den Schnee mit FORCED HEAT (Zwangsheizung) zu schmelzen versuchen.

Die Heizung schaltet nicht nach der Eis-/Schneeschmelze ab.

- o Die AFTERRUN-Zeit (Nachlaufzeit) ist zu lang. Die AFTERRUN-Zeit verkürzen und RESTART (Neustart) im Menü aktivieren.
- o Die Feuchteerfassung im ETOG/ETOR-Fühler ist abgeschaltet – MOIST CTRL ON (Feuchtesteuerung Ein) im Menü aktivieren.

Blinkt der rote ALARM-Knopf, ist einer der folgenden Fehler entstanden. Eine entsprechende Meldung wird im ALARM-Menü angezeigt.

„RETURN TEMP LOW“ (Rücklauftemp. niedrig) - Wassertemperatur im Rücklauf ist zu niedrig.

„SUPPLY TEMP HIGH“ (Vorlauftemp. hoch) - Wassertemperatur im Vorlauf ist zu hoch.

„RETURN SENSOR“ (Rücklauffühler)	- Rücklauffühler defekt.
„SUPPLY SENSOR“ (Vorlauffühler)	- Vorlauffühler defekt.
„TEMP SENSOR 1“ (Temp.Fühler 1)	- Temperaturfühler 1 (am Boden oder Dach) defekt.
„TEMP SENSOR 2“ (Temp.Fühler 2)	- Temperaturfühler 2 (am Boden oder Dach) defekt.
„OUTDOOR SENSOR“ (Außenfühler)	- Außenfühler defekt.
„SENSOR HEATER“ (Fühlerheizung)	- Heizelement im Boden oder am Dach kurzgeschlossen.
„FROST PROTECT“ (Frostschutz)	- Frostschutz aktiv wegen niedriger Rücklaufemperatur. (nur bei wasserbasierten Heizanlagen)



Język polski

Instrukcja obsługi



SPIS TREŚCI

Wyjaśnienie pojęć	Strona	66
Wprowadzenie	Strona	66
Pierwsze uruchomienie	Strona	67
Obsługa	Strona	68
Menu główne	Strona	68
Komunikaty na wyświetlaczu	Strona	68
Informacje o zastosowaniu	Strona	69
Ustawienia	Strona	70
Restart	Strona	72
Kalibracja przesunięcia temperatury	Strona	72
Ustawienia fabryczne	Strona	73
Rozwiązywanie problemów	Strona	73

WYJAŚNIENIE POJĘĆ

Strefa 1, 2:	Niezależne strefy grzewcze, z których usuwany jest śnieg i lód poprzez roztopianie
Przycisk programujący:	Przycisk, którego naciskanie lub przekręcanie umożliwia łatwą zmianę ustawień
ETOG-55:	Gruntowy czujnik temperatury i wilgotności
ETOR-55:	Rynnowy czujnik wilgotności
ETOG-56/ETOK-1:	Gruntowy czujnik temperatury i wilgotności do osadzania w podłożu
ETF-744/99:	Zewnętrzny czujnik temperatury
Y/Δ:	Zaawansowana dwustopniowa kontrola elektrycznych układów grzewczych
Dogrzewanie:	Po ustaniu sygnalizacji niskiej temperatury i dużej wilgotności, tj. prawdopodobnym usunięciu śniegu i lodu przez układ grzewczy, ciepło nadal jest podawane przez czas określony przez użytkownika

WPROWADZENIE

ET02 to elektroniczny kontroler, który umożliwia w pełni automatyczne i ekonomiczne usuwanie śniegu i lodu z rynien dachowych oraz terenów zewnętrznych. Połączenie niskiej temperatury i wilgotności powoduje tworzenie się lodu. Czujniki połączone z kontrolerem mierzą te wartości, a system grzewczy jest uruchamiany tylko wtedy, jeśli odczyty obu parametrów wskazują na obecność śniegu i lodu.

Prosty w użyciu przycisk programujący i graficzny podświetlany wyświetlacz zapewniają łatwą i szybką konfigurację oraz odczyt temperatury, statusu, itp.

ETO2 może sterować działaniem elektrycznych przewodów grzewczych w jednej lub dwóch strefach. Posiada również zaawansowaną funkcję dwustopniowej kontroli mocy, która zwiększa ekonomikę eksploatacji.

W przypadku hydraulicznego układu grzewczego, gdy system jest aktywny, wymagana temperatura cieczy zasilającej jest utrzymywana dzięki odpowiedniemu czujnikowi. Jeśli konieczne jest dostarczenie ciepła, następuje uruchomienie pompy obiegowej oraz pompy głównej i otwarcie zaworu o 20% na 1 minutę w celu ustabilizowania systemu.

Gdy nie występuje potrzeba usuwania śniegu i lodu, system aktywuje pompę obiegową na 1 minutę co 15 minut, aby sprawdzić, czy temperatura cieczy powrotnej nie spadła poniżej wymaganej temperatury trybu jałowego. Jeśli tak się stało, następuje pełne uruchomienie układu, by podnieść temperaturę do właściwego poziomu.

PIERWSZE URUCHOMIENIE

SELECT SCALE:
CELSIUS
FAHRENHEIT

Przy pierwszym uruchomieniu ETO2 należy wybrać skalę temperatury – Celsjusza lub Fahrenheita. Przekręcać przycisk aż właściwa skala temperatury zostanie podświetlona. Następnie potwierdzić wybór poprzez naciśnięcie przycisku programującego (OK).

SENSOR 1:
ETOG
ETOR

Na wyświetlaczu pokazuje się SENSOR 1, co umożliwia wybór czujnika podłączonego do wejścia 1:

ETOG : Czujnik gruntowy

ETOR : Czujnik rynnowy + czujnik zewnętrzny

Następnie potwierdzić wybór poprzez naciśnięcie przycisku programującego (OK).

SENSOR 2:
OFF
ETOG
ETOR

Na wyświetlaczu pokazuje się SENSOR 2, co umożliwia wybór czujnika podłączonego do wejścia 2. Jeżeli do wejścia 2 nie podłączono czujnika, należy wybrać OFF.

OUTDOOR SENSOR:
OFF
ETF

Jeśli do zacisków 31-32 podłączony jest zewnętrzny czujnik ETF, wybrać ETF. Jeżeli nie podłączono czujnika ETF, należy wybrać OFF. Następnie potwierdzić wybór poprzez naciśnięcie przycisku programującego (OK).

APPLICATION:
ELECTRIC 1-ZONE
ELECTRIC 2-ZONE
ELECTRIC 2-STAGE
HYDRONIC

Wybrać rodzaj zastosowania przekręcając przycisk i potwierdzić naciśnięciem OK.

ELECTRIC 1-ZONE : kontrola jednostrefowego elektrycznego układu grzewczego. Uwaga: Opcję tę należy wybrać także w przypadku prostej kontroli hydraulicznego układu grzewczego. Rys. 12.

ELECTRIC 2-ZONE: kontrola dwustrefowego elektrycznego układu grzewczego. Uwaga: Opcję tę należy wybrać także w przypadku prostej kontroli hydraulicznego układu grzewczego. Rys. 12.

ELECTRIC 2-STAGE : zaawansowana dwustopniowa kontrola (Y/Δ) jednostrefowego elektrycznego układu grzewczego. Rys. 10.

HYDRONIC : kontrola jednostrefowego hydraulicznego układu grzewczego w zakresie temperatury cieczy zasilającej. Rys. 11.

Wybrać właściwą opcję i potwierdzić naciskając OK. System jest teraz skonfigurowany i rozpocznie działanie w trybie w pełni automatycznym, zgodnie z wstępnie ustawionym standardowym programem, patrz USTAWIENIA FABRYCZNE. Ustawienia fabryczne można zmieniać, patrz USTAWIENIA.

ZONE 1 HEAT	OFF
ZONE 2 HEAT	OFF
AFTERRUN 1	0.00
AFTERRUN 2	0.00
STANDBY	OFF

Na wyświetlaczu widoczny jest teraz status oraz czas dogrzewania dla stref 1 i 2.

OBSŁUGA

ETO2 jest wyposażony w prosty w użyciu przycisk programujący (przyciskany i przekreścany) oraz wyświetlacz informujący o aktualnym statusie systemu. Wyświetlacz jest podświetlany – podświetlenie włącza się po wciśnięciu przycisku programującego (OK), a wyłącza automatycznie po 30 sekundach bezczynności.

Naciśnięcie przycisku programującego powoduje pokazanie głównego menu.

Przekreślenie przycisku umożliwia przeglądanie opcji menu. Nie wszystkie opcje są pokazywane jednocześnie, ale zawsze można uzyskać do nich dostęp przekreślając przycisk.

Naciśnięcie przycisku programującego (OK) umożliwia wybór podświetlonej opcji.

MENU GŁÓWNE

ZONE 1	OFF
ZONE 2	OFF
SENSOR 1	##.##°C
SENSOR 2	##.##°C
MOIST 1	NO
MOIST 2	NO
OUT. TEMP	##.##°C
SUPPLY W.	##.##°C
RETURN W.	##.##°C
ALARM	NO
SHOW INFO	
SETUP	
RESTART	
EXIT	

KOMUNIKATY NA WYŚWIETLACZU

ZONE 1 **OFF** Strefa grzewcza 1 aktywna (ON) lub nieaktywna (OFF).

ZONE 2 **OFF** Strefa grzewcza 2 aktywna (ON) lub nieaktywna (OFF).

SENSOR 1	##.##°C	Temperatura ogrzewanego rdzenia czujnika 1 - tylko jeśli zamontowany jest czujnik ETOG. UWAGA: Wyświetlone wskazanie nie jest równe temperaturze otoczenia czujnika wilgotności!
SENSOR 2	##.##°C	Temperatura ogrzewanego rdzenia czujnika 2 - tylko jeśli zamontowany jest czujnik ETOG. UWAGA: Wyświetlone wskazanie nie jest równe temperaturze otoczenia czujnika wilgotności!
MOIST 1	NO	Status czujnika wilgotności 1. YES (TAK) / NO (NIE) / Puste pole. Puste pole pokazuje się, gdy temperatura przekracza wartość SET TEMP oraz w trakcie ustawionego czasu dogrzewania.
MOIST 2	NO	Status czujnika wilgotności 2. TAK / NIE / Puste pole. Puste pole pokazuje się, gdy temperatura przekracza wartość SET TEMP oraz w trakcie ustawionego czasu dogrzewania.
OUT TEMP	##.##°C	Temperatura otoczenia na zewnątrz – tylko jeśli zamontowany jest czujnik ETF.
SUPPLY W.	##.##°C	Odczyt temperatury cieczy zasilającej – tylko przy zastosowaniu hydraulicznego układu grzewczego.
RETURN W.	##.##°C	Odczyt temperatury cieczy powrotnej – tylko przy zastosowaniu hydraulicznego układu grzewczego.
ALARM	NO	Komunikat o błędzie, wyświetla się rodzaj błędu. Czerwona dioda LED na przodzie urządzenia miga.

INFORMACJE O ZASTOSOWANIU

SHOW INFO

APP:	E. 1-ZONE	Rodzaj zastosowania: elektryczny lub hydrauliczny układ grzewczy.
SW VERSION	1.00	Wersja oprogramowania.
SENSOR 1	ETOG	Typ czujnika, czujnik 1.
SENSOR 2	OFF	Typ czujnika, czujnik 2.
SENSOR ETF	OFF	Status czujnika ETF – podłączony lub nie.
EXIT		Powrót do menu głównego.

USTAWIENIA

Niewłaściwe ustawienia czujników mogą powodować małą skuteczność usuwania śniegu i lodu, a nawet jego brak.

Po naciśnięciu OK na wyświetlaczu pokazuje się podmenu. Należy wybrać właściwy parametr i nacisnąć OK.

SETUP

FORCE HEAT OFF

Ręczne uruchomienie ogrzewania w trybie wymuszonym. Aby uruchomić ogrzewanie w trybie wymuszonym, należy nacisnąć OK i wybrać ON. Kontroler ETO2 będzie zapewniał podawanie ciepła przez uprzednio zaprogramowany czas dogrzewania, patrz AFTERRUN 1 i 2.

SELECT SCALE C

Tutaj można wybrać skalę, w której wyświetlane będą odczyty temperatury – Celsjusza (C) lub Fahrenheita (F). Wybrać właściwą skalę i nacisnąć OK. Ponownie nacisnąć OK, by powrócić do menu SETUP (USTAWIENIA).

SET TEMP 1 3.0C

Ustawienie temperatury dla strefy 1: Tutaj można ustawić temperaturę, przy której będzie następowało uruchomienie systemu przeciwołodziennowego. Zakres nastawy wynosi od +50 do -20°C (od +122 do -4°F). Wybrać właściwą temperaturę i nacisnąć OK.

SET TEMP 2 3.0C

Ustawienie temperatury dla strefy 2: Tutaj można ustawić temperaturę, przy której będzie następowało uruchomienie systemu przeciwołodziennowego. Zakres nastawy wynosi od +50 do -20°C (od +122 do -4°F). Wybrać żadaną temperaturę i nacisnąć OK.

OFF TEMP 1 OFF


Tutaj można ustawić najniższą temperaturę działania systemu dla strefy 1. W temperaturze niższej od ustawionej wartości, system będzie przechodził w tryb czuwania. Dolna wartość nastawy może wynosić nawet -20°C (-3,9°F); można też ustawić OFF (OFF = brak ograniczenia). Aby zmienić dolną wartość temperatury odcięcia ogrzewania, należy nacisnąć OK, ustawić pokrętko w odpowiedniej pozycji (przy żądanej wartości) i potwierdzić ponownie wciskając OK.

OFF TEMP 2 OFF

Tutaj można ustawić najniższą temperaturę działania systemu dla strefy 2. Dolna wartość nastawy może wynosić nawet -20°C (-3,9°F); można też ustawić OFF (OFF = brak ograniczenia). Aby zmienić dolną wartość temperatury odcięcia ogrzewania, należy nacisnąć OK, ustawić pokrętko w odpowiedniej pozycji (przy żądanej wartości) i potwierdzić ponownie wciskając OK.

AFTERRUN 1 2:00

Czas dogrzewania dla strefy 1: Tutaj można ustawić czas dogrzewania – od 0 do 18 godzin. Po ustaniu sygnalizacji niskiej temperatury i dużej wilgotności, tj. prawdopodobnym usunięciu śniegu i lodu przez układ grzewczy, ciepło nadal będzie podawane przez czas określony przez użytkownika. Ustawić czas dogrzewania za pomocą przycisku programującego i nacisnąć OK.

- AFTERRUN 2 2:00** Czas dogrzewania dla strefy 2: Tutaj można ustawić czas dogrzewania – od 0 do 18 godzin. Ustawić czas dogrzewania za pomocą przycisku programującego i nacisnąć OK.
- OFFSET T1 0.0C** Tutaj można skalibrować odczyt temperatury dla strefy 1. Jeśli zainstalowany jest czujnik ETOG-55, temperatura na wyświetlaczu ETO2 jest zawsze temperaturą rdzenia czujnika. Informacje na temat sposobu kalibracji znajdują się w rozdziale KALIBRACJA PRZESUNIĘCIA TEMPERATURY.
- OFFSET T2 0.0C** Tutaj można skalibrować odczyt temperatury dla strefy 2. Jeśli zainstalowany jest czujnik ETOG-55, temperatura na wyświetlaczu ETO2 jest zawsze temperaturą rdzenia czujnika. Informacje na temat sposobu kalibracji znajdują się w rozdziale KALIBRACJA PRZESUNIĘCIA TEMPERATURY.
- OFFSET OUT. 0.0C** Tutaj można skalibrować odczyt temperatury zewnętrznej. Odczyt podawany przez czujnik ETF można skalibrować tak, by wyświetlacz ETO2 wskazywał dokładną faktyczną wartość temperatury. W tym celu należy zmierzyć temperaturę przy czujniku za pomocą termometru i ustawić niezbędne przesunięcie temperatury używając przycisku programującego. Nacisnąć OK.
- MIN WATER 5.0C** Tutaj można ustawić minimalną temperaturę cieczy powrotnej. Wybrać właściwą temperaturę i nacisnąć OK.
Ta opcja menu jest dostępna tylko w przypadku stosowania hydraulicznego układu grzewczego.
- MAX WATER 55.0C** Tutaj można ustawić maksymalną temperaturę cieczy zasilającej. Wybrać właściwą temperaturę i nacisnąć OK.
Ta opcja menu jest dostępna tylko w przypadku stosowania hydraulicznego układu grzewczego.
- SENSOR HEAT AUTO** W trybie automatycznym ogrzewanie czujnika temperatury wyłącza się, gdy system przeciwołodzienny jest aktywny. W szczególnych sytuacjach lub przy wyjątkowo niskiej temperaturze można wybrać opcję ciągłego ogrzewania. Wybrać ON i nacisnąć OK.
- MOIST CTRL ON** Tutaj można wyłączyć kontrolę za pomocą czujnika wilgotności. W takim przypadku kontroler będzie sterował usuwaniem śniegu i lodu korzystając jedynie z ustawienia temperatury, patrz SET TEMP. Aby wyłączyć kontrolę za pomocą czujnika wilgotności należy wybrać ON i nacisnąć OK.
-  *Należy pamiętać o tym, że brak kontroli wilgotności wiąże się z dużym zużyciem energii, a tym samym wysokimi kosztami eksploatacji systemu.*
- SENSITIVITY NORM** Czułość czujnika można regulować w pięciostopniowej skali: MIN: np. dla dróg posypanych solą - LOW (NISKI); np. dla śniegu zanieczyszczonego

- NORM: np. dla śniegu niejednorodnego - HIGH (WYSOKI): np. dla czystego, białego śniegu - MAX (MAKS.): np. dla bardzo czystego śniegu lub szronu. Aby zmienić czułość czujnika, należy nacisnąć OK, ustawić pokrętko w odpowiedniej pozycji i potwierdzić ponownie wciskając OK.

JĘZYK POLSKI

Ustawienie języka.

FACTORY RESET

Tutaj można przywrócić wszystkie ustawienia fabryczne ETO2. Wybór tej opcji kasuje wszelkie ustawienia wprowadzone przez użytkownika.

REINSTALL

REINSTALL
PASSWORD XXXX

W razie wystąpienia błędów w ustawieniach lub w przypadku podłączania nowych elementów układu, konieczna jest zmiana ustawień głównych w menu STARTUP. Należy wybrać PASSWORD i za pomocą przycisku programującego ustawić kod fabryczny (1202). Kontroler wyświetli menu STARTUP, patrz PIERWSZE URUCHOMIENIE.

EXIT

Wybór tej opcji i naciśnięcie OK powoduje powrót do głównego menu.

RESTART

W tym menu można zrestartować ETO2 w po zmianie ustawień lub w przypadku inicjalizacji nowego procesu.

RESTART

Restart przy zachowaniu wszystkich aktualnych ustawień. ETO2 wyświetli menu statusu początkowego.

KALIBRACJA PRZESUNIĘCIA TEMPERATURY

Jeśli zachodzi konieczność skalibrowania odczytu temperatury dokonywanego przez czujnik ETOG, należy postępować zgodnie z poniższym opisem:

1. Odłączyć czujnik od zacisków 11 i 12 (ogrzewanie czujnika) ETO2.
2. Poczekać kilka godzin, aż temperatura czujnika zrówna się z temperaturą gruntu.
3. Zmierzyć faktyczną temperaturę gruntu/czujnika i porównać ją z wynikiem na wyświetlaczu ETO2.
4. Zaprogramować przesunięcie temperatury niwelujące różnicę między odczytem na wyświetlaczu a dokładną faktyczną temperaturą.
5. Ponownie podłączyć czujnik do zacisków 11 i 12 ETO2.

UWAGA: Jeśli zainstalowany jest czujnik ETOG, temperatura na wyświetlaczu ETO2 jest zawsze temperaturą rdzenia czujnika.

USTAWIENIA FABRYCZNE

PARAMETR	USTAWIENIA FABRYCZNE	USTAWIENIA UŻYTKOWNIKA
Zastosowanie	Elektryczny układ grzewczy	
Czujnik 1	ETOG	
Czujnik 2	OFF (WYŁĄCZONA)	
Skala temperatury	Celsjusza	
Czas dogrzewania dla strefy 1	2 godziny	
Czas dogrzewania dla strefy 2	2 godziny	
Przesunięcie temp., strefa 1	0,0°C / 0,0°F	
Przesunięcie temp., strefa 2	0,0°C / 0,0°F	
Przesunięcie temp., ETF	0,0°C / 0,0°F	
Ustawienie temperatury, strefy 1+2	3,0°C / 37,4°F	
Temperatura wyłączenia, strefy 1+2	OFF (WYL.)	
Ogrzewanie czujnika, strefy 1+2	AUTO (TRYB AUTOMATYCZNY)	
Kontrola wilgotności, strefy 1+2	ON (WŁĄCZONA)	
Czułość, strefy 1+2	NORM	
Min. temp. cieczy grzewczej	5°C / 41°F	
Maks. temp. cieczy grzewczej	55°C / 131°F	

ROZWIĄZYWANIE PROBLEMÓW

W przypadku pojawienia się nieprawidłowości w działaniu systemu przeciwołodziennego, zaleca się sprawdzenie stosowanych ustawień kontrolera ETO2. W tym celu należy nacisnąć przycisk programujący, aby wejść do menu. Wybrać SHOW INFO (POKAŻ INFO) i odczytać ustawienia. W przypadku błędów w ustawieniach, należy uruchomić funkcję REINSTALL (REINSTALACJA) za pomocą fabrycznego kodu 1202.

Następnie należy sprawdzić, czy wszystkie połączenia elementów instalacji są prawidłowe i czy przewody są dobrze umocowane na zaciskach.

Odpowiedzi na pytania najczęściej zadawane przez użytkowników ETO2 znajdują się na stronie internetowej: www.ojelectronics.com / support / FAQ – Snowmelting.

Lód/śnieg nie topnieje

- **Czy na wyświetlaczu znajduje się komunikat HEAT ON (OGRZEWANIE WŁĄCZONE) w strefie 1 / 2?**

TAK:

- o Odczekać 1-2 godziny.
- o Sprawdzić, czy warstwa śniegu/łodu zaczyna się roztopiać od spodu. Jeśli tak, to system jest sprawny.
- o Sprawdzić stan przewodów grzewczych pod kątem usterek i nieprawidłowych bądź obluzowanych połączeń.
- o Być może jest zbyt zimno, by system działał efektywnie (niewystarczająca moc/m²) lub układ grzewczy jest niedowymiarowany.

NIE:

- o Temperatura jest wyższa niż wartość SET TEMP (TEMPERATURA USTAWIONA). Ustawić wyższą wartość temperatury w pozycji SET TEMP.
- o Śnieg wokół czujnika gruntowego roztopił się lub wiatr odsłonił czujnik. Ustawić dłuższy czas dogrzewania w pozycji AFTERRUN (DOGRZEWANIE) lub włączyć FORCE HEAT (OGRZEWANIE WYMUSZONE).
- o Wokół czujnika utworzył się „efekt igloo” w postaci pustej zamkniętej komory wytopionej w śniegu. Uruchomić FORCE HEAT (OGRZEWANIE WYMUSZONE) lub ustawić MOIST CTRL (KONTROLA WILGOTNOŚCI) w pozycji OFF.
- o Temperatura jest niższa niż ustawienie OFF TEMP (TEMPERATURA WYŁĄCZENIA). Zależnie od wydajności układu grzewczego, może on mieć niższą dolną granicę temperatury, w której działa system roztopiania śniegu i lodu. Przed zmianą OFF TEMP należy spróbować opcji FORCE HEAT.

Po roztopieniu śniegu i lodu nie następuje wyłączenie ogrzewania

- o Ustawiony czas dogrzewania jest za długi – należy go skrócić w pozycji AFTERRUN i uruchomić RESTART w menu głównym.
- o Wykrywanie wilgoci przez czujnik ETOG/ETOR jest wyłączone – w menu należy ustawić MOIST CTRL w pozycji ON.

Jeśli kontrolka alarmu miga na czerwono, oznacza to, że wystąpił jeden z poniższych błędów. W menu ALARM wyświetla się odpowiedni komunikat.

- “RETURN TEMP LOW” - Temperatura cieczy powrotnej jest za niska.
- “SUPPLY TEMP HIGH” - Temperatura cieczy zasilającej jest za wysoka.
- “RETURN SENSOR” - Uszkodzony czujnik temperatury cieczy powrotnej.
- “ SUPPLY SENSOR” - Uszkodzony czujnik temperatury cieczy zasilającej.
- “TEMP SENSOR 1” - Uszkodzony czujnik temperatury 1 (gruntowy lub dachowy).
- “TEMP SENSOR 2” - Uszkodzony czujnik temperatury 2 (gruntowy lub dachowy).
- “OUTDOOR SENSOR” - Uszkodzony czujnik zewnętrzny.
- “SENSOR HEATER” - Zwarcie elementu grzewczego czujnika gruntowego lub dachowego.
- “FROST PROTECT” - Ochrona przed zamarzaniem aktywna z powodu niskiej temperatury cieczy powrotnej (tylko hydrauliczne układy grzewcze).



Norsk

Bruksanvisning



INNHOOLD

Ordliste	Side	75
Innledning	Side	75
Oppstart	Side	76
Betjening	Side	77
Hovedmeny	Side	77
Displaytekster	Side	77
Informasjon om bruk	Side	78
Innstillinger	Side	78
Gjenstart	Side	80
Kompensasjonskalibrering	Side	80
Fabrikkinnstillinger	Side	81
Felfinning	Side	81

ORDLISTE

Sone 1, 2:	Uavhengige varmesoner der is og snø kan bli smeltet.
Programmeringsknapp:	Knapp som kan trykkes inn eller dreies for enkelt valg av innstillinger.
ETOG-55:	Bakkeføler for registrering av temperatur og fuktighet.
ETOR-55:	Takrenneføler for registrering av fuktighet.
ETOG-56/ETOK-1:	Innbygget bakkeføler for registrering av fuktighet og temperatur.
ETF-744/99:	Uteføler for temperaturregistrering.
Y/Δ:	Avansert 2-trinns regulering av elektriske varmesystemer.
Ettervarme:	Den varmen systemet leverer i et bestemt tidsrom etter at fuktighets-/temperatursignalet i en varmesyklus er opphørt.

INNLEDNING

Type ETO2 er en elektronisk styreenhet for helautomatisk, økonomisk is- og snøsmelting på uteområder og i takrenner. Is dannes som følge av en kombinasjon av fuktighet og lav temperatur. ETO2 registrerer både temperatur og fuktighet og varmesystemet vil bare bli slått på hvis en risiko for snø eller is indikeres av begge parametrene.

En lettbetjent programmeringsknapp og bakgrunnsbelyst grafikkdisplay sikrer rask og enkel innstilling og lett visning av temperatur, status, mv.

ETO2 er egnet til styring av elektriske varmekabler i 1 eller 2 soner. Den har også avansert totrinns effektregulering for økonomisk drift.

Ved vannbasert oppvarming vil føleren opprettholde den ønskede turvannstemperaturen når systemet er i drift. Når det er behov for varme, vil både sirkulasjons- og hovedpumpene bli startet, og ventilen vil åpne 20 % i ett minutt for å la systemet stabilisere seg.

Når det ikke er behov for is- eller snøsmelting, går sirkulasjonspumpen i ett minutt hvert femtende minutt for å kontrollere om returvannstemperaturen har falt under krevet "stillstandstemperatur." I så fall starter systemet for fullt for å heve temperaturen på returvannet til krevet nivå.

OPPSTART

SELECT SCALE:
CELSIUS
FAHRENHEIT

Når ETO2 blir slått på første gang, må man velge mellom Celsius og Fahrenheit. Drei programmeringsknappen til ønsket temperaturskala blir markert. Aksepter valget ved å trykke på programmeringsknappen.

SENSOR 1:
ETOG
ETOR

SENSOR 1 [føler 1] blir vist i displayet, og man kan velge følertype koblet til inngang 1:

ETOG : Bakkeføler

ETOR : Takrenneføler + utendørsføler

Aksepter valget ved å trykke på programmeringsknappen.

SENSOR 2:
OFF
ETOG
ETOR

SENSOR 2 [føler 2] blir deretter vist i displayet, og man kan velge følertype koblet til inngang 2. Hvis det ikke er koblet en føler til inngang 2, velger man OFF [av].

OUTDOOR SENSOR:
OFF
ETF

Velg ETF hvis en ETF utendørsføler er koblet til klemme 31–32.

Hvis ingen ETF følere er koblet til, velger du OFF [av]. Aksepter valget ved å trykke på programmeringsknappen.

APPLICATION:
ELECTRIC 1-ZONE
ELECTRIC 2-ZONE
ELECTRIC 2-STAGE
HYDRONIC

Velg anvendelsesområde ved å dreie og trykke på programmeringsknappen (OK).

ELEKTRISK 1-SONE: 1-soner elektrisk varmeregulering. Merk: brukes også ved enkel vannbåret (fig. 12)

ELEKTRISK 2-SONE: 2-soner elektrisk varmeregulering. Merk: brukes også ved enkel vannbåret (fig. 12).

ELEKTRISK 2-TRINNS: Avansert 2-trinns elektrisk varmeregulering (Y/Δ) av 1 sone (fig. 10).

VANNBÅRET: 1-soner styring for vannbåret varme med turvannstyring (fig. 11).

Velg riktig alternativ, og trykk OK. Systemet er nå satt opp, og vil regulere helautomatisk i overensstemmelse med forhåndsinnstilt standardprogram, se FABRIKKINNSTILLINGER. Man kan også endre innstillingene, se INNSTILLINGER.

ZONE 1 HEAT	OFF
ZONE 2 HEAT	OFF
AFTERRUN 1	0.00
AFTERRUN 2	0.00
STANDBY	OFF

Status- og ettervarmedata for sone 1 og 2 blir nå vist i displayet.

BETJENING

ETO2 er utstyrt med en lettbetjent programmeringsknapp (drei og trykk) og et display som viser aktuell tilstand. Displayet er bakgrunnsbelyst og lyser opp når man trykker på programmeringsknappen (OK). Lyset slås automatisk av etter 30 sekunder.

Trykk på programmeringsknappen, og hovedmenyen blir vist i displayet.

Drei knappen for å rulle gjennom alternativene. Ikke alle alternativene blir vist samtidig i displayet, men de kan tilgås ved å dreie på programmeringsknappen.

Trykk OK for å velge et markert alternativ.

HOVEDMENY

ZONE 1	OFF
ZONE 2	OFF
SENSOR 1	##.#°C
SENSOR 2	##.#°C
MOIST 1	NO
MOIST 2	NO
OUT. TEMP	##.#°C
SUPPLY W.	##.#°C
RETURN W.	##.#°C
ALARM	NO
SHOW INFO	
SETUP	
RESTART	
EXIT	

DISPLAYTEKSTER

ZONE 1 **OFF** Oppvarming sone 1 aktiv (ON [på]) eller inaktiv (OFF [av])

ZONE 2 **OFF** Oppvarming sone 2 aktiv (ON [på]) eller inaktiv (OFF [av])

SENSOR 1 **##.#°C** Føler 1 (oppvarmet føler) kjernetemperatur. Gjelder bare når ETOG-føler er koblet til. MERK: Vist temperatur er ikke den samme som omgivelsestemperatur ved fuktighetsregistrering!

SENSOR 2 **##.#°C** Føler 2 (oppvarmet føler) kjernetemperatur. Gjelder bare når ETOG-føler er koblet til. MERK: Vist temperatur er ikke den samme som omgivelsestemperatur ved fuktighetsregistrering!

MOIST 1 **NO** Føler 1, fuktighetsstatus. YES [ja] / NO [nei] / Ingenting. Det vises ingenting hvis temperaturen er over Set Temp. [innstilt temperatur]- eller system er i AFTERRUN [ettervarme]-tilstand.

MOIST 2 **NO** Føler 2, fuktighetsstatus. YES [ja] / NO [nei] / Ingenting. Det vises ingenting hvis temperaturen er over Set Temp. [innstilt temperatur]- eller system er i AFTERRUN [ettervarme]-tilstand.

OUT TEMP **##.#°C** Utetemperatur. Gjelder bare når ETF-føler er koblet til.

SUPPLY W. **##.#°C** Turvannstemperatur, kun vannbåret varmeanlegg.

RETURN W. **##.#°C** Returvannstemperatur, kun vannbåret varmeanlegg.

ALARM **NO** Feilmelding, feiltype vises. Rød LED på fronten av enheten blinker.

INFORMASJON OM BRUK

SHOW INFO

APP: **E. 1-ZONE** Anleggstype: elektrisk eller vannbåret varme

SW VERSION **1.00** Programvareversjon

SENSOR 1 **ETOG** Følertype, føler 1

SENSOR 2 **OFF** Følertype, føler 2

SENSOR ETF **OFF** Om en ETF-føler er koblet til

EXIT Tilbake til hovedmeny

INNSTILLINGER

Legg merke til at feil føleroppsettning kan gi dårlig eller manglende is- og snøsmelting. Trykk OK, og en undermeny vil bli vist i displayet. Velg parameter som skal innstilles, og trykk OK.

SETUP

FORCE HEAT **OFF** Manuell start av tvungen oppvarming. Trykk OK, og velg ON [på] for start av tvungen varme. ETO2-styreenheten vil varme i den forhåndsprogrammerte ettervarmetiden, se AFTERRUN 1 og 2.

SELECT SCALE **C** Temperaturvisning i Celsius (C) eller Fahrenheit (F) kan innstilles her. Velg ønsket skala, og trykk OK. Trykk OK for å gå tilbake til SETUP [oppsettning]-menyen.

SET TEMP 1 3.0C

Velg temperatur for Sone 1: Temperaturen der is- og snøsmelting er aktiv, kan innstilles her. Temperaturinnstillingen kan justeres innenfor området +50/-20 °C (122/-4 °F). Velg ønsket temperatur, og trykk OK.

SET TEMP 2 3.0C

Velg temperatur for Sone 2: Temperaturen der is- og snøsmelting er aktiv, kan innstilles her. Temperaturinnstillingen kan justeres innenfor området +50/-20 °C (122/-4 °F). Velg ønsket temperatur, og trykk OK.

OFF TEMP 1 OFF

Nedre driftstemperatur for sone 1 kan innstilles her. Under denne temperaturen vil systemet være i standby-modus. Innstillingen kan være så lav som -20 °C (-3,9 °F), eller man kan velge OFF [av]. OFF = ingen grense. Vil du endre til en minimums OFF-temperatur, trykker du OK og dreier programmeringsknappen til ønsket verdi. Bekreft med OK.

OFF TEMP 2 OFF

Nedre driftstemperatur for sone 2 kan innstilles her. Innstillingen kan være så lav som -20 °C (-3,9 °F), eller man kan velge OFF [av]. OFF = ingen grense. Vil du endre til en minimums OFF-temperatur, trykker du OK og dreier programmeringsknappen til ønsket verdi. Bekreft med OK.

AFTERRUN 1 2:00

Ettervarmetid sone 1: Ettervarmetid mellom 0 og 18 timer kan innstilles her. Systemet vil fortsette med å varme i angitt tid etter at fuktighets-/temperatursignal er opphevet av en varmesyklus. Bruk programmeringsknappen til å innstille ønsket ettervarmetid, og trykk OK.

AFTERRUN 2 2:00

Ettervarmetid sone 2 : Ettervarmetid mellom 0 og 18 timer kan innstilles her. Bruk programmeringsknappen til å innstille ønsket ettervarmetid, og trykk OK.

OFFSET T1 0.0C

Sone 1-temperatur kan kalibreres her. Med ETOG-55-føleren er vist temperatur på ETO2 alltid kjernetemperaturen for føleren. For kalibrering, se *KOMPENSASJONSKALIBRERING*.

OFFSET T2 0.0C

Sone 2-temperatur kan kalibreres her. Med ETOG-55-føleren er vist temperatur på ETO2 alltid kjernetemperaturen for føleren. For kalibrering, se *KOMPENSASJONSKALIBRERING*.

OFFSET OUT. 0.0C

Utetemperatur kan kalibreres her. Temperaturen som er registrert av ETF utendørsføler, kan justeres slik at nøyaktig temperatur vises på ETO2. Mål temperaturen ved siden av føleren med et termometer. Juster om nødvendig temperaturen med programmeringsknappen. Trykk OK.

MIN WATER 5.0C

Minimum returvannstemperatur kan innstilles her. Velg ønsket minimumstemperatur, og trykk OK. Dette menyalternativet vises bare ved vannbåret oppvarming.

MAX WATER 55.0C

Maksimum turvannstemperatur kan innstilles her. Velg maksimumstemperatur, og trykk OK. Dette menyalternativet vises bare ved vannbåret oppvarming.

SENSOR HEAT AUTO

I auto-modus slukker føleroppvarmingen i perioder der snøsmelting er aktiv. Ved spesielle betingelser eller i ekstremt kaldt vær kan føleren bli oppvarmet kontinuerlig. Velg ON [på], og trykk OK.

MOIST CTRL ON

Fuktighetsstyring kan slå av her. Hvis det skjer vil snø- og is-smelting bare være styrt av innstilt temperatur, se SET TEMP [innstilt temperatur]. Velg OFF [av] for å slå av fuktighetsstyring og trykk OK.



Legg merke til at energiforbruket/-kostnadene vil stige hvis fuktighetsstyringen er slått av.

SENSITIVITY NORM

Følerens følsomhet kan justeres i fem trinn: MIN: f.eks. for saltede veier - LOW [lav]: f.eks. for skitten snø - NORM: f.eks. for forhold med blandet snø - HIGH [høy]: f.eks. for ren snø - MAX: f.eks. for svært ren snø eller rimfrost. Endre følsomhet ved å trykke på OK og dreie innstillingsbryteren. Bekreft med OK.

SPRÅK NORSK

Språkinformasjon.

FACTORY RESET

Alle ETO2s fabrikkinnstillinger kan gjendannes her. Velger du dette alternativet slettes alle dine egne innstillinger.

REINSTALL

REINSTALL
PASSWORD XXXX

Hvis oppstarten misslykkes i STARTUP [oppstart]-menyen, eller når ny maskinvare blir koblet til, må opprinnelig oppsettning endres i STARTUP [oppstart]-menyen. Velg PASSWORD [passord] og sett programmeringsknappen på fabrikkkode (1202). Styreenheten vil da gå til STARTUP [oppstart]-menyen, se STARTUP [oppstart].

EXIT

Velg dette alternativet, og trykk OK for å gå tilbake til hovedmenyen.

GJENSTART

Hvis du har endret innstillingene eller ønsker å starte en prosess på ny, kan ETO2 gjenstartes i denne menyen.

RESTART

Gjenstarter driften og beholder alle dine aktuelle innstillinger. ETO2 viser skjermbildet for utgangsstatus.

KOMPENSASJONSKALIBRERING

I tilfelle det er nødvendig å kalibrere temperaturen som måles av ETOG-føleren, vennligst følg trinnene nedenfor:

1. Koble føleren fra klemmene 11 og 12 (føleroppvarmingen) for ETO2.
2. Vent noen få timer til føleren har fått samme temperatur som bakken.

3. Mål den virkelige bakke-/følertemperaturen, og sammenlign det med den temperaturen som vises på ETO2-displayet.
4. Innstill kompensasjonen for føleren slik at den passer til differansen mellom de to temperaturene (vist/faktisk).
Juster om nødvendig temperaturen med programmeringsknappen. Trykk OK.
5. Koble føleren til klemme 11 og 12 på ETO2.

MERK: Med ETOG-føleren er vist temperatur på ETO2 alltid kjernetemperaturen for føleren.

FABRIKKNINSTILLINGER

OPPSETTING	FABRIKKNINSTILLINGER	EGNE INNSTILLINGER
Bruk	Elektrisk	
Føler 1	ETOG	
Føler 2	OFF [av]	
Velg skala	Celsius	
Ettervarmetid sone 1	2,00 timer	
Ettervarmetid sone 2	2,00 timer	
Temp.-kompensasjon Sone 1	0,0 °C / 0,0 °F	
Temp.-kompensasjon Sone 2	0,0 °C / 0,0 °F	
Temp.-kompensasjon ETF	0,0 °C / 0,0 °F	
Innstill temperatur sone 1+2	3,0 °C / 37,4 °F	
OFF-temperatur sone 1+2	OFF [av]	
Føleroppvarming sone 1+2	AUTO	
Fuktighetsstyring sone 1+2	ON [på]	
Følsomhet sone 1+2	NORM	
Min. vanntemperatur	5 °C / 41 °F	
Maks. vanntemperatur	55 °C / 131 °F	

FEILFINNING

Hvis det oppstår feil i is- og snøsmeltesystemet, er det tilrådelig å kontrollere oppsetningen av ETO2. Aktiver menyen ved å trykke på programmeringsknappen, og velg SHOW INFO [vis info] for å få vist bruksinnstillingene. Hvis det er feil i oppsetningen, aktiveres REINSTALL (gjeninstaller) vha. fabrikkode 1202.

Kontroller at alle koblinger er korrekt utført og at alle kabler er festet med festeklammer.

For svar på OSS, vennligst besøk vår hjemmeside: www.ojelectronics.com / support / FAQ – Snowmelting.

Is/snø smelter ikke

- **Viser displayet HEAT ON (varme på) i sone 1 / 2 ?**

JA:

- o Vent i 1-2 timer.
- o Kontroller under snøen. Hvis snøen begynner å smelte, er systemet i orden.
- o Kontroller varmekabler for skader og dårlige eller feilaktige koblinger.
- o Det kan være for kaldt til snøsmelting (utilstrekkelig effekt/m²), f.eks. varmekabler eller varmerør er underdimensjonert.

NO:

- o Temperaturen er høyere enn SET TEMP (innstilt temperatur). Juster SET TEMP (innstilt temperatur) til høyere temperatur.
- o Snøen omkring bakkeføleren har smeltet, eller snøfokk har frilagt føleren. Øk tiden for AFTERRUN [ettervarme] eller aktiver FORCE HEAT [tvungen varme].
- o En igloo-effekt har oppstått omkring føleren. Bakkeføleren har smeltet et isolerende hulrom under snøen. Aktiver FORCE HEAT [tvungen varme] eller sett MOIST CTRL OFF [fuktighetsstyring av].
- o Temperaturen er lavere enn innstilling for OFF TEMP [slukketemperatur]. Avhengig av varmeeffekt kan systemet ha en lavere temperaturgrense der snøen kan bli smeltet. Prøv å smelte snøen med FORCE HEAT [tvungen varme] før endring av [OFF TEMP] [slukketemperatur].

Varmen slås ikke av etter at isen/snøen er smeltet

- o Tid for AFTERRUN [ettervarme] er for lang, reduser tid for AFTERRUN [ettervarme], og aktiver RESTART [gjenstart] i menyen.
- o Fuktighetsregistrering i ETOG/ETOR-føler slås av – aktiver MOIST CTRL ON [fuktighetsstyring på] i menyen.

Hvis rød ALARM-knapp blinker, er en av følgende feil oppstått. Den relevante meldingen vises i ALARM-menyen.

- “RETURN TEMP LOW” - Vanntemperatur i returledningen er for lav.
- “SUPPLY TEMP HIGH” - Vanntemperatur i turledningen er for høy.
- “RETURN SENSOR” - Føler i returledningen er defekt.
- “SUPPLY SENSOR” - Føler i turledningen er defekt.
- “TEMP SENSOR 1” - Temperaturføler 1 (i bakken eller på taket) er defekt.
- “TEMP SENSOR 2” - Temperaturføler 2 (i bakken eller på taket) er defekt.
- “OUTDOOR SENSOR” - Utetemperaturføleren er defekt.
- “SENSOR HEATER” - Føler for varmeelement i bakken eller på taket er kortslettet.
- “FROST PROTECT” - Frostvern aktivt på grunn av lav returtemperatur. (kun vannbårne systemer)



Français

Manuel de l'utilisateur



TABLE DES MATIÈRES

Glossaire	Page	83
Introduction	Page	83
Démarrage	Page	84
Fonctionnement	Page	85
Menu principal	Page	85
Textes affichés	Page	85
Informations d'application	Page	86
Réglages	Page	86
Redémarrage	Page	89
Calibration d'offset	Page	89
Réglages d'usine	Page	89
Recherche de pannes	Page	90

GLOSSAIRE

Zone 1, 2 :	Zones de chauffage indépendantes où la glace et la neige peuvent être fondues.
Bouton de l'encodeur :	Bouton qui peut être tourné ou appuyé pour facilement configurer les réglages.
ETOG-55:	Sonde de sol pour détecter l'humidité et la température.
ETOR-55:	Sonde de gouttière pour détecter l'humidité.
ETOG-56/ETOK-1:	Sonde de sol encastrée pour détecter l'humidité et la température.
ETF-744/99:	Sonde extérieure pour détecter la température.
Y/Δ :	Contrôle avancé 2 étapes des systèmes de chauffage électrique.
Post-chauffage :	La chaleur fournie par le système, pendant une durée spécifique, après que le signal d'humidité/température a été éliminé par un cycle de chauffage.

INTRODUCTION

Le type ETO2 est un contrôleur électronique pour la fonte totalement automatique et économique de la glace et la neige sur les surfaces extérieures et dans les gouttières. La glace se forme en cas de basses températures et d'humidité. ETO2 détecte autant la température que l'humidité et le système de chauffage sera activé uniquement si les deux paramètres annoncent une possibilité de neige ou de glace.

Un encodeur facile à utiliser et un afficheur rétroéclairé permettent une configuration rapide et facile en plus d'une indication simple de l'état, de la température, etc.

ETO2 est adéquat pour contrôler des câbles chauffants électriques dans 1 ou 2 zones. Il possède également un contrôle de sortie deux-étapes pour une exploitation économique.

En mode hydronique, la sonde d'alimentation maintient la température requise pour l'eau d'alimentation pendant que le système est actif. Quand de la chaleur est demandée, la pompe de circulation et la pompe principale sont activées et le robinet est ouvert à 20 % pendant 1 minute pour laisser le système se stabiliser.

Quand il n'est pas requis de fondre la glace ou la neige, le système active la pompe de circulation pendant 1 minute à toutes les 15 minutes pour vérifier que la température de l'eau de retour est tombée sous la « température de marche à vide » requise. Si c'est le cas, le système s'active pleinement pour accroître la température de l'eau de retour à la valeur requise.

DÉMARRAGE

SELECT SCALE:
CELSIUS
FAHRENHEIT

Quand ETO2 est mis sous tension pour la première fois, il faut choisir entre Celsius ou Fahrenheit. Tournez le bouton de l'encodeur jusqu'à ce que l'échelle de température requise soit en surbrillance. Puis appuyez sur le bouton de l'encodeur pour confirmer le choix.

SENSOR 1:
ETOG
ETOR

SENSOR 1 est affiché à l'écran afin que se fasse le choix du type de sonde raccordée à l'entrée 1 :
 ETOG : Sonde de sol
 ETOR : Sonde de gouttière et d'extérieur
 Puis appuyez sur le bouton de l'encodeur pour confirmer le choix.

SENSOR 2:
OFF
ETOG
ETOR

SENSOR 2 est alors affiché à l'écran afin que se fasse le choix du type de sonde raccordée à l'entrée 2. S'il n'y a pas de sonde de raccordée à l'entrée 2, « OFF » [arrêt] doit être sélectionné.

OUTDOOR SENSOR:
OFF
ETF

Choisissez ETF si une sonde extérieure ETF est raccordée aux bornes 31-32. S'il n'y a pas de sonde ETF de raccordée, sélectionnez « OFF » [arrêt]. Puis appuyez sur le bouton de l'encodeur pour confirmer le choix.

APPLICATION:
ELECTRIC 1-ZONE
ELECTRIC 2-ZONE
ELECTRIC 2-STAGE
HYDRONIC

Sélectionnez le type d'application en tournant le bouton de l'encodeur puis en appuyant pour confirmer.
 ÉLECTRIQUE 1-ZONE : Contrôle de chauffage électrique pour 1 zone. Note : également utilisé pour hydronique simple (fig. 12).
 ÉLECTRIC 2-ZONE : Contrôle de chauffage électrique pour 2 zones. Note : également utilisé pour hydronique simple (fig. 12).
 ÉLECTRIQUE 2-ÉTAPES : Contrôle avancé de chauffage électrique 2 étapes (Y/Δ) pour 1 zone (fig. 10).
 HYDRONIQUE : Contrôle du chauffage hydronique pour 1 zone avec contrôle d'eau d'alimentation (fig. 11).

Sélectionnez l'option appropriée puis appuyez sur OK. Le système est maintenant réglé et commencera à fonctionner de façon complètement automatique selon le programme standard préconfiguré (voir RÉGLAGES D'USINE). Des réglages alternatifs peuvent aussi être faits, voir RÉGLAGES.

ZONE 1 HEAT	OFF
ZONE 2 HEAT	OFF
AFTERRUN 1	0.00
AFTERRUN 2	0.00
STANDBY	OFF

L'état et les données post-chauffage pour les zones 1 et 2 sont maintenant affichés.

FONCTIONNEMENT

ETO2 est muni d'un bouton pour l'encodeur qui est facile d'utilisation (tourner et appuyer) ainsi que d'un afficheur qui décrit la situation actuelle. L'afficheur est rétroéclairé et il s'allume en appuyant sur le bouton de l'encodeur (OK). L'afficheur s'éteint automatiquement après 30 secondes.

Appuyez sur le bouton de l'encodeur et le menu principal s'affichera à l'écran. Tournez le bouton pour vous déplacer parmi les options. Toutes les options ne sont pas affichées en même temps sur l'écran, mais vous pouvez y accéder en tournant le bouton de l'encodeur. Appuyez sur OK pour sélectionner l'option en surbrillance.

MENU PRINCIPAL

ZONE 1	OFF
ZONE 2	OFF
SENSOR 1	##.#°C
SENSOR 2	##.#°C
MOIST 1	NO
MOIST 2	NO
OUT. TEMP	##.#°C
SUPPLY W.	##.#°C
RETURN W.	##.#°C
ALARM	NO
SHOW INFO	
SETUP	
RESTART	
EXIT	

TEXTES AFFICHÉS

ZONE 1 **OFF** Chauffage de la zone 1 actif (ON) ou inactif (OFF)

ZONE 2 **OFF** Chauffage de la zone 2 actif (ON) ou inactif (OFF)

SENSOR 1 **##.#°C** Sonde 1 (sonde chauffée) température du centre. S'applique uniquement quand une sonde ETOG est raccordée.

REMARQUE : La température indiquée ne correspond pas à la température ambiante pendant la détection d'humidité !

SENSOR 2	##.#°C	Sonde 2 (sonde chauffée) température du centre. S'applique uniquement quand une sonde ETOG est raccordée. REMARQUE : La température indiquée ne correspond pas à la température ambiante pendant la détection d'humidité !
MOIST 1	NO	Sonde 1, mesure d'humidité. OUI / NON / blanc. Un blanc sera montré si la température est au-dessus de « Set Temp » [réglage de température] ou si le système est en mode post-chauffage.
MOIST 2	NO	Sonde 2, mesure d'humidité. OUI / NON / blanc. Un blanc sera montré si la température est au-dessus de « Set Temp » [réglage de température] ou si le système est en mode post-chauffage.
OUT TEMP	##.#°C	Température extérieure ambiante. S'applique uniquement quand une sonde ETF est raccordée.
SUPPLY W.	##.#°C	Température d'eau d'alimentation, application hydronique uniquement.
RETURN W.	##.#°C	Température d'eau de retour, application hydronique uniquement.
ALARM	NO	Message de faute, le type de faute sera affiché. La DEL rouge sur le devant de l'appareil clignotera.

INFORMATIONS D'APPLICATION

SHOW INFO

APP:	E. 1-ZONE	Type d'application : chauffage électrique ou hydronique
SW VERSION	1.00	Version de logiciel
SENSOR 1	ETOG	Type de sonde, sonde 1
SENSOR 2	OFF	Type de sonde, sonde 2
SENSOR ETF	OFF	Si une sonde ETF est raccordée
EXIT		Retour au menu principal

RÉGLAGES

Veuillez noter qu'un paramétrage incorrect de la sonde peut conduire à une pauvre fonte de la glace et de la neige et même à un défaut de fonte.

Appuyez sur OK et un sous-menu s'affichera à l'écran.

Sélectionnez le paramètre à régler et appuyez sur OK.

SETUP**FORCE HEAT OFF**

Démarrage manuel ou chauffage forcé. Appuyez sur OK et sélectionnez ON pour démarrer le chauffage forcé.
Le contrôleur ETO2 fournira la chaleur pour la période de post-chauffage qui est préprogrammé, voir POST-CHAUFFAGE 1 et 2.

SELECT SCALE C

Ici vous pouvez choisir l'affichage de la température en Celsius (C) ou Fahrenheit (F). Sélectionnez l'échelle appropriée puis appuyez sur OK. Appuyez sur OK pour retourner au menu « SETUP » [réglage].

SET TEMP 1 3.0C

Réglez la température pour la zone 1 : Ici, on peut régler la température à laquelle le système de fonte de glace et de neige sera activé. Le réglage de la température peut s'effectuer dans une plage de +50 / -20 °C (122 / -4 °F). Sélectionnez la température appropriée puis appuyez sur OK.

SET TEMP 2 3.0C

Réglez la température pour Zone 2 : Ici, on peut régler la température à laquelle le système de fonte de glace et de neige sera activé. Le réglage de la température peut s'effectuer dans une plage de +50 / -20 °C (122 / -4 °F). Sélectionnez la température appropriée puis appuyez sur OK pour confirmer.

OFF TEMP 1 OFF

La température de fonctionnement la plus basse pour la zone 1 peut être réglée ici. Sous cette température, le système passera en mode attente. Le réglage peut être aussi bas que -20 °C (-3.9 °F) ou « OFF » [arrêt] peut être sélectionné. « OFF » [arrêt] = pas de limite. Pour changer pour une température minimum d'arrêt, appuyez sur OK et tourner le bouton de l'encodeur à la valeur souhaitée, confirmez avec OK.

OFF TEMP 2 OFF

La température de fonctionnement la plus basse pour la zone 2 peut être réglée ici. Le réglage peut être aussi bas que -20 °C (-3.9 °F) ou « OFF » [arrêt] peut être sélectionné. OFF (arrêt) = pas de limite. Pour changer pour une température minimum d'arrêt, appuyez sur OK et tourner le bouton de l'encodeur à la valeur souhaitée, confirmez avec OK.

AFTERRUN 1 2:00

Durée de post-chauffage zone 1 : Une durée de post-chauffage entre 0 et 18 heures peut être réglée ici. Le système continuera à produire de la chaleur pendant la période de temps définie après que le signal d'humidité/ température aura été éliminé par un cycle de chauffage. Utilisez le bouton de l'encodeur pour régler le temps de post-chauffage requis puis appuyez sur OK.

AFTERRUN 2 2:00

Durée de post-chauffage zone 2 : Une durée de post-chauffage entre 0 et 18 heures peut être réglée ici. Utilisez le bouton de l'encodeur pour régler le temps de post-chauffage requis puis appuyez sur OK.

OFFSET T1 0.0C

La température de zone 1 peut être calibrée ici. Avec la sonde ETOG-55, la température affichée sur l'écran de l'ETO2 est toujours celle du centre de la sonde. Pour la calibration, veuillez vous référer à *CALIBRATION D'OFFSET*.

OFFSET T2 0.0C

La température de zone 2 peut être calibrée ici. Avec la sonde ETOG-55, la température affichée sur l'écran de l'ETO2 est toujours celle du centre de la sonde. Pour la calibration, veuillez vous référer à *CALIBRATION D'OFFSET*.

OFFSET OUT. 0.0C

La température extérieure peut être calibrée ici. La température enregistrée par la sonde d'extérieur ETF peut être ajustée pour que la température précise soit affichée sur l'ETO2. Mesurez la température à côté de la sonde en utilisant un thermomètre. Ajustez l'offset nécessaire en utilisant le bouton de l'encodeur. Appuyez sur OK.

MIN WATER 5.0C

La température minimum d'eau de retour peut être réglée ici. Réglez la température minimum requise puis appuyez sur OK. Cette option du menu n'est disponible que lorsqu'un chauffage hydronique est utilisé.

MAX WATER 55.0C

La température maximum d'eau d'alimentation peut être réglée ici. Réglez la température minimum requise puis appuyez sur OK. Cette option du menu n'est disponible que lorsqu'un chauffage hydronique est utilisé.

SENSOR HEAT AUTO

En mode auto, le chauffage de la sonde est coupé pendant les périodes d'activité de fonte de neige. Sous des conditions spéciales ou lors de températures extrêmement froides, la sonde peut être chauffée continuellement. Sélectionnez « ON » [démarré] et appuyez sur OK.

MOIST CTRL ON

Ici, le contrôle de l'humidité peut être annulé. Si c'est le cas, la fonte de la glace et la neige ne sera contrôlée que par la température réglée, voir « SET TEMP » [réglage de température]. Sélectionnez « OFF » [arrêt] pour couper le contrôle d'humidité et appuyez sur OK.



Notez que la consommation d'énergie/les coûts augmenteront si le contrôle de l'humidité est coupé.

SENSITIVITY NORM

La sensibilité de la sonde peut être réglée à 5 niveaux : MIN : par ex. pour routes salées - BAS : par ex. pour neige sale - « NORM » [normal] : par ex. pour des conditions mixtes de neige - ÉLEVÉ : par ex. pour neige blanche - MAX : par ex. pour une neige très pure ou givre. Changez la sensibilité en appuyant sur OK et en tournant le bouton de l'encodeur à la valeur souhaitée puis confirmez avec OK.

LANGUAGE ENGLISH

Informations sur la langue.

FACTORY RESET

Tous les réglages d'usine de l'ETO2 peuvent être restaurés ici. En sélectionnant cette option, tous les réglages personnalisés sont supprimés.

REINSTALL

REINSTALL
PASSWORD XXXX

En cas de faute de réglage dans le menu « STARTUP » [démarrage] ou si de nouveaux appareils sont connectés. Le réglage primaire doit être changé dans le menu « STARTUP » [démarrage]. Sélectionnez « PASSWORD » [mot de passe] et tournez le bouton de l'encodeur pour afficher le code d'usine (1202). Le contrôleur retournera alors au menu « STARTUP » [démarrage], voir « STARTUP » [démarrage].

EXIT

Sélectionnez cette option et appuyez sur OK pour retourner au menu principal.

REDÉMARRAGE

Après un changement des réglages ou toutes les fois qu'un nouveau démarrage de procédé est requis, l'ETO2 peut être redémarré dans ce menu.

RESTART

Redémarrage de l'opération en maintenant vos réglages actuels. L'ETO2 passe à l'affichage de l'état initial.

CALIBRATION D'OFFSET

S'il est nécessaire de calibrer la température mesurée par la sonde ETOG, veuillez suivre les étapes énoncées plus bas :

1. Débranchez la sonde des bornes 11 et 12 (chauffage sonde) de l'ETO2.
2. Attendez quelques heures pour que la sonde soit à la même température que le sol.
3. Mesurez la température réelle sol/sonde et comparez avec la température affichée par l'ETO2.
4. Programmez l'offset pour la sonde concernée afin qu'il corresponde à la différence entre les deux températures (affichée vs réelle).
Ajustez l'offset nécessaire en utilisant le bouton de l'encodeur. Appuyez sur OK.
5. Rebranchez la sonde aux bornes 11 et 12 de l'ETO2.

REMARQUE : Avec la sonde ETOG, la température affichée sur l'écran de l'ETO2 est toujours celle du centre de la sonde.

RÉGLAGES D'USINE

RÉGLAGES	RÉGLAGES D'USINE	RÉGLAGES PERSONNALISÉS
Application	Électrique	
Sonde 1	ETOG	
Sonde 2	« OFF » [arrêt]	
Choix d'échelle	Celsius	
Durée de post-chauffage zone 1	2 heures	
Durée de post-chauffage zone 2	2 heures	
Temp. offset Zone 1	0,0 °C / 0,0 °F	
Temp. offset Zone 2	0,0 °C / 0,0 °F	
Temp. offset ETF	0,0 °C / 0,0 °F	
Point de consigne de température zones 1+2	3,0 °C / 37,4 °F	
Température d'arrêt zones 1+2	OFF (arrêt)	
Chauffage de sonde zones 1+2	AUTO	
Contrôle d'humidité zones 1+2	« ON » [marche]	
Sensibilité zones 1+2	« NORM » [normal]	
Température min. de l'eau	5 °C / 41 °F	
Température max. de l'eau	55 °C / 131 °F	

RECHERCHE DE PANNES

Si une faute apparaît dans le système de fonte de glace et de neige, il est recommandé de vérifier le réglage de l'ETO2. Accédez au menu en appuyant sur le bouton de l'encodeur et sélectionnez « SHOW INFO » pour afficher les réglages de l'application. S'il y a des erreurs dans le réglage, activer « REINSTALL » [réinstaller] en utilisant le code d'usine 1202.

Vérifiez que toutes les connexions sont faites correctement et que tous les câbles sont attachés sur les supports.

Pour des réponses aux questions fréquentes (FAQ) visitez notre site : [www.ojelectronics.com / support](http://www.ojelectronics.com/support) / FAQ – Snowmelting.

La glace/neige ne fond pas

- **L'affichage montre t'il « HEAT ON » [chaleur activée] dans zone 1/2 ?**

OUI :

- o Attendez pendant 1-2 heures.
- o Vérifiez sous la neige, si la neige commence à fondre, le système fonctionne bien.
- o Vérifiez si les câbles chauffants sont défectueux et si des connexions sont mauvaises ou inadéquates.
- o Il peut faire trop froid pour que la neige fonde (puissance/m2 insuffisante) c.-à-d. le système de chauffage hydronique est sous dimensionné.

NON :

- o La température est plus élevée que « SET TEMP » [réglage de température]. Réglez « SET TEMP » [réglage de température] à une valeur plus élevée.
- o La neige autour de la sonde est fondue ou le tassement de la neige a exposé la sonde. Augmentez le temps « AFTERRUN » [POST-CHAUFFAGE] ou activez « FORCE HEAT » [CHAUFFAGE FORCÉ].
- o Un effet igloo s'est produit autour de la sonde. La sonde de sol a fait fondre une cavité isolée sous la neige. Activez « FORCE HEAT » [CHAUFFAGE FORCÉ] ou réglez « MOIST CTRL » [CONTR HUM] à « OFF » [ARRÊT].
- o La température est plus basse que le réglage d'« OFF TEMP » [température d'arrêt]. Selon la sortie de chaleur, le système peut avoir une limite de température plus basse à laquelle la neige peut être fondue. Essayez de faire fondre la neige avec « FORCE HEAT » [chauffage forcé] avant de changer « OFF TEMP » [température d'arrêt].

Le chauffage ne s'arrête pas après la fonte de la glace/neige

- o Le temps d'« AFTERRUN » [post-chauffage] est trop long - réduisez le temps d'« AFTERRUN » [post-chauffage] et activez « RESTART » [redémarrer] dans le menu.
- o La détection d'humidité par la sonde ETOG/ETOR est arrêtée – activez « MOIST CTRL » [contrôle d'humidité] à ON dans le menu.

Si le bouton d'alarme rouge clignote, un des défauts suivants est survenu. Le message pertinent sera affiché dans le menu « ALARM » [alarme].

- “RETURN TEMP LOW”** - La température de l'eau dans la conduite de retour est trop basse.
- “SUPPLY TEMP HIGH”** - La température de l'eau dans la conduite d'alimentation est trop haute.
- “RETURN SENSOR”** - Sonde d'eau de retour défectueuse.
- “SUPPLY SENSOR”** - Sonde d'alimentation défectueuse.
- “TEMP SENSOR 1”** - Sonde de température 1 (sol ou toit) est défectueuse.
- “TEMP SENSOR 2”** - Sonde de température 2 (sol ou toit) est défectueuse.
- “OUTDOOR SENSOR”** - Sonde extérieure défectueuse.
- “SENSOR HEATER”** - L'élément chauffant de la sonde de sol ou de toit est court-circuité.
- “FROST PROTECT”** - Protection contre le givre activée à cause de basse température du retour.
(systèmes hydroniques uniquement)



Italiano

Manuale d'uso



INDICE

Glossario	Pagina	92
Introduzione	Pagina	92
Avvio iniziale	Pagina	93
Funzionamento	Pagina	94
Menu principale	Pagina	94
Scritte sul display	Pagina	94
Dati applicazione	Pagina	95
Impostazioni	Pagina	95
Riavvio	Pagina	98
Calibrazione dell'offset (compensazione)	Pagina	98
Impostazioni di fabbrica	Pagina	98
Localizzazione guasti	Pagina	99

GLOSSARIO

Zona 1, 2:	Zone di riscaldamento indipendenti in cui possono essere liquefatti neve e ghiaccio.
Pulsante d'impostazione:	Questo pulsante può essere ruotato o premuto per configurare agevolmente le impostazioni.
ETOG-55:	Sensore da terreno per la rilevazione di temperatura e umidità.
ETOR-55:	Sensore a grondaia per la rilevazione dell'umidità.
ETOG-56/ETOK-1:	Sensore incorporato nel terreno per la rilevazione di umidità e temperatura.
ETF-744/99:	Sensore da esterni per la rilevazione della temperatura.
Y/Δ:	Controllo avanzato a 2 stadi per sistemi di riscaldamento elettrico.
Postriscaldamento:	Il riscaldamento fornito dal sistema per un intervallo di tempo stabilito dopo che il segnale di umidità/temperatura è stato eliminato da un ciclo di riscaldamento.

INTRODUZIONE

Il modello ETO2 è un controller elettronico che consente una liquefazione economica e completamente automatica di ghiaccio e neve su superfici esterne e nelle grondaie. La formazione del ghiaccio è dovuta a una combinazione di basse temperature e di umidità. ETO2 rileva sia la temperatura che l'umidità, e il sistema di riscaldamento verrà attivato soltanto se la possibilità di neve o di ghiaccio viene indicata da entrambi i parametri.

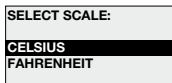
Un pulsante d'impostazione di facile uso e un display grafico retroilluminato assicurano una configurazione facile e rapida e una chiara indicazione di temperatura, stato, ecc.

ETO2 è adatto al controllo di cavi riscaldanti elettrici in 1 o 2 zone. Esso comprende inoltre un avanzato controllo di uscita a 2 stadi per un funzionamento economico.

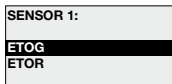
In modalità idronica il sensore di mandata mantiene l'acqua di mandata alla temperatura desiderata mentre il sistema è attivo. Quando è richiesto il riscaldamento, sia la pompa di circolazione che quella principale vengono attivate e la valvola aprirà al 20 % per 1 minuto per dar modo al sistema di stabilizzarsi.

Quando non vi è necessità di liquefazione di ghiaccio o neve, il sistema attiva la pompa di circolazione per 1 minuto ogni 15 minuti per controllare se la temperatura dell'acqua di ritorno è scesa al di sotto della "temperatura di attesa" richiesta. In caso affermativo, il sistema viene attivato completamente per aumentare la temperatura dell'acqua di ritorno fino al valore richiesto.

AVVIO INIZIALE



Quando viene acceso per la prima volta il controller ETO2, selezionare la visualizzazione in gradi Celsius (centigradi) oppure Fahrenheit. Ruotare il pulsante d'impostazione fino a mettere in risalto la scala di temperature desiderata. Confermare quindi la selezione premendo il pulsante d'impostazione.

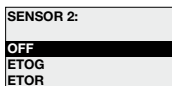


Il display indica SENSOR 1 per consentire la selezione del tipo di sensore collegato all'ingresso 1:

ETOG : Sensore da terreno

ETOR : Sensore a grondaia + sensore per esterni

Confermare quindi la selezione premendo il pulsante d'impostazione.

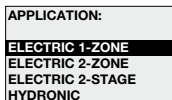


Il display indicherà quindi SENSOR 2 per consentire la selezione del tipo di sensore collegato all'ingresso 2. Se non vi sono sensori collegati all'ingresso 2, selezionare OFF.



Selezionare ETF se è collegato un sensore per esterni ETF ai terminali 31-32.

Se non sono collegati sensori ETF, selezionare OFF. Confermare quindi la selezione premendo il pulsante d'impostazione.



Selezionare il tipo di applicazione ruotando il pulsante d'impostazione e premere OK.

ELECTRIC 1-ZONE: controllo del riscaldamento elettrico a 1 zona. Nota bene: viene utilizzato anche per il controllo idronico semplice (fig. 12).

ELECTRIC 2-ZONE: controllo del riscaldamento elettrico a 2 zone. Nota bene: viene utilizzato anche per il controllo idronico semplice (fig. 12).

ELECTRIC 2-STAGE : controllo avanzato del riscaldamento elettrico a 2 stadi (Y/Δ) a 1 zona (fig. 10).

HYDRONIC (idronico) : controllo del riscaldamento con controllo dell'acqua di mandata a 1 zona (fig. 11).

Selezionare l'opzione adatta e premere OK. A questo punto il sistema è configurato ed inizierà a funzionare in modo completamente automatico in base ai programmi standard preconfigurati, vedi **FACTORY SETTINGS** (impostazioni di fabbrica). È anche possibile eseguire delle impostazioni alternative, vedi **SETTINGS**.

ZONE 1 HEAT	OFF
ZONE 2 HEAT	OFF
AFTERRUN 1	0.00
AFTERRUN 2	0.00
STANDBY	OFF

I dati relativi allo stato e al postriscaldamento delle zone 1 e 2 vengono ora visualizzati sul display.

FUNZIONAMENTO

Il controller ETO2 è munito di un pulsante d'impostazione di facile uso (può essere ruotato e premuto) e di un display che visualizza la situazione del momento. Il display è retroilluminabile premendo il pulsante d'impostazione (OK). L'illuminazione si spegnerà automaticamente dopo 30 secondi.

Premere il pulsante d'impostazione per fare apparire il menu principale sul display.

Ruotare il pulsante per muoversi tra le varie opzioni. Le opzioni non appaiono tutte subito sul display, ma vi si potrà accedere ruotando il pulsante d'impostazione.

Premere OK per selezionare un'opzione messa in risalto.

MENU PRINCIPALE

ZONE 1	OFF
ZONE 2	OFF
SENSOR 1	##.#°C
SENSOR 2	##.#°C
MOIST 1	NO
MOIST 2	NO
OUT. TEMP	##.#°C
SUPPLY W.	##.#°C
RETURN W.	##.#°C
ALARM	NO
SHOW INFO	
SETUP	
RESTART	
EXIT	

SCRITTE SUL DISPLAY

ZONE 1 **OFF** Zona di riscaldamento 1 attiva (ON) o inattiva (OFF)

ZONE 2 **OFF** Zona di riscaldamento 2 attiva (ON) o inattiva (OFF)

SENSOR 1 **##.#°C** Temperatura del nucleo del sensore 1 (sensore riscaldato); vale solo quando è

collegato il sensore ETOG.

NOTA BENE: La temperatura visualizzata non è identica alla temperatura ambiente durante la rilevazione dell'umidità!

SENSOR 2 **##.##°C** Temperatura del nucleo del sensore 2 (sensore riscaldato); vale solo quando è collegato il sensore ETOG.

NOTA BENE: La temperatura visualizzata non è identica alla temperatura ambiente durante la rilevazione dell'umidità!

MOIST 1 **NO** Stato dell'umidità del sensore 1. YES (Sì) / NO / Nessuno. Sul display non verrà visualizzata nessuna indicazione se la temperatura è maggiore dell'impostazione SET TEMP o se il sistema è in modalità postriscaldamento.

MOIST 2 **NO** Sensore 2, misura di umidità. YES (Sì) / NO / Nessuno. Sul display non verrà visualizzata nessuna indicazione se la temperatura è maggiore dell'impostazione SET TEMP o se il sistema è in modalità postriscaldamento.

OUT TEMP **##.##°C** Temperatura ambiente esterna; vale solo quando è collegato il sensore ETF.

SUPPLY W. **##.##°C** Temperatura dell'acqua di mandata (solo per applicazioni idroniche).

RETURN W. **##.##°C** Temperatura dell'acqua di ritorno (solo per applicazioni idroniche).

ALARM **NO** Messaggio d'errore: verrà indicato il tipo di errore. Il LED rosso sulla parte anteriore dell'unità lampeggia.

DATI APPLICAZIONE

SHOW INFO

APP: **E. 1-ZONE** Tipo di applicazione: riscaldamento elettrico o idronico

SW VERSION **1.00** Versione software

SENSOR 1 **ETOG** Tipo di sensore, sensore 1

SENSOR 2 **OFF** Tipo di sensore, sensore 2

SENSOR ETF **OFF** Sensore ETF collegato o no

EXIT Torna al menu principale

IMPOSTAZIONI

Si tenga presente che un'impostazione non corretta del sensore può provocare una cattiva o inesistente liquefazione del ghiaccio e della neve. Premere OK: sul display apparirà un menu secondario. Selezionare il parametro da impostare e premere OK.

SETUP

- FORCE HEAT OFF** Avvio manuale del riscaldamento forzato. Premere OK e selezionare ON per dare inizio al riscaldamento forzato. Il controller ETO2 fornirà riscaldamento durante l'intervallo di postriscaldamento programmato, vedi AFTERRUN 1 e 2.
- SELECT SCALE C** Qui è possibile scegliere la visualizzazione della temperatura in gradi centigradi (C) oppure Fahrenheit (F). Selezionare la scala desiderata e premere OK. Premere OK per tornare al menu SETUP.
- SET TEMP 1 3.0C** Impostazione temperatura zona 1: qui può essere impostata la temperatura alla quale verrà attivato il sistema per la liquefazione del ghiaccio e della neve. La temperatura può essere impostata nell'intervallo +50/-20 °C (122/-4 °F). Impostare la temperatura desiderata e premere OK.
- SET TEMP 2 3.0C** Impostazione temperatura zona 2: qui può essere impostata la temperatura alla quale verrà attivato il sistema per la liquefazione del ghiaccio e della neve. La temperatura può essere impostata nell'intervallo +50/-20 °C (122/-4 °F). Impostare la temperatura desiderata e premere il pulsante OK.
- OFF TEMP 1 OFF** Qui può essere impostata la temperatura minima di funzionamento della zona 1. Al di sotto di questa temperatura il sistema entrerà in modalità standby. L'impostazione può scendere fino a -20 °C (-3,9 °F), oppure si può selezionare OFF. OFF = nessun limite. Per modificare la temperatura di arresto minima premere OK, ruotare la manopola d'impostazione sul valore desiderato e confermare con OK.
- OFF TEMP 2 OFF** Qui può essere impostata la temperatura minima di funzionamento della zona 2. L'impostazione può scendere fino a -20 °C (-3,9 °F), oppure si può selezionare OFF. OFF = nessun limite. Per modificare in una temperatura d'arresto minima, premere OK e ruotare la manopola del codificatore fino al valore desiderato. Confermare quindi con OK.
- AFTERRUN 1 2:00** Tempo di postriscaldamento zona 1: qui può essere impostata la durata del postriscaldamento da 0 a 18 ore. Dopo che il segnale di umidità/temperatura è stato eliminato da un ciclo di riscaldamento, il sistema continuerà a fornire calore per il tempo specificato. Utilizzare il pulsante d'impostazione per scegliere il tempo di postriscaldamento desiderato e premere OK.
- AFTERRUN 2 2:00** Tempo di postriscaldamento zona 2: qui può essere impostata la durata del postriscaldamento da 0 a 18 ore. Utilizzare il pulsante d'impostazione per scegliere il tempo di postriscaldamento desiderato e premere quindi il pulsante per confermare.
- OFFSET T1 0.0C** Qui è possibile calibrare la temperatura della zona 1. Con il sensore ETOG-55, la temperatura visualizzata sul display di ETO2 è sempre la temperatura del nucleo del sensore. Per la calibrazione, vedi **CALIBRAZIONE DELL'OFFSET (COMPENSAZIONE)**.

OFFSET T2 0.0C

Qui è possibile calibrare la temperatura della zona 2. Con il sensore ETOG-55, la temperatura visualizzata sul display di ETO2 è sempre la temperatura del nucleo del sensore. Per la calibrazione, vedi **CALIBRAZIONE DELL'OFFSET (COMPENSAZIONE)**.

OFFSET OUT. 0.0C

Qui può essere calibrata la temperatura esterna. È possibile regolare la temperatura registrata dal sensore per esterni ETF in modo da visualizzare la corretta temperatura sul controller ETO2. Misurare la temperatura nei pressi del sensore mediante un termometro. Selezionare il valore di compensazione necessario mediante il pulsante d'impostazione. Premere OK.

MIN WATER 5.0C

Qui può essere impostata la temperatura minima del ritorno dell'acqua. Selezionare la temperatura minima desiderata e premere OK. Questa opzione è disponibile nel menu solo quando si utilizza il riscaldamento idronico.

MAX WATER 55.0C

Qui può essere impostata la temperatura massima dell'acqua di mandata. Selezionare la temperatura massima desiderata e premere OK. Questa opzione è disponibile nel menu solo quando si utilizza il riscaldamento idronico.

SENSOR HEAT AUTO

Nella modalità auto il riscaldamento del sensore viene disattivato nei periodi in cui è attiva la liquefazione della neve. In casi particolari o in condizioni di tempo estremamente freddo è possibile riscaldare il sensore continuamente. Selezionare ON e premere OK.

MOIST CTRL ON

Qui è possibile disinserire il controllo dell'umidità. Così facendo, il termostato effettuerà il controllo in base alla sola impostazione di temperatura, vedi SET TEMP. Per disinserire il controllo dell'umidità, selezionare OFF e premere OK.



Si tenga presente che l'assenza del controllo di umidità comporterà un elevato consumo di energia e di conseguenza costi elevati.

SENSITIVITY NORM

La sensibilità del sensore può essere regolata in 5 livelli: MIN: ad esempio per strade con sale - LOW (bassa): ad esempio con neve sporca - NORM: ad esempio in condizioni di neve mista - HIGH (alta): ad esempio per neve bianca - MAX: ad esempio in caso di neve molto pura o brina. Per modificare la sensibilità premere OK, ruotare il pulsante d'impostazione fino all'impostazione desiderata e confermare con OK.

LINGUA ITALIANO

Informazioni sulla lingua.

FACTORY RESET

Qui possono essere ripristinate tutte le impostazioni di fabbrica del controller ETO2. Scegliendo questa opzione, tutte le impostazioni dell'utente verranno cancellate.

REINSTALL

REINSTALL
PASSWORD **XXXX**

In caso di errori nel menu STARTUP (avvio iniziale), oppure quando viene collegato del nuovo hardware, è necessario riconfigurare l'impostazione principale nel menu

STARTUP. Selezionare PASSWORD e ruotare il pulsante d'impostazione sul codice di fabbrica (1202). In tal modo il controller tornerà al menu di avvio iniziale, vedi STARTUP.

EXIT Selezionare questa opzione e premere OK per tornare al menu principale.

RIAVVIO

Quando si modificano le impostazioni o si richiede l'avvio di un nuovo processo, il controller ETO2 può essere riavviato in questo menu.

RESTART Rimessa in funzione con mantenimento di tutte le impostazioni attuali. Il controller ETO2 si porterà sulla schermata di stato iniziale.

CALIBRAZIONE DELL'OFFSET (COMPENSAZIONE)

Nel caso fosse necessario calibrare la temperatura misurata dal sensore ETOG, la procedura è la seguente:

1. Scollegare il sensore dai terminali 11 e 12 (riscaldamento sensore) del controller ETO2.
2. Attendere qualche ora per dar modo al sensore di portarsi alla stessa temperatura del terreno.
3. Misurare l'effettiva temperatura del terreno/sensore e confrontarla con la temperatura visualizzata sul display di ETO2.
4. Programmare l'offset (compensazione) del sensore in questione in modo da compensare la differenza tra la temperatura visualizzata e quella effettiva.
Selezionare il valore di compensazione necessario mediante il pulsante del codificatore. Premere OK.
5. Ricollegare il sensore ai terminali 11 e 12 di ETO2.

NOTA BENE: Con il sensore ETOG, la temperatura visualizzata sul display di ETO2 è sempre la temperatura del nucleo del sensore.

IMPOSTAZIONI DI FABBRICA

IMPOSTAZIONE	IMPOSTAZIONI DI FABBRICA	IMPOSTAZIONI DELL'UTENTE
Applicazione	Elettrica	
Sensore 1	ETOG	
Sensore 2	OFF (disinserita)	
Selezione scala	Celsius (centigradi)	
Tempo di postriscaldamento zona 1	2,00 ore	
Tempo di postriscaldamento zona 2	2,00 ore	
Temperatura compens. zona 1	0,0 °C / 0,0 °F	
Temperatura compens. zona 2	0,0 °C / 0,0 °F	
Temperatura compens. ETF	0,0 °C / 0,0 °F	

Impostazione temperatura zona 1+2	3,0 °C / 37,4 °F
Temperatura OFF zone 1+2	OFF (disinserita)
Riscaldamento sensore zone 1+2	AUTO
Controllo umidità zone 1+2	ON (inserita)
Sensibilità zone 1+2	NORM
Temperatura min. acqua	5 °C / 41 °F
Temperatura max. acqua	55 °C / 131 °F

LOCALIZZAZIONE GUASTI

Se si verificano malfunzionamenti nel sistema di liquefazione del ghiaccio e della neve è consigliabile verificare la configurazione di ETO2. Attivare il menu premendo il pulsante d'impostazione e premere SHOW INFO (visualizza info) per visualizzare le impostazioni dell'applicazione. Se ci sono errori nella configurazione, attivare REINSTALL utilizzando il codice di fabbrica 1202.

Verificare che tutte le connessioni siano state eseguite correttamente e che i cavi siano saldamente fissati nei morsetti.

Per le risposte alle FAQ (domande più frequenti) si rimanda al nostro sito internet: [www.ojelectronics.com / support / FAQ – Snowmelting](http://www.ojelectronics.com/support/FAQ-Snowmelting).

Il ghiaccio/la neve non si liquefa

- **Sul display si legge HEAT ON (riscaldamento inserito) nella zona 1 / 2?**

SI:

- o Attendere 1-2 ore.
- o Controllare sotto alla neve. Se la neve sta cominciando a liquefarsi, il sistema è OK.
- o Controllare che non vi siano difetti nei cavi o connessioni insicure o errate.
- o Potrebbe anche esserci troppo freddo perché la neve riesca a liquefarsi (potenza insufficiente/m2), vale a dire che i cavi riscaldanti o il sistema di riscaldamento idronico sono sottodimensionati.

NO:

- o La temperatura è maggiore di SET TEMP (impostazione temperatura). Impostare SET TEMP su un valore più alto.
- o La neve attorno al sensore da terreno si è sciolta, oppure il sensore è stato esposto a neve vagante.
Aumentare il tempo di AFTERRUN (postriscaldamento), oppure attivare FORCE HEAT (riscaldamento forzato).
- o Si è verificato un "effetto igloo" attorno al sensore: il sensore da terreno ha liquefatto una cavità isolata sotto alla neve.
Attivare FORCE HEAT (riscaldamento forzato), oppure impostare MOIST CTRL (controllo umidità) su OFF.
- o La temperatura è inferiore all'impostazione OFF TEMP.
A seconda del calore fornito, il sistema può avere un limite di temperatura di liquefazione della neve inferiore.
Provare a liquefare la neve con FORCE HEAT (riscaldamento forzato) prima di modificare OFF TEMP (temperatura di disinserimento).

Il riscaldamento non si disinserisce dopo la liquefazione del ghiaccio/della neve

- o Il tempo AFTERRUN (postriscaldamento) è eccessivo: ridurre AFTERRUN ed attivare

RESTART (riavvio) nel menu.

- o Il rilevamento dell'umidità nel sensore ETOG/ETOR è disattivato. Impostare MOIST CTRL (controllo umidità) su ON nel menu.

Se il pulsante rosso ALARM lampeggia, si è verificato uno degli errori sotto riportati. Il relativo messaggio verrà visualizzato nel menu ALARM.

- “RETURN TEMP LOW”** - La temperatura nel tubo di ritorno dell'acqua è troppo bassa.
- “SUPPLY TEMP HIGH”** - La temperatura del tubo di mandata dell'acqua è troppo alta.
- “RETURN SENSOR”** - Sensore del tubo di ritorno difettoso.
- “SUPPLY SENSOR”** - Sensore del tubo di mandata difettoso.
- “TEMP SENSOR 1”** - Sensore di temperatura 1 (terreno o tetto) difettoso.
- “TEMP SENSOR 2”** - Sensore di temperatura 2 (terreno o tetto) difettoso.
- “OUTDOOR SENSOR”** - Sensore per esterni difettoso.
- “SENSOR HEATER”** - Elemento riscaldante nel sensore da terreno o da tetto in cortocircuito.
- “FROST PROTECT”** - Protezione antigelo attiva a causa di temperatura di ritorno bassa. (solo nei sistemi di riscaldamento idronici)



INHOUDSOPGAVE

Woordenlijst	Pagina	101
Inleiding	Pagina	101
Opstarten	Pagina	102
Bediening	Pagina	103
Hoofdmenu	Pagina	103
Teksten op het display	Pagina	103
Informatie over de toepassing	Pagina	104
Instellingen	Pagina	104
Opnieuw opstarten	Pagina	107
Het verschil kalibreren	Pagina	107
Fabrieksinstellingen	Pagina	107
Problemen oplossen	Pagina	108

WOORDENLIJST

Zone 1, 2:	Onafhankelijke verwarmingszones waarin het ijs en de sneeuw gesmolten kunnen worden.
Knop van encoder:	U kunt aan deze knop draaien en op deze knop drukken om de instellingen eenvoudig te configureren.
ETOG-55:	Grondsensoren voor het waarnemen van vocht en van de temperatuur.
ETOR-55:	Gootsensoren voor het waarnemen van vocht.
ETOG-56/ETOK-1:	Ingebouwde grondsensoren voor het waarnemen van vocht en van de temperatuur.
ETF-744/99:	Buitensensoren voor het waarnemen van temperatuur.
Y/Δ:	Geavanceerde bediening van elektrische verwarmingssystemen met 2 fasen.
Naloop:	De warmte die het systeem gedurende een vastgestelde periode afgeeft nadat het vocht-/temperatuursignaal is uitgeschakeld door een verwarmingscyclus.

INLEIDING

Type ET02 is een elektronische controller waarmee u volledig automatisch en op energiezuinige wijze ijs en sneeuw op buitenoppervlakken en in goten kunt smelten. IJsvorming is het gevolg van een lage temperatuur in combinatie met vocht. ET02 neemt zowel de temperatuur als het vochtgehalte waar. Het verwarmingssysteem wordt allen geactiveerd wanneer beide parameters waarnemen dat er mogelijk sprake is van ijs of sneeuw.

De eenvoudig te bedienen knop en het display met achtergrondverlichting maken snelle en eenvoudige configuratie mogelijk. Ook geven ze eenvoudig de temperatuur, status, enz. weer.

ETO2 kan elektrische verwarmingskabels in 1 of 2 zones aansturen. Het systeem beschikt ook over geavanceerde uitgangsregeling met 2 fases, waardoor het op een energiezuinige wijze kan werken.

In de hydronische modus handhaaft de sensor de gewenste temperatuur voor het toevoerwater wanneer het systeem actief is. Wanneer om hitte wordt gevraagd, worden de circulatiepomp en hoofdpomp geactiveerd. Ook wordt het ventiel gedurende 1 minuut voor 20% geopend, zodat het systeem kan stabiliseren.

Wanneer er geen ijs of sneeuw gesmolten hoeft te worden, activeert het systeem de circulatiepomp om de 15 minuten 1 minuut om te controleren of de temperatuur van het retourwater gedaald is onder de verplichte "stationairtemperatuur". Wanneer dat zo is, wordt het systeem helemaal geactiveerd, zodat de temperatuur van het retourwater weer tot het gewenste niveau wordt teruggebracht.

OPSTARTEN

SELECT SCALE:
CELSIUS
FAHRENHEIT

Wanneer de ETO2 voor het eerst wordt opgestart, dient u aan te geven of u de temperatuur in Celsius of in Fahrenheit wilt tonen. Draai aan de knop van de encoder tot de gewenste temperatuurschaal wordt getoond. Bevestig vervolgens uw keuze door de knop in te drukken.

SENSOR 1:
ETOG
ETOR

Op het display wordt SENSOR 1 getoond. U kunt nu de aangesloten sensor voor ingang 1 selecteren:
 ETOG : Grondsensoren
 ETOR : Gootsensor + buitensensoren
 Bevestig vervolgens uw keuze door de knop in te drukken.

SENSOR 2:
OFF
ETOG
ETOR

Op het display wordt vervolgens SENSOR 2 getoond. U kunt nu de aangesloten sensor voor ingang 2 selecteren. Wanneer er geen sensor is aangesloten op ingang 2, dient u OFF te selecteren.

OUTDOOR SENSOR:
OFF
ETF

Wanneer er een ETF-buitensensor is aangesloten op de aansluitpunten 31-32, dient u ETF te selecteren.
 Selecteer OFF wanneer er geen ETF-sensor is aangesloten. Bevestig vervolgens uw keuze door de knop in te drukken.

APPLICATION:
ELECTRIC 1-ZONE
ELECTRIC 2-ZONE
ELECTRIC 2-STAGE
HYDRONIC

Selecteer de toepassing door aan de knop te draaien en op OK te drukken.
 ELECTRIC 1-ZONE: Regeling van elektrische verwarming met 1 zone. NB: wordt ook gebruikt voor eenvoudige hydronische installaties. Afb. 12
 ELECTRIC 2-ZONE: Regeling van elektrische verwarming met 2 zones. NB: wordt ook gebruikt voor eenvoudige hydronische installaties. Afb. 12.
 ELECTRIC 2-STAGE: Geavanceerde regeling van elektrische verwarming met 2 fases (Y/Δ) in 1 zone. Afb. 10
 HYDRONIC: Regeling van hydronische verwarming met 1 zone, met regeling van toevoerwater. Afb. 11

Selecteer de juiste optie en druk op OK. Het systeem is nu geconfigureerd en zal volledig automatisch werken overeenkomstig het eerder geconfigureerde standaardprogramma. Raadpleeg FABRIEKSINSTELLINGEN voor meer informatie. U kunt ook alternatieve instellingen invoeren. Raadpleeg daarvoor INSTELLINGEN.

ZONE 1 HEAT	OFF
ZONE 2 HEAT	OFF
AFTERRUN 1	0.00
AFTERRUN 2	0.00
STANDBY	OFF

De status en de gegevens van de naloop voor de zones 1 en 2 worden nu op het display getoond.

BEDIENING

ETO2 is voorzien van een eenvoudig te bedienen knop op de encoder die u kunt draaien en indrukken. Ook heeft ETO2 een display waarop u de huidige situatie kunt aflezen. Het display is voorzien van achtergrondverlichting. Deze verlichting gaat branden wanneer u op de knop op de encoder drukt (OK). De verlichting gaat automatisch uit na 30 seconden.

Druk op de knop op de encoder om het hoofdmenu op het display te tonen. Draai aan de knop om door de opties te bladeren. Niet alle opties worden in één keer op het display getoond. U kunt ze echter openen door aan de knop op de encoder te draaien. Druk op OK om een geselecteerde optie te kiezen.

HOOFDMENU

ZONE 1	OFF
ZONE 2	OFF
SENSOR 1	##.#°C
SENSOR 2	##.#°C
MOIST 1	NO
MOIST 2	NO
OUT. TEMP	##.#°C
SUPPLY W.	##.#°C
RETURN W.	##.#°C
ALARM	NO
SHOW INFO	
SETUP	
RESTART	
EXIT	

TEKSTEN OP HET DISPLAY

ZONE 1 **OFF** Verwarmingszone 1 actief (ON) of inactief (OFF)

ZONE 2 **OFF** Verwarmingszone 2 actief (ON) of inactief (OFF)

SENSOR 1 **##.#°C** Kerntemperatuur van sensor 1 (verwarmde sensor). Alleen van toepassing wanneer er een ETOG-sensor is aangesloten.
NB: De getoonde temperatuur is niet gelijk aan de omgevingstemperatuur tijdens het vaststellen van het vochtgehalte!

SENSOR 2 ##.##°C	<p>Kerntemperatuur van sensor 2 (verwarmde sensor). Alleen van toepassing wanneer er een ETOG-sensor is aangesloten.</p> <p>NB: De getoonde temperatuur is niet gelijk aan de omgevingstemperatuur tijdens het vaststellen van het vochtgehalte!</p>
MOIST 1 NO	Vochtstatus van sensor 1. YES / NO / Blank. 'Blank' wordt getoond wanneer de temperatuur hoger is dan de waarde van 'Set Temp' of wanneer het systeem in de nalooptmodus actief is.
MOIST 2 NO	Vochtstatus van sensor 2. YES / NO / Blank. 'Blank' wordt getoond wanneer de temperatuur hoger is dan de waarde van 'Set Temp' of wanneer het systeem in de nalooptmodus actief is.
OUT TEMP ##.##°C	Omgevingstemperatuur buiten. Alleen van toepassing wanneer er een ETF-sensor is aangesloten.
SUPPLY W. ##.##°C	Temperatuur van toevoerwater, alleen voor hydronische toepassingen.
RETURN W. ##.##°C	Temperatuur van retourwater, alleen voor hydronische toepassingen.
ALARM NO	Storing; het type storing wordt getoond. Het rode led-lampje aan de voorzijde van het apparaat knippert.

INFORMATIE OVER DE TOEPASSING

SHOW INFO

APP: E. 1-ZONE	Soort toepassing: elektrische of hydronische verwarming
SW VERSION 1.00	Softwareversie
SENSOR 1 ETOG	Sensortype, sensor 1
SENSOR 2 OFF	Sensortype, sensor 2
SENSOR ETF OFF	Of er een ETF-sensor is aangesloten of niet
EXIT	Terug naar het hoofdmenu

INSTELLINGEN

N.B.: onjuiste configuratie van het sensortype kan resulteren in slechte smelting van ijs en sneeuw. Druk op OK. Op het display wordt een submenu getoond. Selecteer de parameter die u wilt configureren en druk op OK.

SETUP**FORCE HEAT OFF**

Geforceerde verwarming handmatig starten. Druk op OK en selecteer ON om de geforceerde verwarming te starten. De ETO2-controller zorgt gedurende de vooraf geprogrammeerde nalooptijd voor warmte. Raadpleeg AFTERRUN 1 en 2.

SELECT SCALE C

Hier kunt u selecteren of de temperatuur getoond moet worden in Celsius (C) of Fahrenheit (F). Selecteer de gewenste schaal en druk op OK. Druk op OK om terug te keren naar het menu SETUP.

SET TEMP 1 3.0C

Stel de temperatuur in voor zone 1: Hier kunt u de temperatuur instellen waarbij het smeltsysteem voor ijs en sneeuw geactiveerd wordt. U kunt de temperatuur instellen binnen een bereik van +50/-20 °C (122/-4 °F). Stel de gewenste temperatuur in en druk op OK.

SET TEMP 2 3.0C

Stel de temperatuur in voor zone 2: Hier kunt u de temperatuur instellen waarbij het smeltsysteem voor ijs en sneeuw geactiveerd wordt. U kunt de temperatuur instellen binnen een bereik van +50/-20 °C (122/-4 °F). Stel de gewenste temperatuur in en druk op OK.

OFF TEMP 1 OFF

Hier kunt u de laagste bedrijfstemperatuur voor zone 1 instellen. Wanneer de temperatuur onder deze temperatuur daalt, zal het systeem overschakelen naar de stand-by-modus. U kunt kiezen voor een instelling tot -20 °C (-3,9 °F). Ook kunt u OFF selecteren. OFF = geen limiet. Druk op OK om de minimale inschakeltemperatuur te wijzigen. Draai vervolgens de knop van de encoder naar de gewenste waarde en bevestig uw code door op OK te drukken.

OFF TEMP 2 OFF

Hier kunt u de laagste bedrijfstemperatuur voor zone 2 instellen. U kunt kiezen voor een instelling tot -20 °C (-3,9 °F). Ook kunt u OFF selecteren. OFF = geen limiet. Druk op OK om de minimale inschakeltemperatuur te wijzigen. Draai vervolgens de knop van de encoder naar de gewenste waarde en bevestig uw code door op OK te drukken.

AFTERRUN 1 2:00

Nalooptijd zone 1: U kunt hier een nalooptijd van 0 tot 18 uur instellen. Het systeem blijft gedurende de vastgestelde periode warmte afgeven nadat het vocht-/temperatuursignaal is uitgeschakeld door een verwarmingscyclus. Gebruik de knop op de encoder om de gewenste nalooptijd in te stellen en druk vervolgens op OK.

AFTERRUN 2 2:00

Nalooptijd zone 2: U kunt hier een nalooptijd van 0 tot 18 uur instellen. Gebruik de knop op de encoder om de gewenste nalooptijd in te stellen en druk vervolgens op OK.

OFFSET T1 0.0C

Hier kunt u de temperatuur voor zone 1 instellen. Wanneer u gebruik maakt van de ETOG-55-sensor, is de temperatuur die op het ETO2-display wordt getoond altijd de kerntemperatuur van de sensor. Raadpleeg HET VERSCHIL KALIBREREN voor meer informatie.

OFFSET T2 0.0C

Hier kunt u de temperatuur voor zone 2 instellen. Wanneer u gebruik maakt van de ETOG-55-sensor, is de temperatuur die op het ETO2-display wordt getoond altijd de kerntemperatuur van de sensor. Raadpleeg HET VERSCHIL KALIBREREN voor meer informatie.

OFFSET OUT. 0.0C

Hier kunt u de buitentemperatuur instellen. De temperatuur die door de ETF-buitensensor wordt gemeten, kan zo worden ingesteld dat de exacte temperatuur op ETO2 wordt getoond. Meet de temperatuur naast de sensor met behulp van een thermometer. Pas het verschil aan met behulp van de knop op de encoder. Druk op OK.

MIN WATER 5.0C

Hier kunt u de minimumtemperatuur voor het retourwater instellen. Stel de gewenste minimumtemperatuur in en druk op OK.
Deze menu-optie is alleen beschikbaar wanneer u gebruik maakt van hydronische verwarming.

MAX WATER 55.0C

Hier kunt u de maximumtemperatuur voor het toevoerwater instellen. Stel de gewenste maximumtemperatuur in en druk op OK.
Deze menu-optie is alleen beschikbaar wanneer u gebruik maakt van hydronische verwarming.

SENSOR HEAT AUTO

In de automatische modus wordt de sensorverwarming uitgeschakeld wanneer de smeltfunctie actief is. De sensor kan tijdens ongebruikelijke omstandigheden of tijdens extreme kou voortdurend verwarmd worden. Selecteer ON en druk op OK.

MOIST CTRL ON

Hier kunt u de vochtregeling uitschakelen. Wanneer u dat doet, wordt het smelten van sneeuw en ijs alleen geregeld op basis van de ingestelde temperatuur. Raadpleeg SET TEMP voor meer informatie. Selecteer OFF om de vochtregeling uit te schakelen. Druk vervolgens op OK.



N.B.: het energieverbruik en de daaraan verbonden kosten stijgen wanneer de vochtregeling wordt uitgeschakeld.

SENSITIVITY NORM

U kunt de gevoeligheid van de sensor in 5 stappen aanpassen: MIN: bijv. voor gestrooide wegen - LOW: bijv. voor vuile sneeuw - NORM: bijv. voor gemengde sneeuw - HIGH: bijv. voor witte sneeuw - MAX: bijv. voor zeer zuivere sneeuw of voor rijm. Druk op OK om de gevoeligheid te wijzigen. Draai vervolgens de knop van de encoder naar de gewenste instelling en bevestig uw code door op OK te drukken.

LANGUAGE ENGLISH

Informatie over de taal.

FACTORY RESET

Hier kunt u alle fabrieksinstellingen voor ETO2 herstellen. Wanneer u deze optie selecteert, worden alle aangepaste instellingen gewist.

REINSTALL

REINSTALL
PASSWORD XXXX

Wanneer er sprake is van een configuratiefout in het menu STARTUP of wanneer er nieuwe hardware wordt aangesloten, dient u de primaire configuratie te wijzigen via het

menu STARTUP. Selecteer PASSWORD en draai de knop van de encoder naar de fabriekscode (1202). De controller keert terug naar het menu STARTUP. Raadpleeg OPSTARTEN voor meer informatie.

EXIT

Selecteer deze optie en druk op OK om terug te keren naar het hoofdmenu.

OPNIEUW OPSTARTEN

Wanneer u de instellingen wijzigt of wanneer het proces opnieuw gestart moet worden, kunt u de ETO2 opnieuw opstarten via het menu RESTART.

RESTART

Het systeem wordt dan opnieuw opgestart. Al uw huidige instellingen blijven behouden. De ETO2 schakelt over naar het oorspronkelijke statusdisplay.

HET VERSCHIL KALIBREREN

Volg de onderstaande stappen wanneer u de door de ETOG-sensor gemeten temperatuur moet aanpassen.

1. Koppel de sensor los van de aansluitpunten 11 en 12 (sensorverwarming) van de ETO2.
2. Wacht een paar uur tot de sensor de temperatuur van de grond heeft aangenomen.
3. Meet de echte temperatuur van de grond en van de sensor en vergelijk deze met de temperatuur die op het display van de ETO2 wordt getoond.
4. Programmeer het verschil voor de bewuste sensor, zodat het verschil tussen de twee temperaturen (de getoonde temperatuur en de daadwerkelijke temperatuur) wordt gecorrigeerd. Pas het verschil aan met behulp van de knop op de encoder. Druk op OK.
5. Sluit de sensor weer aan op de aansluitpunten 11 en 12 (sensorverwarming) van de ETO2.

NB: Wanneer u gebruik maakt van de ETOG-sensor, is de temperatuur die op het ETO2-display wordt getoond altijd de kerntemperatuur van de sensor.

FABRIEKSINSTELLINGEN

CONFIGURATIE	FABRIEKSINSTELLINGEN	EIGEN INSTELLINGEN
Toepassing	Elektrisch	
Sensor 1	ETOG	
Sensor 2	OFF (UIT)	
Kies een schaal	Celsius	
Nalooptijd Zone 1	2.00 uur	
Nalooptijd Zone 2	2.00 uur	
Temp.-compensatie Zone 1	0,0 °C / 0,0 °F	
Temp.-compensatie Zone 2	0,0 °C / 0,0 °F	
Temp.-compensatie ETF	0,0 °C / 0,0 °F	
Instelpunt temperatuur Zones 1 en 2	3,0 °C / 37,4 °F	
OFF-temperatuur Zones 1 en 2	OFF (UIT)	
Sensorverwarming Zones 1 en 2	AUTO	

Vochtregeling Zones 1 en 2	ON
Gevoeligheid Zones 1+2	NORM
Min. watertemperatuur	5 °C / 41 °F
Max. watertemperatuur	55 °C / 131 °F

PROBLEMEN OPLOSSEN

We raden u aan om de configuratie van de ETO2 te controleren wanneer er storingen in het smeltsysteem voor ijs en sneeuw optreden. Open het menu door op de knop van de encoder te drukken. Selecteer SHOW INFO om de instellingen voor de toepassing te tonen. Activeer REINSTALL met behulp van de fabriekscodes 1202 wanneer er sprake is van fouten in de configuratie. Controleer of alle onderdelen goed zijn aangesloten en of de kabels in de klemmen bevestigd zijn. Raadpleeg onze website voor antwoorden op veelgestelde vragen: [www.ojelectronics.com / support / FAQ – Snowmelting](http://www.ojelectronics.com/support/FAQ-Snowmelting).

Het ijs/de sneeuw smelt niet

- **Toont het display HEAT ON in zone 1/2?**

JA:

- o Wacht 1 tot 2 uur.
- o Controleer de sneeuw. Wanneer de onderlaag smelt, werkt het systeem naar behoren.
- o Controleer de verwarmingskabels om te kijken of er sprake is van defecten of slechte of onjuiste aansluitingen.
- o Wellicht is het te koud om de sneeuw te laten smelten (onvoldoende vermogen/m2). De verwarmingskabels of het hydronische verwarmingssysteem is dan te kleinschalig voor de toepassing.

NEE:

- o De temperatuur is hoger dan de waarde voor SET TEMP. Stel SET TEMP in op een hogere temperatuur.
- o De sneeuw rondom de grondsensoren is gesmolten of de smeltsneeuw heeft de sensor blootgelegd.
Verhoog de AFTERRUN-tijd of activeer FORCE HEAT.
- o Er is een ijs rondom de sensor ontstaan. De grondsensoren hebben een geïsoleerde holte onder de sneeuw gesmolten.
Activeer FORCE HEAT of stel MOIST CTRL in op OFF.
- o De temperatuur is lager dan de instelling voor OFF TEMP.
Afhankelijk van de warmteopbrengst kan het systeem een lagere temperatuurlimiet hebben waarbij de sneeuw kan smelten.
Probeer de sneeuw te smelten door FORCE HEAT te activeren voor u de OFF TEMP wijzigt.

De verwarming sluit niet af nadat het ijs/de sneeuw is gesmolten

- o De ingestelde waarde voor AFTERRUN is te hoog. Verlaag de AFTERRUN-tijd en druk in het menu op RESTART.
- o Vochtdetectie in de ETOG-/ETOR-sensoren is uitgeschakeld. Stel MOIST CTRL in het menu in op ON.

Wanneer de rode ALARM-knop knippert, is één van de volgende storingen opgetreden. Het relevante bericht wordt in het menu ALARM getoond.

- “RETURN TEMP LOW”** - De temperatuur van het water in de retourleiding is te laag.
- “SUPPLY TEMP HIGH”** - De temperatuur van het water in de toevoerleiding is te hoog.
- “RETURN SENSOR”** - De retoursensor is defect.
- “SUPPLY SENSOR”** - De toevoersensor is defect.
- “TEMP SENSOR 1”** - Temperatuursensor 1 (grond of dak) is defect.
- “TEMP SENSOR 2”** - Temperatuursensor 2 (grond of dak) is defect.
- “OUTDOOR SENSOR”** - De buitensensor is defect.
- “SENSOR HEATER”** - Er is sprake van kortsluiting in het verwarmingselement in de grond of op het dak.
- “FROST PROTECT”** - Antivriesbeveiliging actief vanwege lage retourtemperatuur (alleen voor hydronische systemen).



Česky

Návod k použití



OBSAH

Slovníček	strana	110
Úvod	strana	110
Spuštění	strana	111
Ovládání	strana	112
Hlavní menu	strana	112
Texty na displeji	strana	112
Informace o aplikaci	strana	113
Nastavení	strana	113
Restartování	strana	115
Kalibrace posunutí	strana	116
Tovární nastavení	strana	116
Odstraňování potíží	strana	116

SLOVNÍČEK

Zóna 1, 2:	Nezávislé zóny vyhřívání, ve kterých lze zajistit odtávání ledu a sněhu.
Tlačítko kodéru:	Tlačítko, kterým lze otáčet nebo ho stisknout a slouží ke snadné konfiguraci nastavení.
ETOG-55:	Zemní čidlo pro detekci vlhkosti a teploty.
ETOR-55:	Okapové čidlo pro detekci vlhkosti.
ETOG-56/ETOK-1:	Zapuštěné zemní čidlo pro detekci vlhkosti a teploty.
ETF-744/99:	Venkovní čidlo pro detekci teploty.
Y/Δ:	Pokročilá dvoustupňová regulace systémů elektrického vyhřívání.
Doběh:	Stanovená doba, po kterou systém produkuje teplo poté, co topný cyklus eliminoval signál detekce vlhkosti nebo teploty.

ÚVOD

Typ ETO2 je elektronický regulátor, který se používá pro automatické, ekonomické odtávání ledu a sněhu na venkovních plochách a v okapech. Led se tvoří díky kombinaci nízké teploty a vlhkosti. ETO2 detekuje teplotu i vlhkost a topný systém se aktivuje jen v případě, že oba parametry indikují možnost tvorby ledu nebo hromadění sněhu.

Snadno ovladatelné tlačítko kodéru a podsvícený grafický displej zajišťují rychlou a snadnou konfiguraci a jednoduchou indikaci teploty, stavu a podobně.

Regulátor ETO2 je vhodný pro ovládání elektrických topných kabelů v 1 nebo 2 zónách. Také je vybaven pokročilou dvoustupňovou regulací výkonu pro zajištění ekonomiky provozu.

Když je systém aktivován v režimu teplovodního vytápění, čidlo v přívodním potrubí udržuje požadovanou teplotu vody v přívodním potrubí. V případě požadavku na dodávku tepla se aktivuje oběhové i hlavní čerpadlo a ventil se otevře na dobu 1 minuty na 20 %, aby se systém stabilizoval.

Když není potřeba zajistit odtávání ledu nebo sněhu, systém aktivuje oběhové čerpadlo na dobu 1 minuty každých 15 minut, aby zkontroloval, zda teplota vody ve zpětném potrubí neklesla pod požadovanou „teplotu v době nečinnosti“. Pokud k tomu dojde, systém se plně aktivuje, aby se teplota vody ve zpětném potrubí zvýšila na požadovanou úroveň.

SPUŠTĚNÍ

SELECT SCALE:
CELSIUS
FAHRENHEIT

Při prvním zapnutí regulátoru ETO2 je nutné vybrat, zda se budou používat stupně Celsia nebo Fahrenheita. Otočte tlačítkem kodéru tak, abyste zvýraznili požadovanou teplotní stupnici. Potom potvrďte výběr stisknutím tlačítka kodéru.

SENSOR 1:
ETOG
ETOR

Na displeji se zobrazí položka SENSOR 1, která umožňuje zvolit typ čidla připojeného do vstupu 1:
 ETOG: Zemní čidlo
 ETOR: Okapové čidlo + venkovní čidlo
 Potom potvrďte výběr stisknutím tlačítka kodéru.

SENSOR 2:
OFF
ETOG
ETOR

Potom se na displeji zobrazí položka SENSOR 2, která umožňuje zvolit typ čidla připojeného do vstupu 2. Není-li do vstupu 2 připojené žádné čidlo, je nutné vybrat možnost OFF.

OUTDOOR SENSOR:
OFF
ETF

Pokud je ke svorkám 31-32 připojené venkovní čidlo ETF, vyberte možnost ETF. Není-li čidlo ETF připojené, vyberte možnost OFF. Potom potvrďte výběr stisknutím tlačítka kodéru.

APPLICATION:
ELECTRIC 1-ZONE
ELECTRIC 2-ZONE
ELECTRIC 2-STAGE
HYDRONIC

Vyberte typ aplikace otáčením tlačítka kodéru a stisknutím OK.
 ELECTRIC 1-ZONE: Regulace jednozónového elektrického vyhřívání. Poznámka: Používá se rovněž pro jednoduché teplovodní vytápění. Obr. 12
 ELECTRIC 2-ZONE: Regulace dvouzónového elektrického vyhřívání. Poznámka: Používá se rovněž pro jednoduché teplovodní vytápění. Obr. 12
 ELECTRIC 2-STAGE: Pokročilá dvoustupňová regulace elektrického vyhřívání (Y/Δ) jedné zóny. Obr. 10
 HYDRONIC: Jednozónová regulace u teplovodního vytápění s řízením teploty vody v přívodním potrubí. Obr. 11

Vyberte příslušnou možnost a stiskněte OK. Systém je nyní nastaven a začne fungovat plně automaticky podle předem nakonfigurovaného standardního programu, viz část TOVÁRNÍ NASTAVENÍ. Lze provést také alternativní nastavení, viz část NASTAVENÍ.

ZONE 1 HEAT	OFF
ZONE 2 HEAT	OFF
AFTERRUN 1	0.00
AFTERRUN 2	0.00
STANDBY 2	OFF

Nyní se na displeji zobrazí stav a data doběhu pro zóny 1 a 2.

OVLÁDÁNÍ

Regulátor ETO2 je vybaven snadno ovladatelným tlačítkem kodéru (umožňujícím otáčení a stisknutí) a displejem zobrazujícím aktuální situaci. Displej je podsvícený a stisknutím tlačítka kodéru (OK) ho osvítíte. Osvícení se automaticky vypne za 30 sekund.

Stisknutím tlačítka kodéru zobrazíte na displeji hlavní menu.

Otáčením tlačítka procházíte možnosti. Na displeji se nemusí zobrazit všechny možnosti, ale další položky v seznamu zobrazíte otáčením tlačítka kodéru.

Stisknutím OK vyberete zvýrazněnou možnost.

HLAVNÍ MENU

ZONE 1	OFF
ZONE 2	OFF
SENSOR 1	##.#°C
SENSOR 2	##.#°C
MOIST 1	NO
MOIST 2	NO
OUT. TEMP	##.#°C
SUPPLY W.	##.#°C
RETURN W.	##.#°C
ALARM	NO
SHOW INFO	
SETUP	
RESTART	
EXIT	

TEXTY NA DISPLEJI

ZONE 1 **OFF**

Zóna vyhřívání 1 je aktivní (ON) nebo neaktivní (OFF)

ZONE 2 **OFF**

Zóna vyhřívání 2 je aktivní (ON) nebo neaktivní (OFF)

SENSOR 1 **##.#°C**

Vnitřní teplota čidla 1 (vyhřívané čidlo). Používá se jen tehdy, když je připojené čidlo ETOG.

POZNÁMKA: Zobrazená teplota se nerovná okolní teplotě v okamžiku detekce vlhkosti!

SENSOR 2 **##.#°C**

Vnitřní teplota čidla 2 (vyhřívané čidlo). Používá se jen tehdy, když je připojené čidlo ETOG.

POZNÁMKA: Zobrazená teplota se nerovná okolní teplotě v okamžiku detekce vlhkosti!

MOIST 1	NO	Stav detekce vlhkosti čidlem 1. YES / NO / Prázdná položka. Prázdná položka se zobrazí, když je teplota vyšší než nastavená teplota nebo je systém v režimu doběhu.
MOIST 2	NO	Stav detekce vlhkosti čidlem 2. YES / NO / Prázdná položka. Prázdná položka se zobrazí, když je teplota vyšší než nastavená teplota nebo je systém v režimu doběhu.
OUT TEMP	##.#°C	Okolní venkovní teplota. Používá se jen tehdy, když je připojené čidlo ETF.
SUPPLY W.	##.#°C	Teplota vody v přívodním potrubí, pouze u teplovodního vytápění.
RETURN W.	##.#°C	Teplota vody ve zpětném potrubí, pouze u teplovodního vytápění.
ALARM	NO	Chybová zpráva, zobrazí se typ chyby. Bude blikat červená LED kontrolka na přední straně jednotky.

INFORMACE O APLIKACI

SHOW INFO

APP:	E. 1-ZONE	Typ aplikace: elektrické vyhřívání nebo teplovodní vytápění
SW VERSION	1.00	Verze softwaru
SENSOR 1	ETOG	Typ čidla, čidlo 1
SENSOR 2	OFF	Typ čidla, čidlo 2
SENSOR ETF	OFF	Zda je připojené čidlo ETF
EXIT		Návrat do hlavního menu

NASTAVENÍ

Uvědomte si, že nesprávné nastavení čidel může vést k nedostatečnému odtávání ledu a sněhu. Stisknutím OK zobrazíte na displeji podmenu. Vyberte parametr, který chcete nastavit, a stiskněte OK.

SETUP

FORCE HEAT	OFF	Ruční spuštění nuceného vyhřívání. Stiskněte OK a vyberte možnost ON, abyste spustili nucené vyhřívání. Regulátor ETO2 zajistí dodávku tepla po předem naprogramovanou dobu doběhu, viz položky AFTERRUN 1 a 2.
-------------------	------------	---

- SELECT SCALE C** Zde je možné vybrat, jestli se teplota zobrazí ve stupních Celsia (C) nebo Fahrenheita (F). Vyberte požadovanou stupnici a stiskněte OK. Stisknutím OK se vrátíte do menu SETUP.
- SET TEMP 1 3.0C** Nastavení teploty pro zónu 1: Zde se nastavuje teplota, při které se aktivuje systém odtávání ledu a sněhu. Teplotu lze nastavit v rozsahu +50/-20 °C (122/-4 °F). Nastavte požadovanou teplotu a stiskněte OK.
- SET TEMP 2 3.0C** Nastavení teploty pro zónu 2: Zde se nastavuje teplota, při které se aktivuje systém odtávání ledu a sněhu. Teplotu lze nastavit v rozsahu +50/-20 °C (122/-4 °F). Nastavte požadovanou teplotu a stiskněte OK.
- OFF TEMP 1 OFF** Zde se nastavuje nejnižší provozní teplota pro zónu 1. Pod touto teplotou přejde systém do pohotovostního stavu. Je možné nastavit teplotu až -20 °C (-3,9 °F), nebo je možné vybrat OFF. OFF = bez omezení. Chcete-li změnit minimální vypínací teplotu, stiskněte OK, otočte tlačítkem kodéru na požadovanou hodnotu a potvrďte pomocí OK.
- OFF TEMP 2 OFF** Zde se nastavuje nejnižší provozní teplota pro zónu 2. Je možné nastavit teplotu až -20 °C (-3,9 °F), nebo je možné vybrat OFF. OFF = bez omezení. Chcete-li změnit minimální vypínací teplotu, stiskněte OK, otočte tlačítkem kodéru na požadovanou hodnotu a potvrďte pomocí OK.
- AFTERRUN 1 2:00** Doba doběhu, zóna 1: Zde je možné nastavit dobu doběhu v intervalu 0 až 18 hodin. Systém bude nadále zajišťovat dodávku tepla po stanovenou dobu poté, co topný cyklus eliminoval signál detekce vlhkosti nebo teploty. Tlačítkem kodéru nastavte požadovanou dobu doběhu a stiskněte OK.
- AFTERRUN 2 2:00** Doba doběhu, zóna 2: Zde je možné nastavit dobu doběhu v intervalu 0 až 18 hodin. Tlačítkem kodéru nastavte požadovanou dobu doběhu a stiskněte OK.
- OFFSET T1 0.0C** Zde se provádí kalibrace teploty pro zónu 1. Při použití čidla ETOG-55 je na displeji regulátoru ETO2 vždy zobrazená vnitřní teplota čidla. Informace o kalibraci najdete v části *KALIBRACE POSUNUTÍ*.
- OFFSET T2 0.0C** Zde se provádí kalibrace teploty pro zónu 2. Při použití čidla ETOG-55 je na displeji regulátoru ETO2 vždy zobrazená vnitřní teplota čidla. Informace o kalibraci najdete v části *KALIBRACE POSUNUTÍ*.
- OFFSET OUT. 0.0C** Zde se provádí kalibrace venkovní teploty. Teplotu zaznamenanou venkovním čidlem ETF lze upravit tak, aby se na displeji regulátoru ETO2 zobrazila přesná teplota. Změňte teplotu u čidla teploměrem. Proveďte nastavení posunutí pomocí tlačítka kodéru. Stiskněte OK.
- MIN WATER 5.0C** Zde se nastavuje minimální teplota vody ve zpětném potrubí. Nastavte požadovanou minimální teplotu a stiskněte OK. Tato možnost menu je dostupná jen v případě regulace u teplovodního vytápění.

MAX WATER 55.0C

Zde se nastavuje maximální teplota vody v přírodním potrubí. Nastavte požadovanou maximální teplotu a stiskněte OK. Tato možnost menu je dostupná jen v případě regulace u teplovodního vytápění.

SENSOR HEAT AUTO

V automatickém režimu se vyhřívání čidla vypne v době, kdy je aktivní odtávání sněhu. Za speciálních podmínek nebo během mimořádně chladného počasí lze čidlo vyhřívát nepřetržitě. Vyberte možnost ON a stiskněte OK.

MOIST CTRL ON

Zde je možné vypnout regulaci na základě vlhkosti. V tomto případě bude odtávání sněhu a ledu řízeno jen nastavenou teplotou, viz položka SET TEMP. Chcete vypnout regulaci na základě vlhkosti, vyberte možnost OFF a stiskněte OK.



Když vypnete regulaci na základě vlhkosti, zvýší se spotřeba energie a náklady.

SENSITIVITY NORM

Citlivost čidla lze nastavit v 5 stupních: MIN: například pro solené vozovky – LOW: například pro špinavý sníh – NORM: například pro smíšené sněhové podmínky – HIGH: například pro bílý sníh – MAX: například pro velmi čerstvý sníh nebo jinovatku. Chcete-li změnit citlivost, stiskněte OK, otočte tlačítkem kodéru na požadovanou hodnotu a potvrďte pomocí OK.

LANGUAGE ENGLISH

Informace o jazyku.

FACTORY RESET

Zde je možné obnovit veškerá tovární nastavení regulátoru ETO2. Zvolením této možnosti odstraní všechna vlastní nastavení.

REINSTALL

REINSTALL
PASSWORD **XXXX**

V případě chyby nastavení v menu STARTUP, nebo vždy při připojení nového hardwaru, je nutné změnit v menu STARTUP primární nastavení. Vyberte možnost PASSWORD a otočte tlačítkem kodéru na tovární kód (1202). Regulátor se vrátí do menu STARTUP, viz část SPUŠTĚNÍ.

EXIT

Zvolením této možnosti a stisknutím OK se vrátíte do hlavního menu.

RESTARTOVÁNÍ

Po změně nastavení nebo když je potřeba zahájit nový proces, umožňuje toto menu restartovat regulátor ETO2.

RESTART

Restartuje provoz při zachování všech aktuálních nastavení. ETO2 přejde do zobrazení aktuálního stavu.

KALIBRACE POSUNUTÍ

Pokud je potřeba zkalibrovat teplotu naměřenou čidlem ETOG, postupujte následovně:

1. Odpojte čidlo od svorek 11 a 12 (vyhřívání čidla) regulátoru ETO2.
2. Počkejte několik hodin, než se teplota čidla srovná s teplotou v zemi.
3. Změřte skutečnou teplotu země/čidla a porovnejte ji s teplotou zobrazenou na displeji ETO2.
4. Naprogramujte posunutí pro dané čidlo tak, aby odpovídalo rozdílu teplot (zobrazená/skutečná). Proveďte nastavení posunutí pomocí tlačítka kodéru. Stiskněte OK.
5. Znovu připojte čidlo do svorek 11 a 12 regulátoru ETO2.

POZNÁMKA: Při použití čidla ETOG je na displeji regulátoru ETO2 vždy zobrazená vnitřní teplota čidla.

TOVÁRNÍ NASTAVENÍ

POLOŽKA	TOVÁRNÍ NASTAVENÍ	VLASTNÍ NASTAVENÍ
Aplikace	Elektrické vyhřívání	
Čidlo 1	ETOG	
Čidlo 2	OFF	
Výběr stupnice	Stupně Celsia	
Doba doběhu, zóna 1	2.00 hodiny	
Doba doběhu, zóna 2	2.00 hodiny	
Posunutí teploty, zóna 1	0.0 °C / 0.0 °F	
Posunutí teploty, zóna 2	0.0 °C / 0.0 °F	
Posunutí teploty ETF	0.0 °C / 0.0 °F	
Nastavená teplota, zóny 1+2	3.0 °C / 37.4 °F	
Vypínací teplota, zóny 1+2	OFF	
Vyhřívání čidla, zóny 1+2	AUTO	
Regulace pomocí vlhkosti, zóny 1+2	ON	
Citlivost, zóny 1+2	NORM	
Min. teplota vody	5 °C / 41 °F	
Max. teplota vody	55 °C / 131 °F	

ODSTRAŇOVÁNÍ POTÍŽÍ

Pokud dojde v systému odtávání ledu a sněhu k chybě, doporučujeme zkontrolovat nastavení regulátoru ETO2. Aktivujte menu stisknutím tlačítka kodéru a zvolte položku SHOW INFO, abyste zobrazili nastavení aplikace. Pokud jsou v nastavení chyby, aktivujte příkaz REINSTALL pomocí továrního kódu 1202.

Zkontrolujte, zda jsou správná všechna zapojení a zda jsou kabely řádně upevněné ve svorkách. Odpovědi na časté dotazy najdete na webu: www.ojelectronics.com / support / FAQ - Snowmelting.

Ice/snow does not melt

- **Zobrazuje se na displeji položka HEAT ON pro zónu 1 / 2?**
ANO:
 - o Počkejte 1 až 2 hodiny.

- o Zkontrolujte stav pod sněhem. Pokud sníh začíná roztávat, systém je v pořádku.
- o Zkontrolujte topné kabely z hlediska závad a špatného či nesprávného zapojení.
- o Možná je příliš nízká teplota pro odtávání sněhu (nedostatečný výkon na metr čtverečný), tj. topné kabely nebo systém teplovodního vytápění jsou poddimenzované.

NE:

- o Teplota je vyšší než nastavená hodnota SET TEMP. Upravte hodnotu SET TEMP na vyšší teplotu.
- o Sníh kolem zemního čidla roztál nebo poletující sníh obnažil čidlo. Prodlužte dobu doběhu AFTERRUN nebo aktivujte FORCE HEAT.
- o V okolí čidla nastal iglú efekt. Zemní čidlo rozpustilo pod sněhem izolovanou dutinu. Aktivujte FORCE HEAT nebo nastavte položku MOIST CTRL na OFF.
- o Teplota je nižší než nastavená hodnota OFF TEMP.
V závislosti na tepelném výkonu může mít systém nižší teplotní limit, při kterém dochází k odtávání sněhu.
Zkuste nechat sníh odtát pomocí příkazu FORCE HEAT předtím, než změníte nastavenou hodnotu OFF TEMP.

Po odtání ledu/sněhu nedojde k vypnutí vyhřívání.

- o Doba doběhu AFTERRUN je příliš dlouhá – zkratzte ji a v menu aktivujte příkaz RESTART.
- o Je vypnutá detekce vlhkosti u čidla ETOG/ETOR – nastavte v menu položku MOIST CTRL na ON.

Pokud bliká červené tlačítko ALARM, došlo k jedné z následujících chyb. V menu ALARM se zobrazí příslušná zpráva.

- „RETURN TEMP LOW“ – Příliš nízká teplota vody ve zpětném potrubí.
- „SUPPLY TEMP HIGH“ – Příliš vysoká teplota vody v přívodním potrubí.
- „RETURN SENSOR“ – Vadné čidlo ve zpětném potrubí.
- „SUPPLY SENSOR“ – Vadné čidlo v přívodním potrubí.
- „TEMP SENSOR 1“ – Vadné teplotní čidlo 1 (zemní nebo střešní).
- „TEMP SENSOR 2“ – Vadné teplotní čidlo 2 (zemní nebo střešní).
- „OUTDOOR SENSOR“ – Vadné venkovní čidlo.
- „SENSOR HEATER“ – Došlo ke zkratu topného prvku u zemního nebo střešního čidla.
- „FROST PROTECT“ – Byla aktivována ochrana proti zamrznutí z důvodu nízké teploty ve zpětném potrubí.
(pouze u systémů teplovodního vytápění)

MENU OVERVIEW:

STARTUP

SELECT SCALE
 CELSIUS
 FAHRENHEIT

SENSOR 1
 ETOG
 ETOR

SENSOR 2
 OFF
 ETOG
 ETOR

OUTDOOR SENSOR
 OFF
 ETF

APPLICATION
 ELECTRIC 1-ZONE
 ELECTRIC 2-ZONE
 ELECTRIC 2-STEP
 WATER BASED

MAIN MENU

ZONE 1	OFF
ZONE 2	OFF
SENSOR 1	##.# °C
SENSOR 2	##.# °C
MOIST 1	NO
MOIST 2	NO
OUT. TEMP	##.# °C
SUPPLY W.	b##.# °C
RETURN W.	##.# °C
ALARM	NO
SHOW INFO	
SETUP	
RESTART	
EXIT	

OPERATION

ZONE 1 HEAT	OFF
ZONE 2 HEAT	OFF
AFTERRUN 1	0.00
AFTERRUN 2	0.00
STANDBY	OFF

ALARM MENU

ACTIVE ALARMS
 RETURN TEMP LOW
 SUPPLY TEMP HIGH
 RETURN SENSOR
 SUPPLY SENSOR
 TEMP SENSOR 1
 TEMP SENSOR 2
 OUTDOOR SENSOR
 SENSOR HEATER
 FROST PROTECT
 EXIT

SETUP

FORCE HEAT	OFF
SELECT SCALE	C
SET TEMP 1	3.0C
SET TEMP 2	3.0C
OFF TEMP 1	OFF
OFF TEMP 2	OFF
AFTERRUN 1	2.00
AFTERRUN 2	2.00
OFFSET T1	0.0C
OFFSET T2	0.0C
OFFSET	OUT
MIN WATER	5.0C
MAX WATER	55.0C
SENSOR HEAT	AUTO
MOIST CTRL	ON
SENSITIVITY	NORM
LANGUAGE	ENGLISH
FACTORY RESET	
REINSTALL	
EXIT	

SHOW INFO

APP:	E. 1-ZONE
SW VERSION	1.13
SENSOR 1	ETOG
SENSOR 2	OFF
SENSOR ETF	OFF
EXIT	

REINSTALL
 REINSTALL
 PASSWORD 1202

FACTORY RESET
 EXIT
 RESET

RESTART

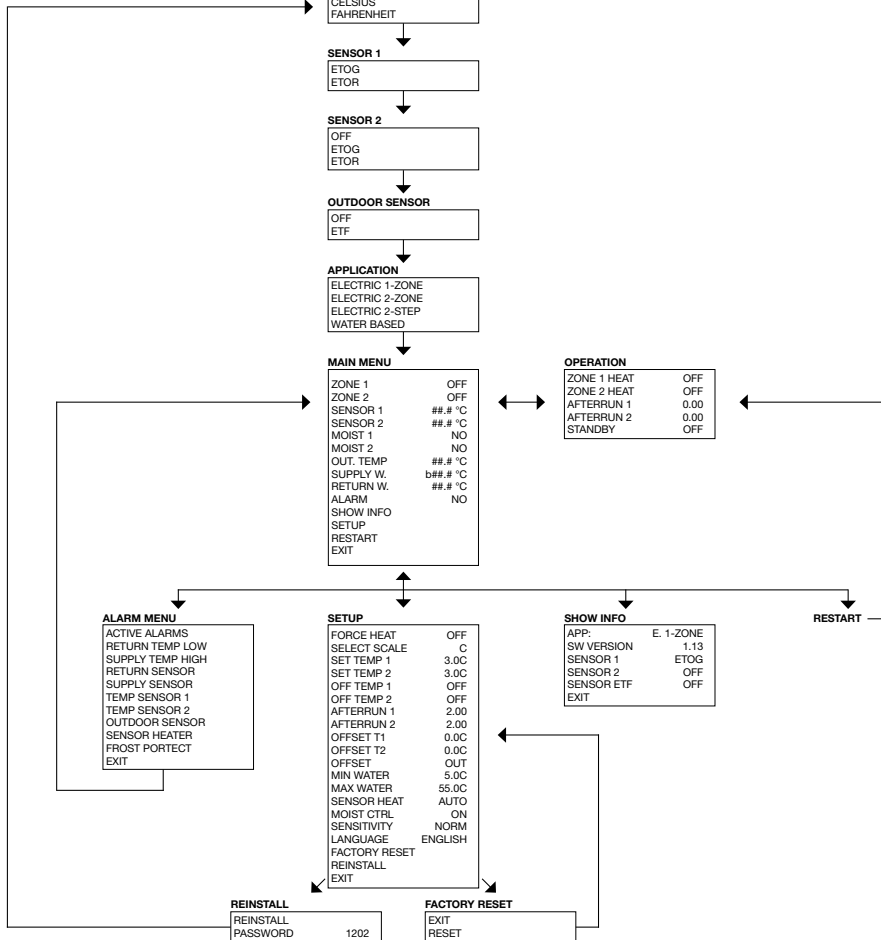
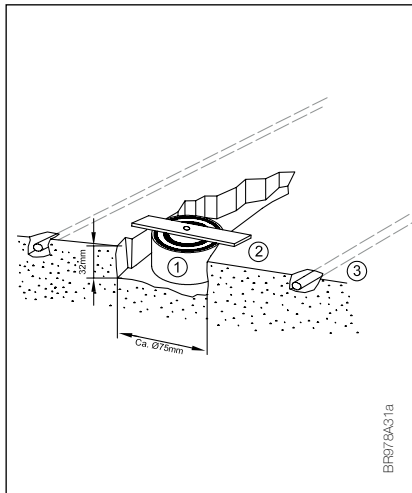
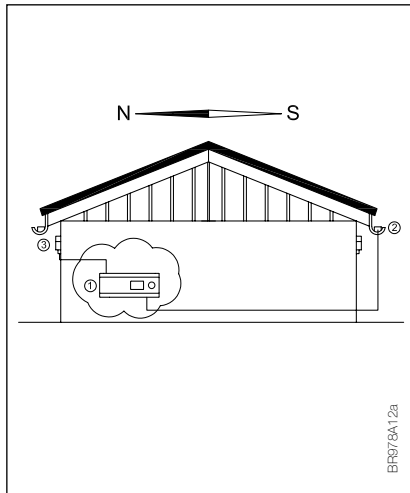


Fig. 1 Installation of ETOG ground sensor



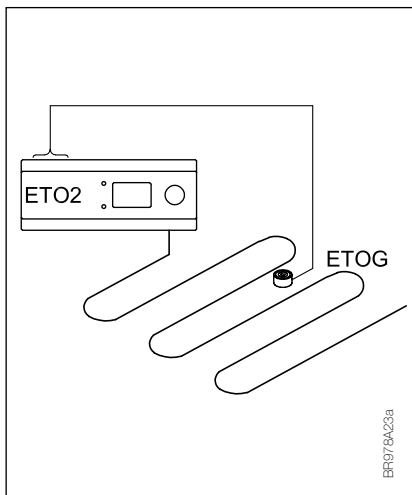
BR07/8A31a

Fig. 2 Installation of ETOR gutter sensor and ETF outdoor sensor



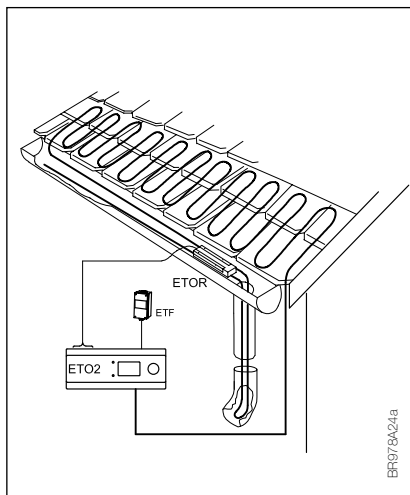
BR07/8A12a

Fig. 3 1-zone electric heating with ETOG sensor



BR07/8A23a

Fig. 4 1-zone electric heating with ETOR/ETF sensor



BR07/8A24a

Fig. 5 2-zone electric heating (roof/ground)

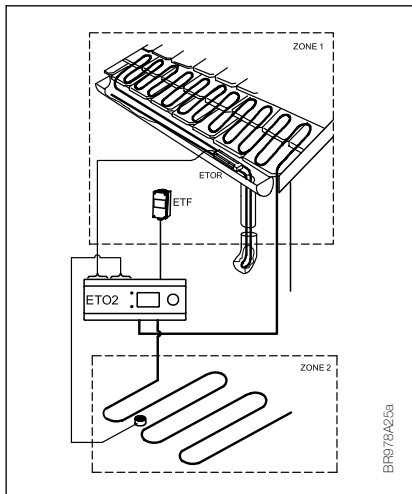


Fig. 6 ETOG connection

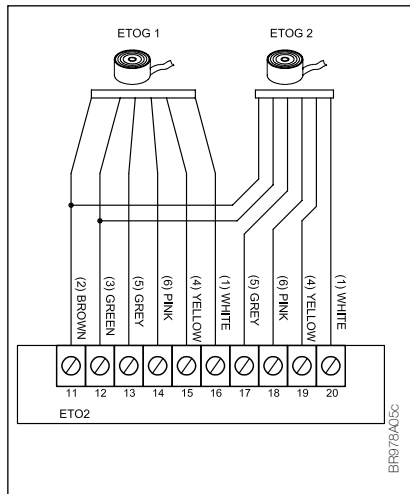


Fig. 7 ETOR connection

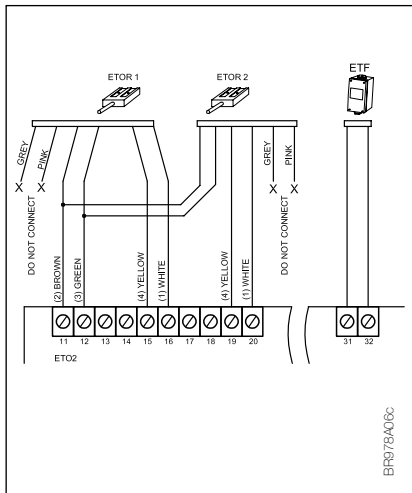


Fig. 8 Heating cable connection, example

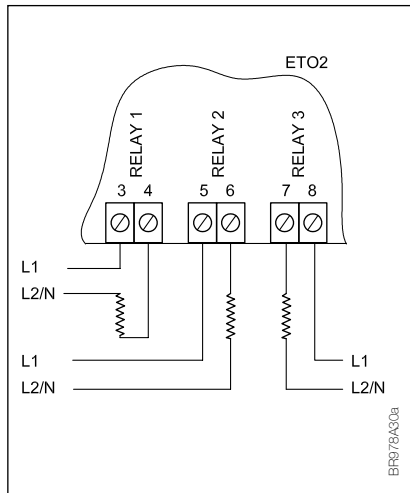


Fig. 9 Advanced 2-stage electric heating control (Y/Δ)

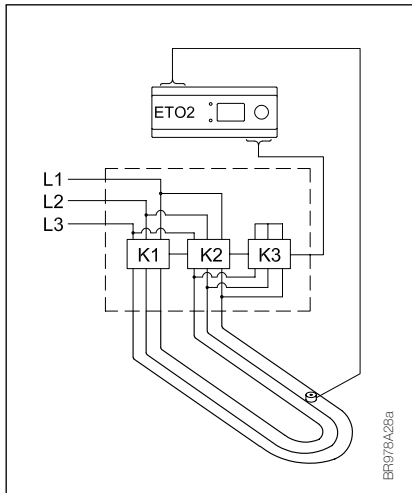


Fig. 10 Advanced 2-stage connection (Y/Δ)

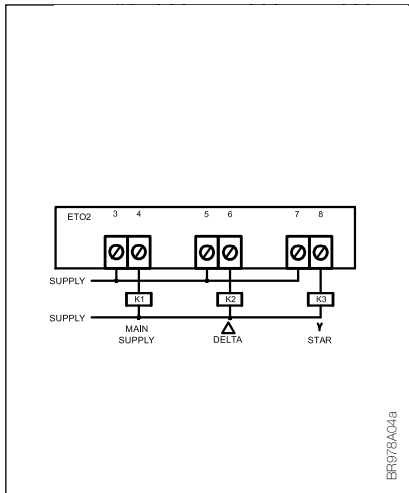


Fig. 11 1-zone hydronic heating control for controlling the supply water temp. with mixing valve

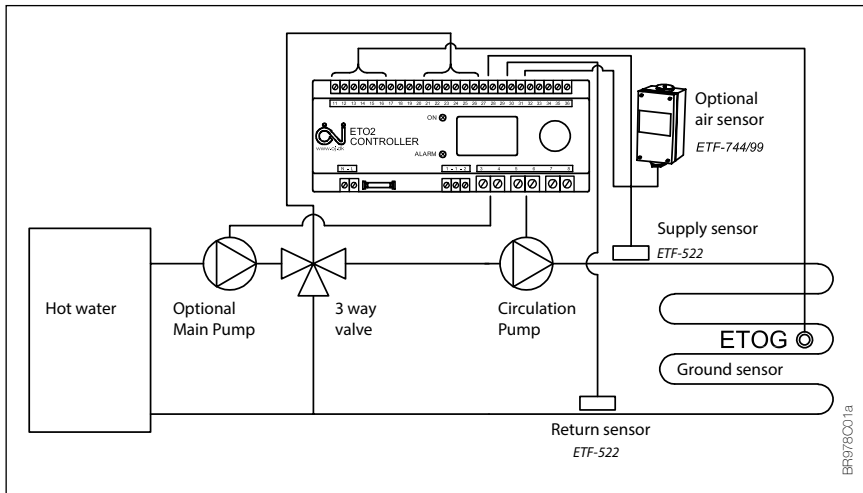
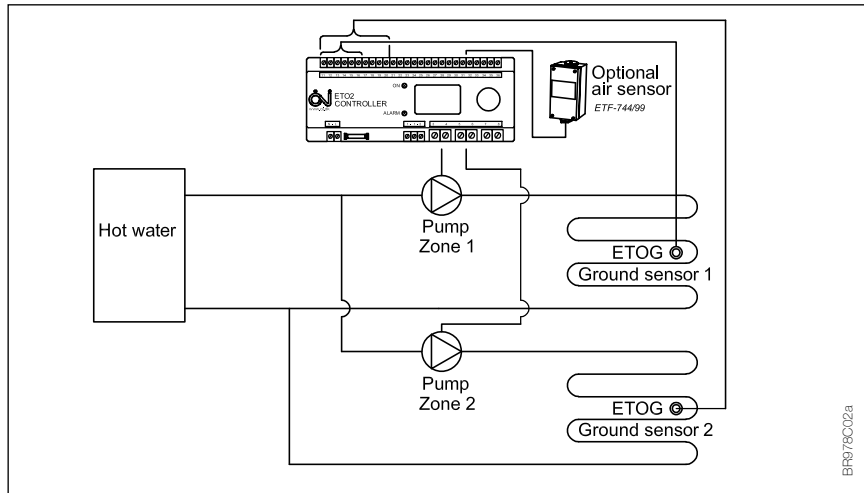
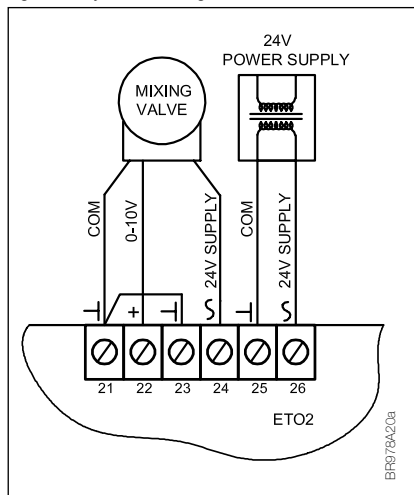


Fig. 12 1- or 2-zone hydronic heating control, simple (same application setup as 1- or 2-zone electric heating control)



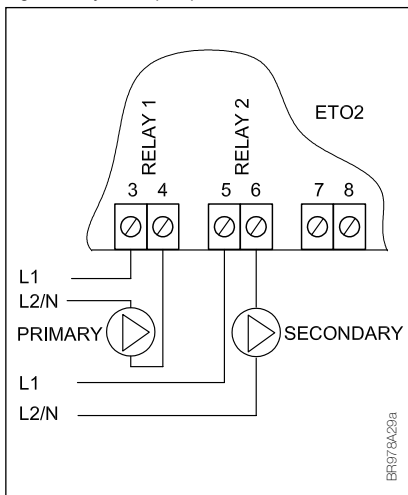
BR8780C2a

Fig. 13 Hydronic mixing valve connection



BR8780C20a

Fig. 14 Hydronic pump connection



BR8780C20a

Fig. 15 Connections for remote control of standby and forced heat

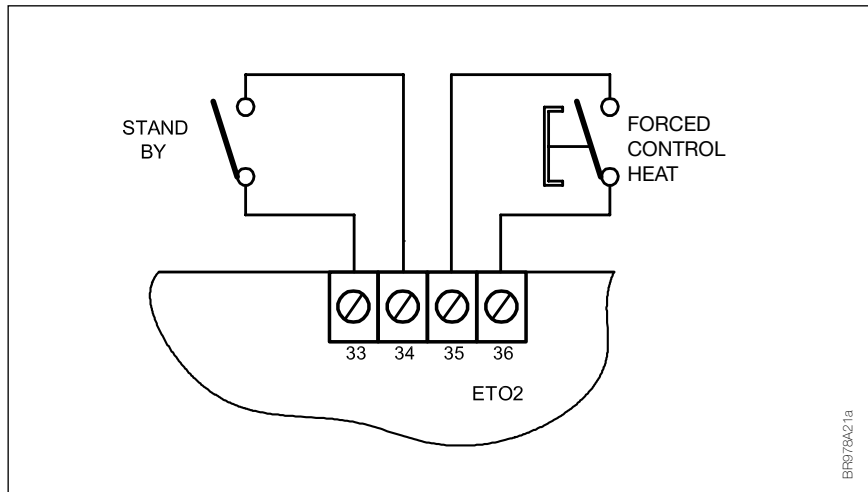
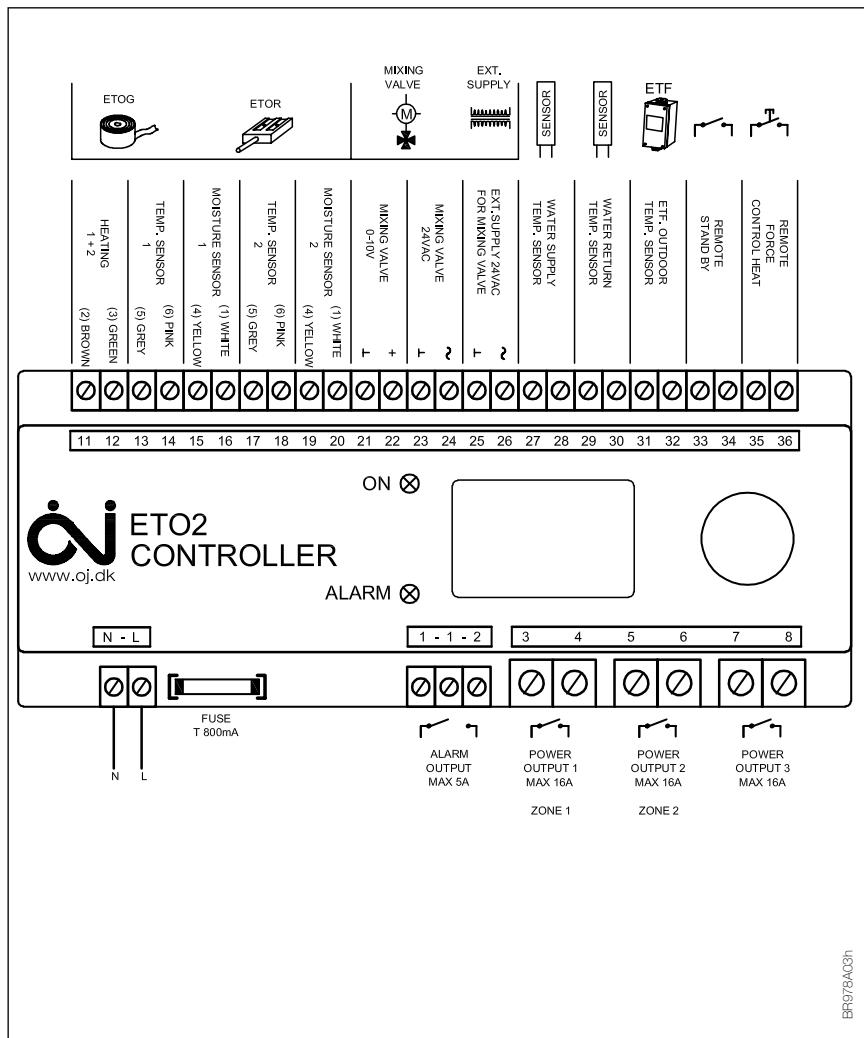


Fig. 16 ETO2 controller, terminal overview



BR1978A03fn





OJ ELECTRONICS A/S

Stenager 13B · DK-6400 Sønderborg

Tel. +45 73 12 13 14 · Fax +45 73 12 13 13

oj@ojelectronics.com · www.ojelectronics.com