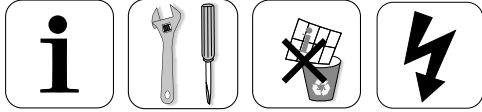


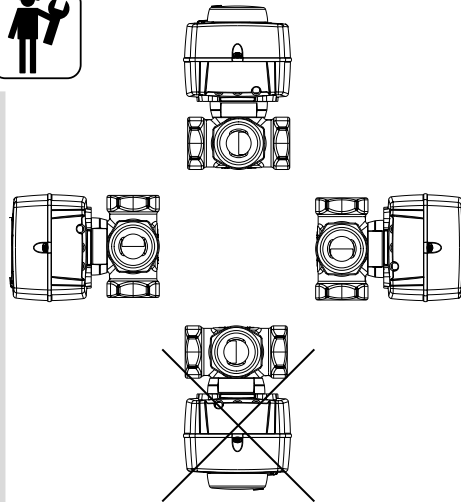
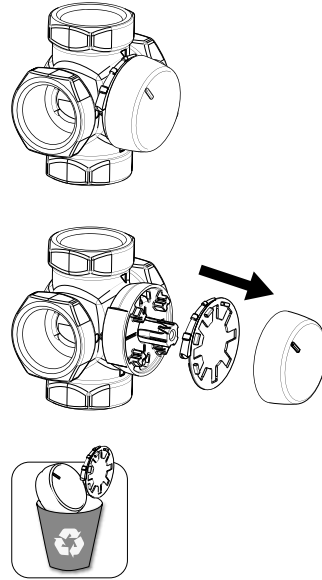
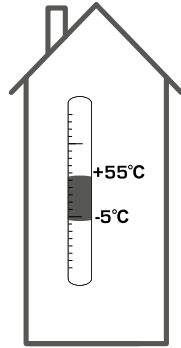
ESBE SERIES ARA600 Prop



Series ARA639
Series ARA659

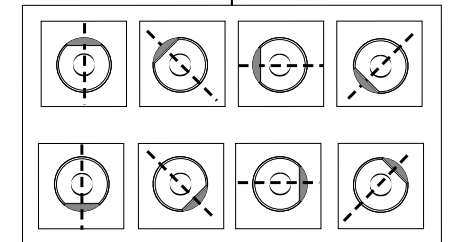
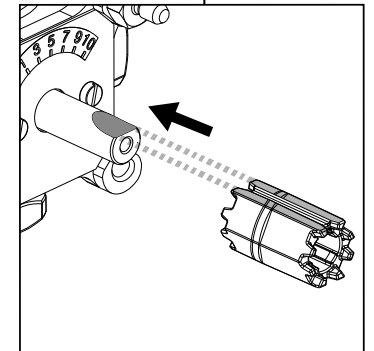
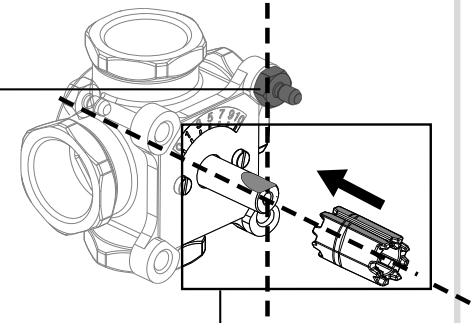


LVD 2014/35/EU
EMC 2014/30/EU
RoHS3 2015/863/EU



Series MG, G, F, H, HG, BIV, T, TM

	DN15-25	
	DN20-40	
	DN50	
	DN20-25	
	DN32-50	
	H: DN25	
	H: DN32-50	
	HG: DN25	
	DN20-22	
	DN25	
	T: DN20-32	
	TM: DN20	



VRG, VRB, VRH

3MG, 4MG



3G, 4G

3F, 4F ≤ DN50

3HG, 4HG, 3H, 4H



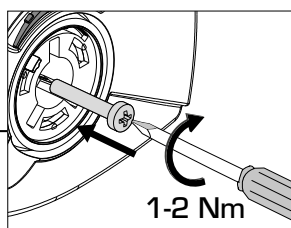
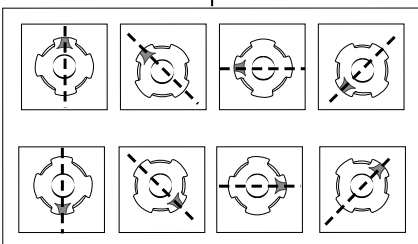
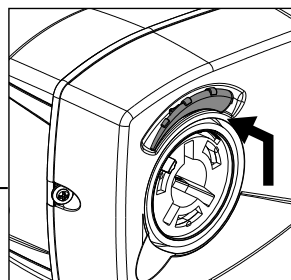
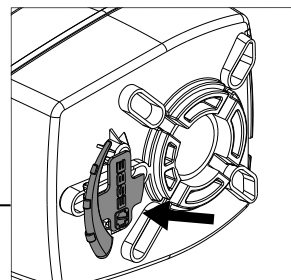
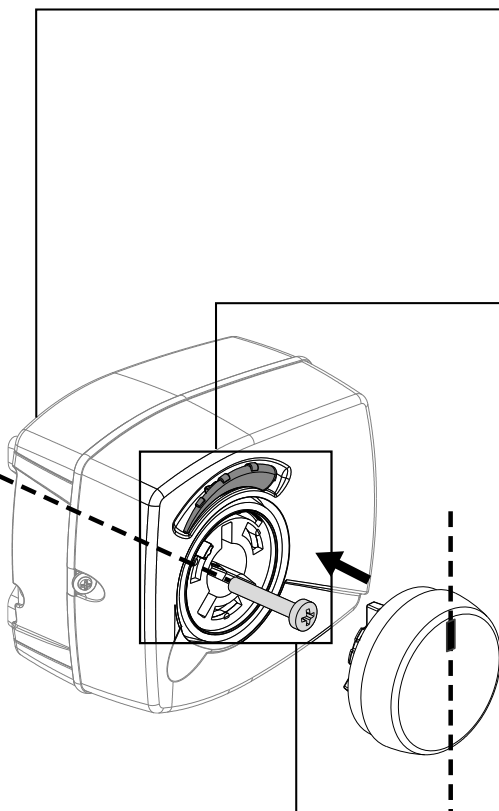
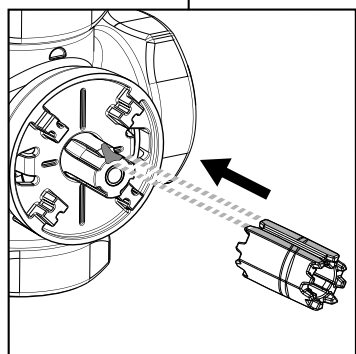
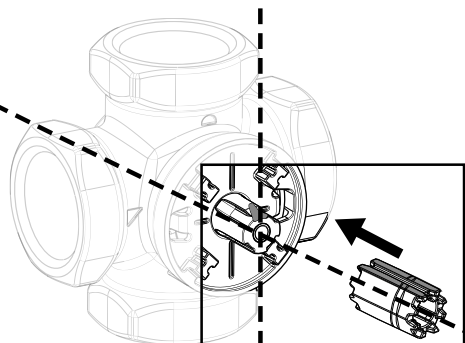
BIV

T, TM

VRC160

Series VRGxxx, VRBxxx, VRHxxx

Series VRCxxx



Mtr.lnr: 9814 02 76 • Rtn.lnr: 8082 Vers. M • Rev. 2021-10-28

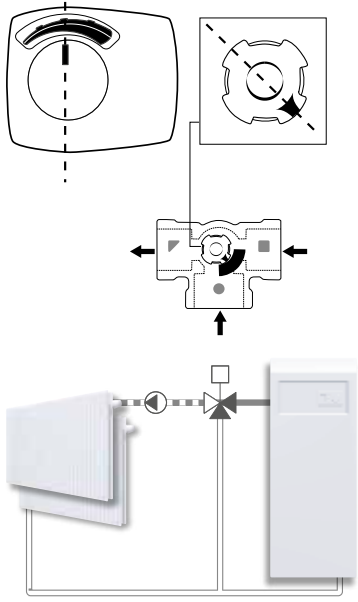


SERIES ARA600 Prop

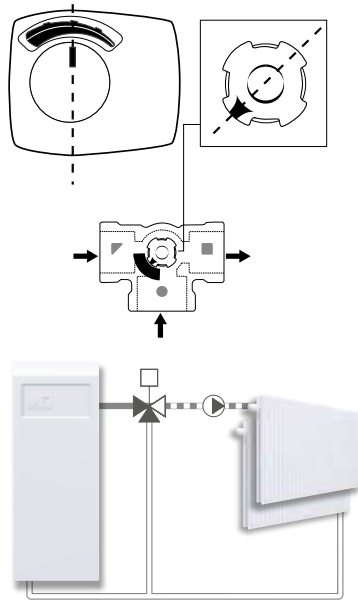


SERIES VRG130

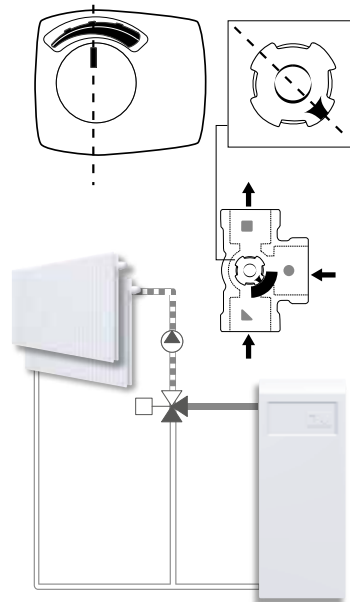
a



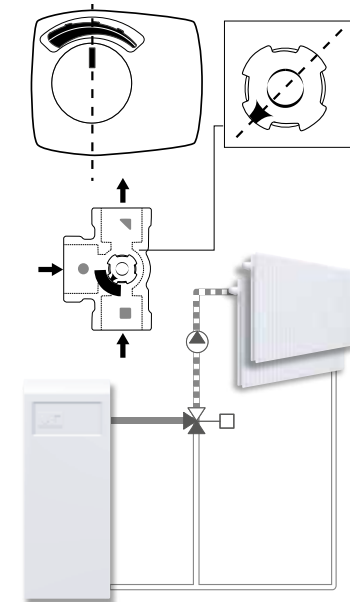
b



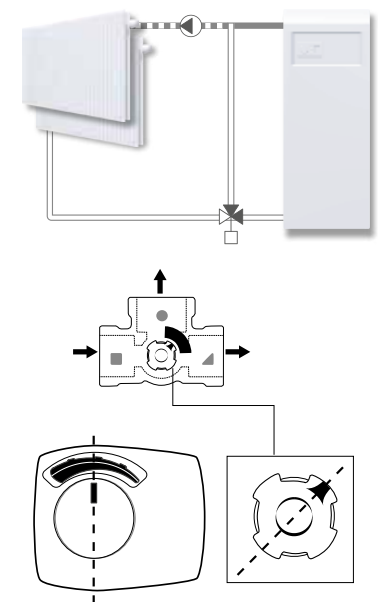
c



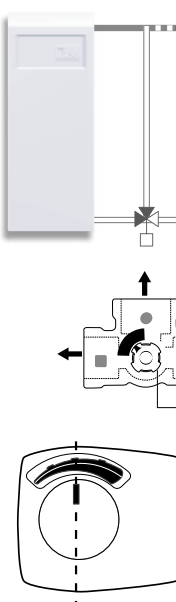
d



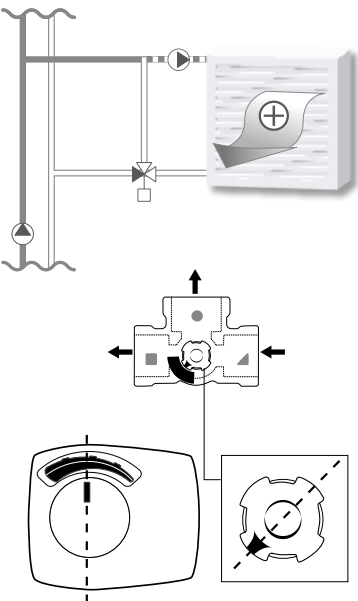
e



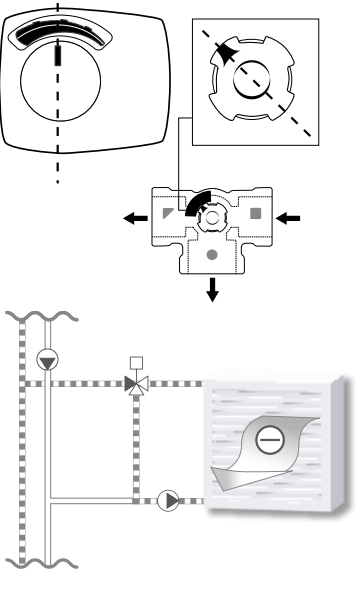
f



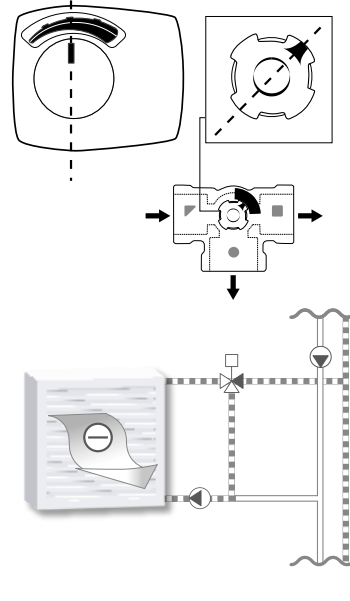
l



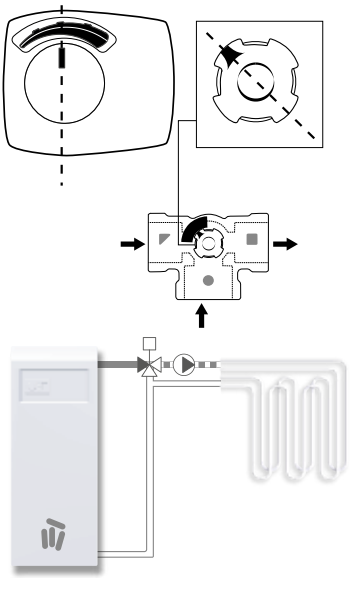
m



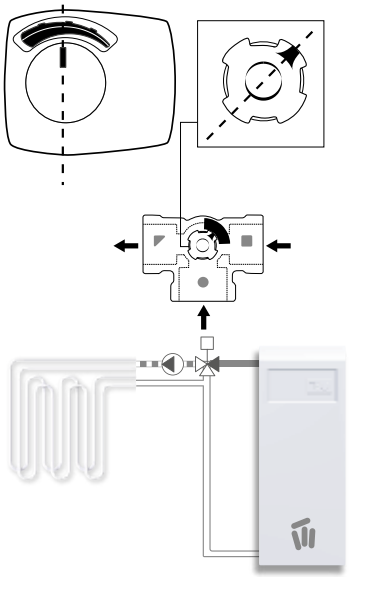
n



o

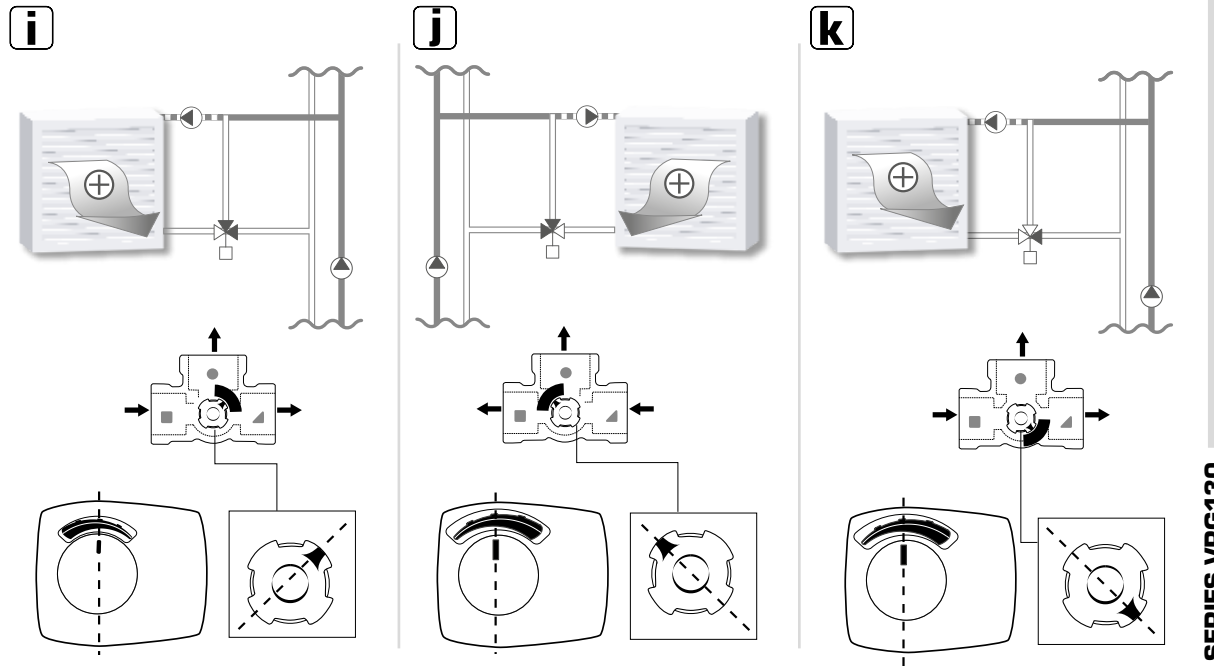
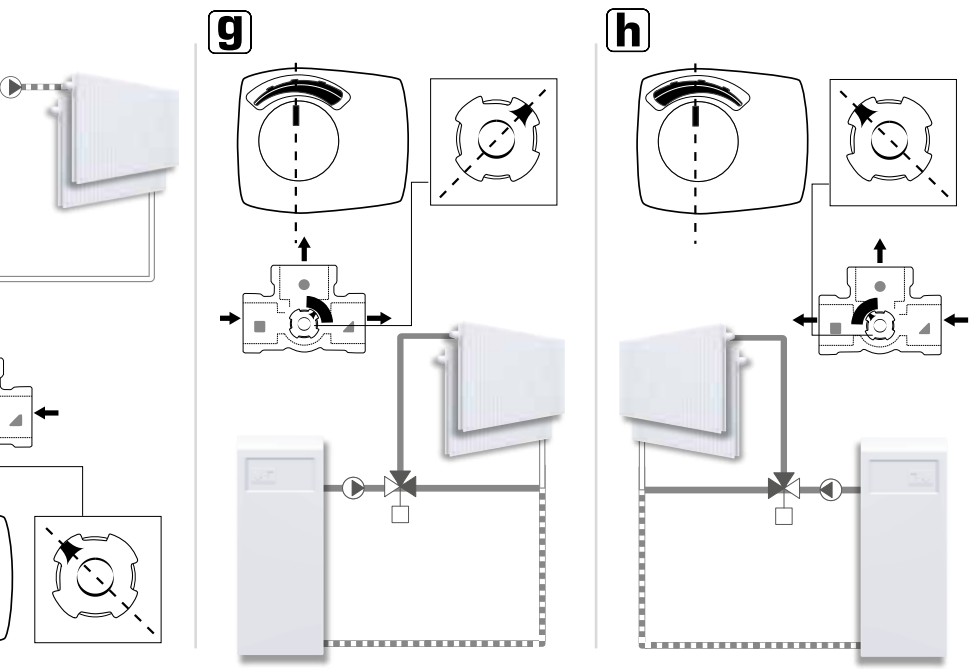


p



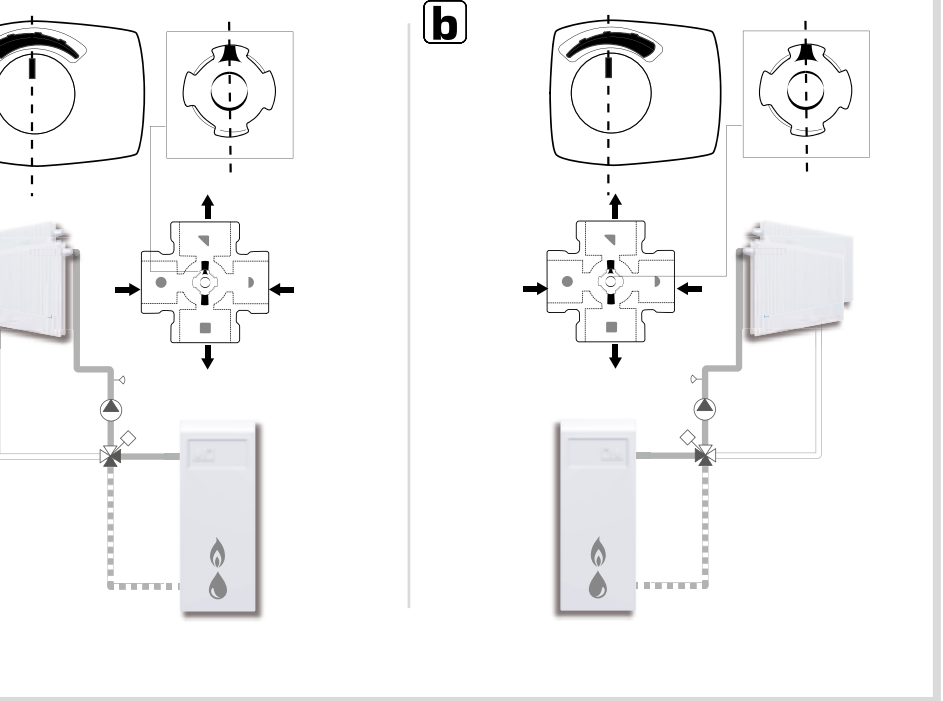
a



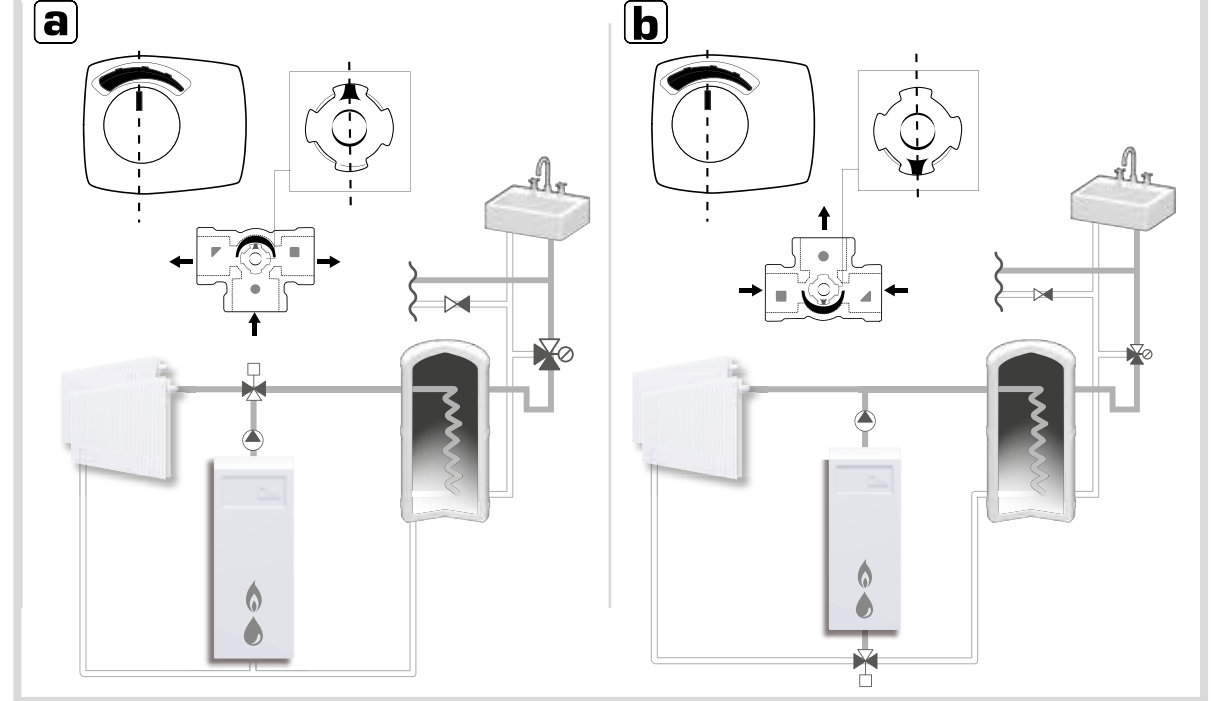


SERIES VRG130

SERIES VRG140

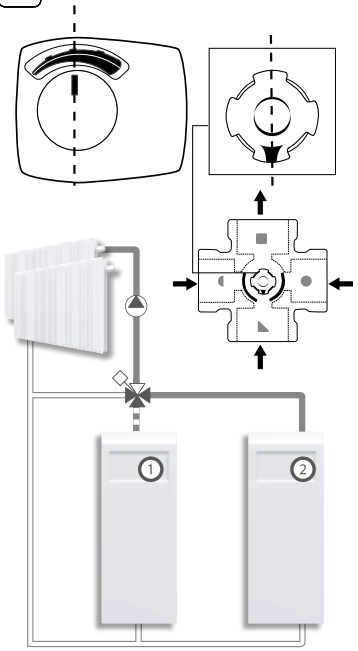


SERIES VRG230

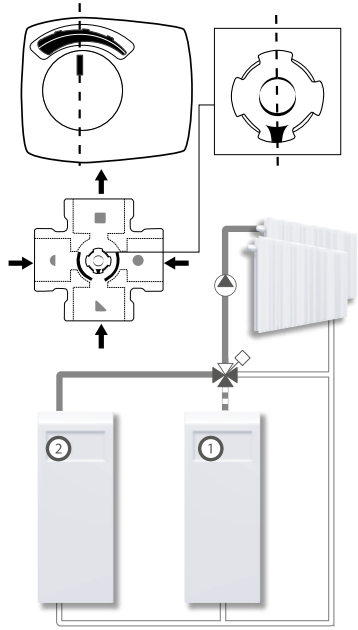


SERIES VRB140

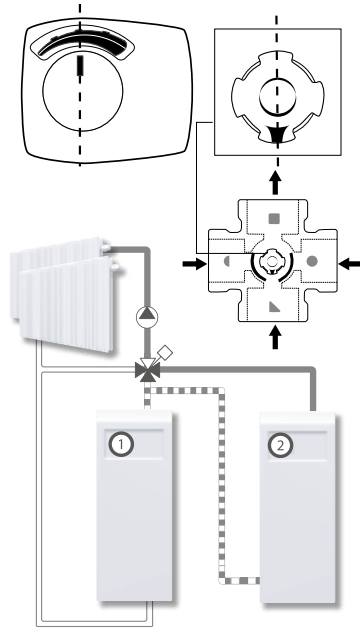
a



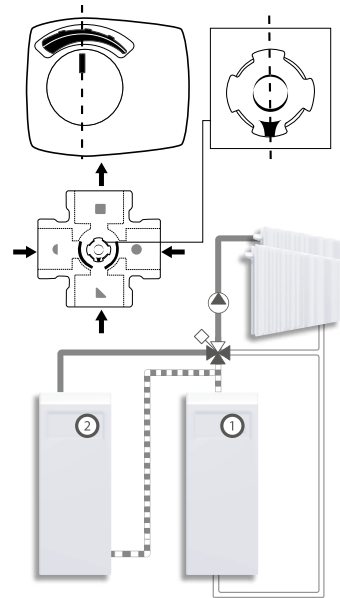
b



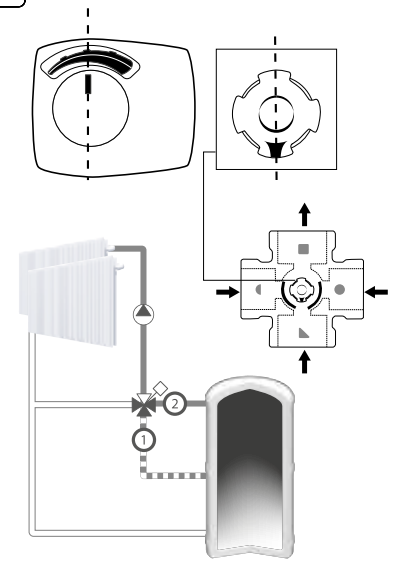
c



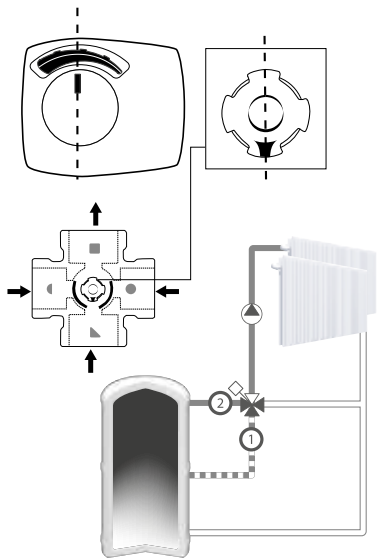
d



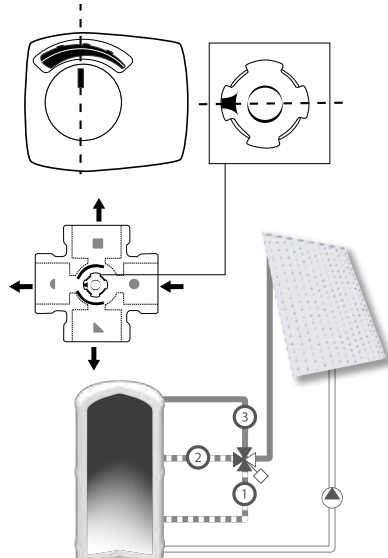
e



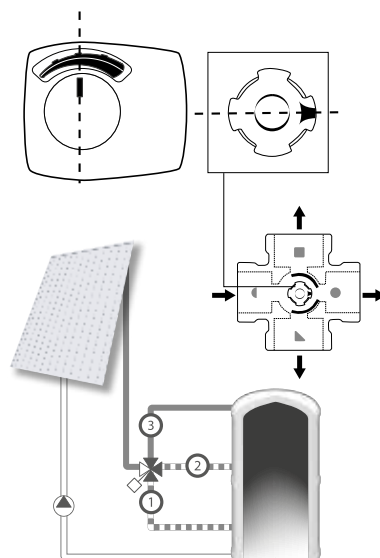
f



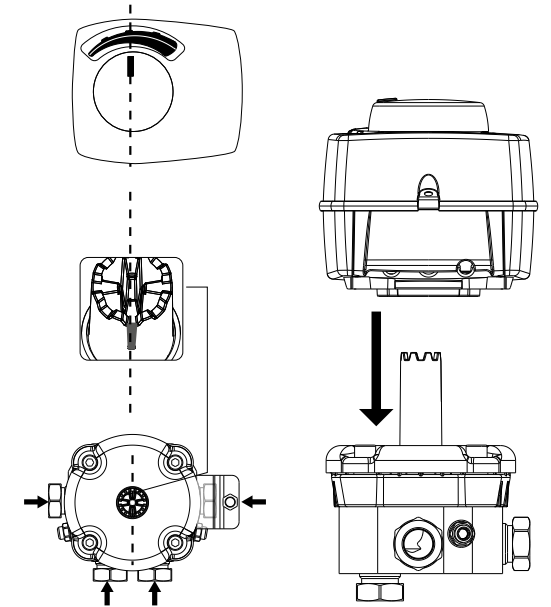
g



h

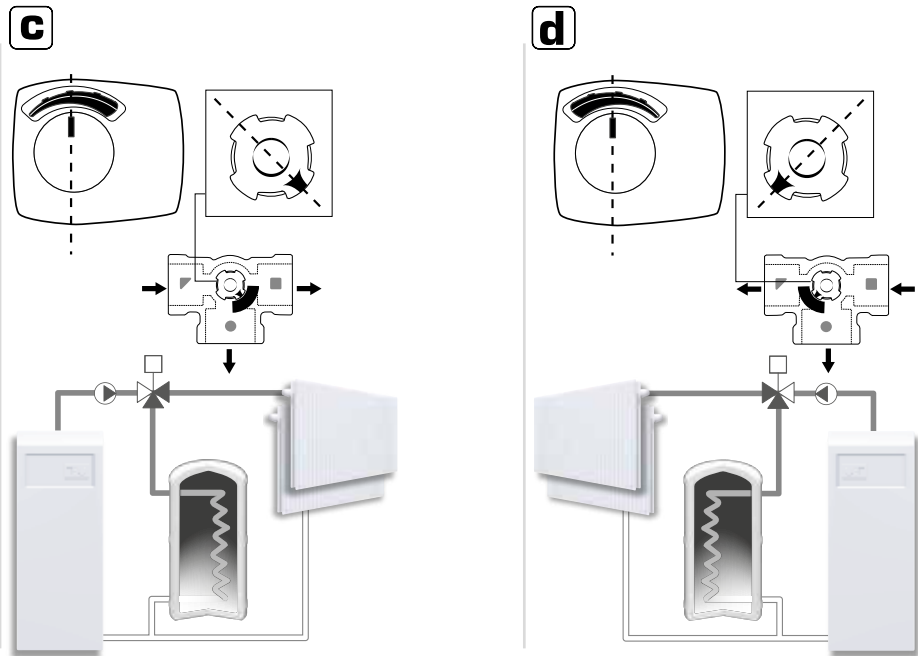
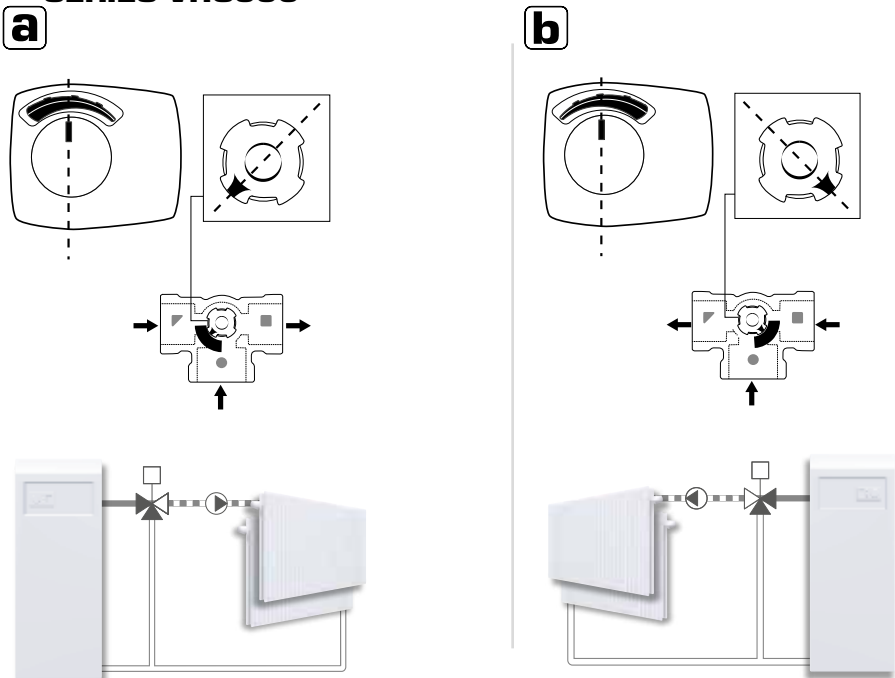


SERIES VRC160



Piping Schematics are General Representations

SERIES VRG330



We would like to pinpoint to the existence of a German patent DE 19821256C5 affecting the usage of bivalent 4-way valves in liquid circulation heating systems. In this patent the usage of a 4-way bivalent valve in a type of heating system is protected, in which 2 different heating circuits are operated in parallel, where the return of the first circuit is utilized as heat source for the second circuit. The patent holder is the company Vötsch Heiztechnik GmbH. The patent holder does not intend to utilize the floor heating in a regulated manner is heated through its heat source and the return from the primary heat circuit utilized as alternative secondary heat source for the floor heating. Such a utilization of our bivalent 4-way valve without approval of the patent holder is forbidden. All other applications our product group VRG are without restrictions possible.

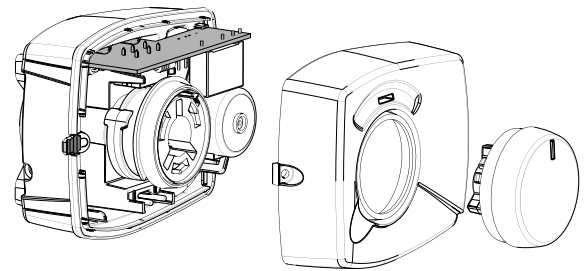
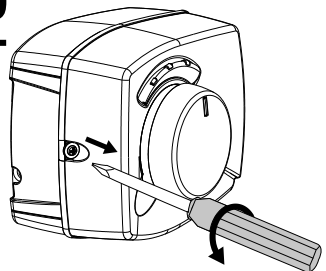
4



1



2





Series ARA639

3/U

3/I

4/U

ON

1	120s	60s	30s	15s
2	ON	ON	ON	ON
3	ON	ON	ON	ON
4	ON	ON	ON	ON

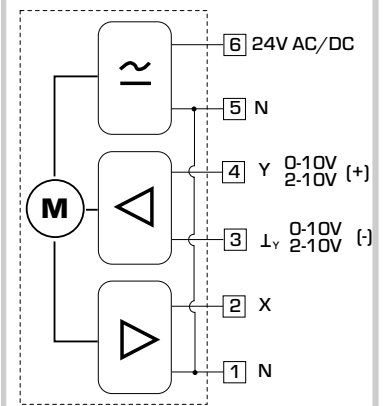
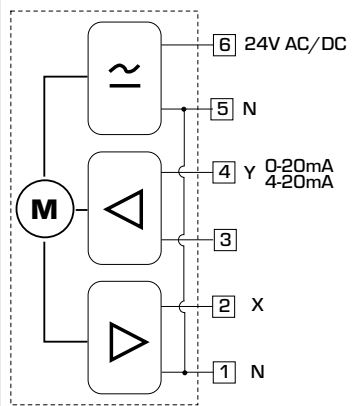
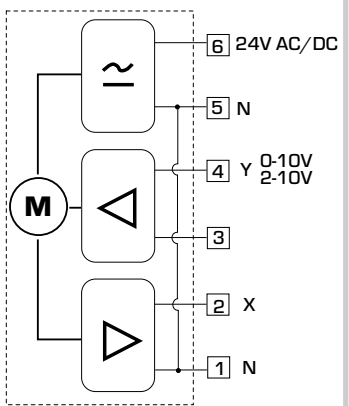
Y

0-10V	0-20mA	2-10V	4-20mA
ON	ON	ON	ON
3	3	3	3
4	4	4	4

ON

—	SEQ
CW	CCW
⚡	⚡

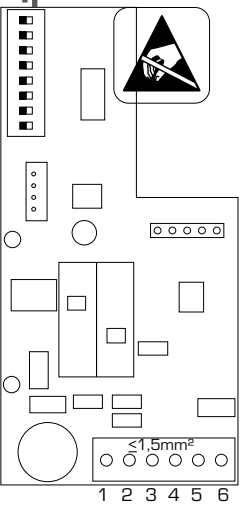
5 6 7 8



ON

1	120s	60s	30s
2	ON	ON	ON
3	OFF		
4	ON		
5	ON		
6	CW	CCW	
7	OFF		
8	OFF		

SEQ Cntrl



ON

1	120s	60s	30s	15s
2	ON	ON	ON	ON
3	ON	ON	ON	ON
4	ON	ON	ON	ON

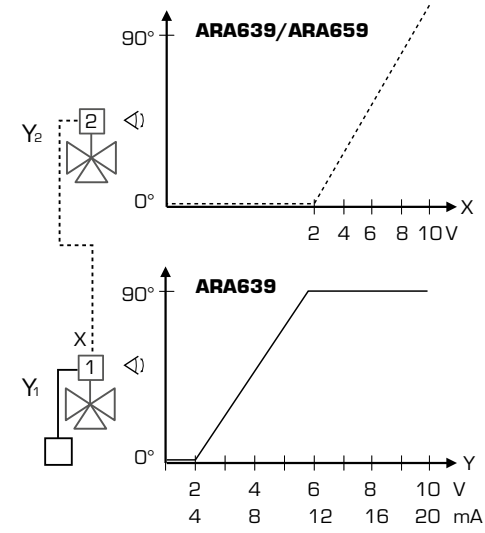
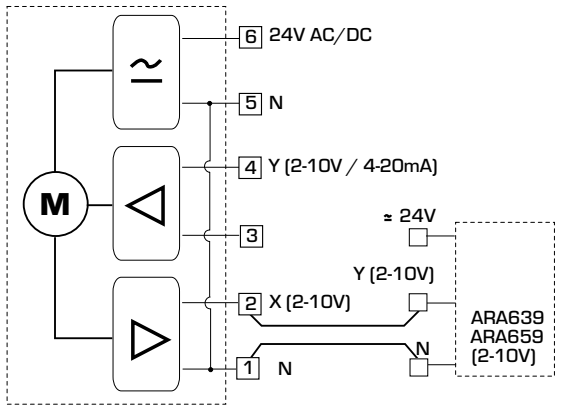
Y

2-10V	4-20mA
ON	ON
3	3
4	4

ON

—	SEQ
CW	CCW
⚡	⚡

5 6 7 8

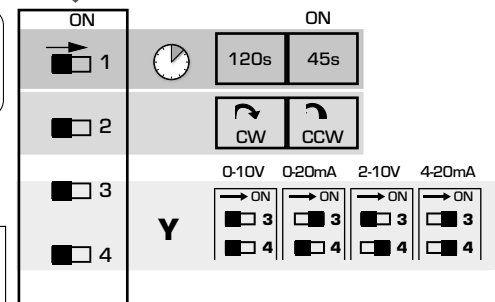
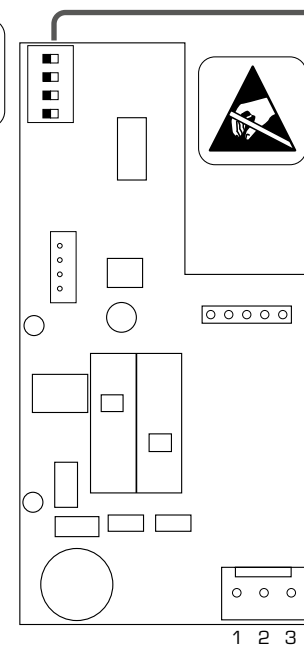
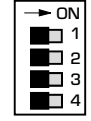
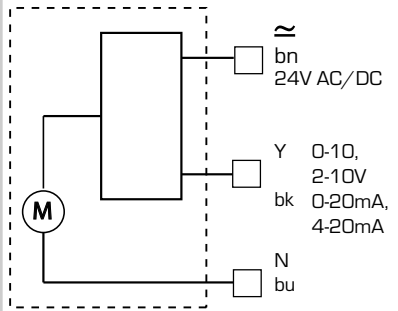
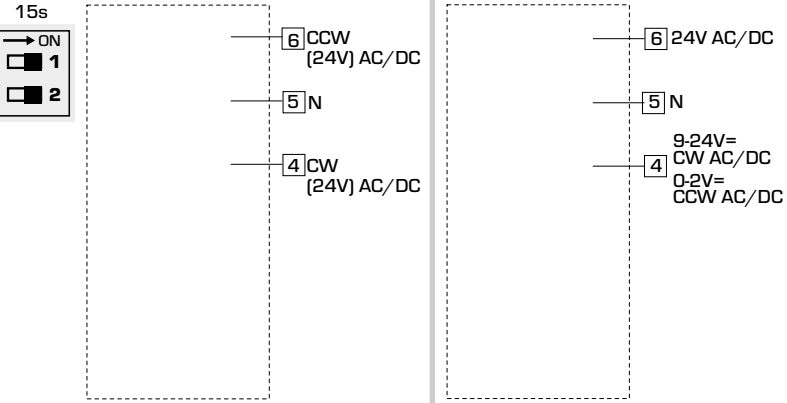


Series ARA659



3-point

2-point



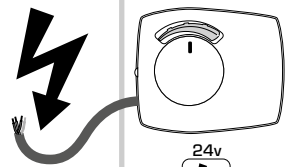
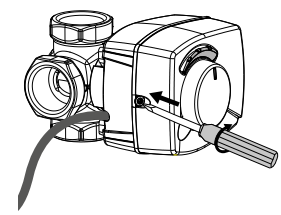
5



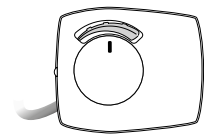
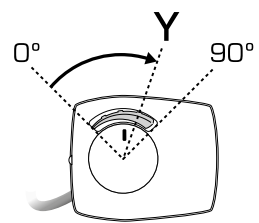
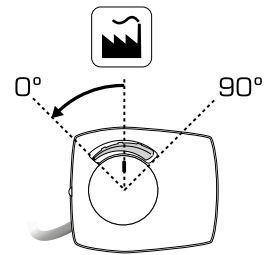
1

2

3



24v



2

1

