



SERIES 3F, 4F



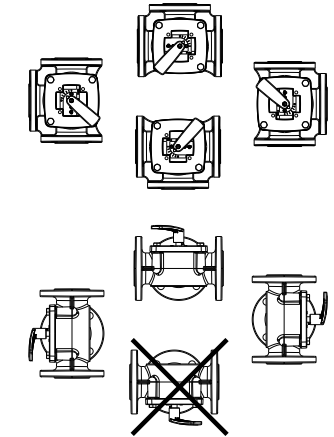
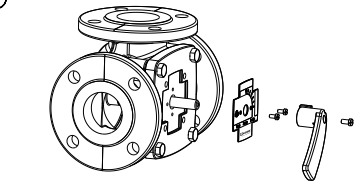
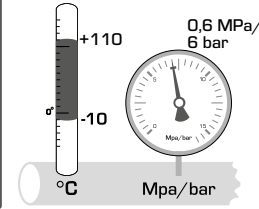
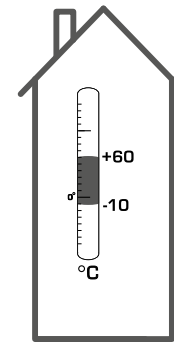
Mtrl.nr. 9814 10 22 • Ritn.nr. 9288 vers. B • Rev. 2020 10



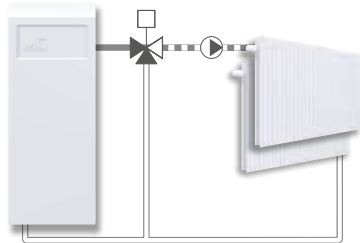
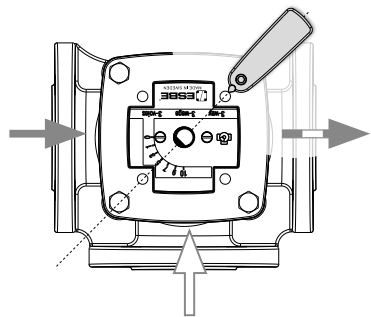
Series 3F, 4F

CE

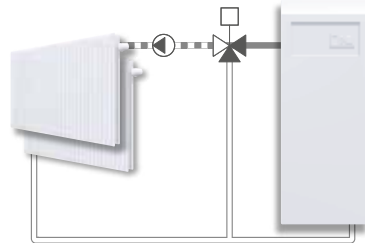
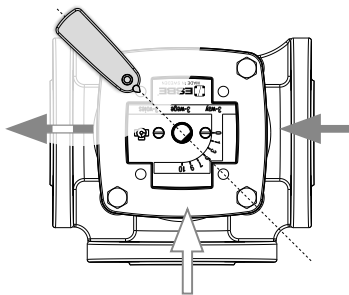
PED 2014/68/EU, article 4.3



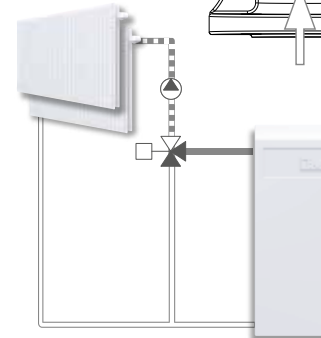
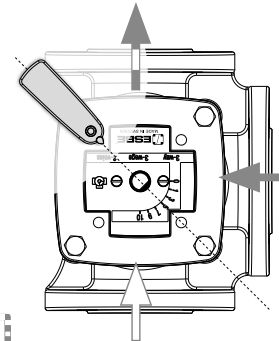
1a



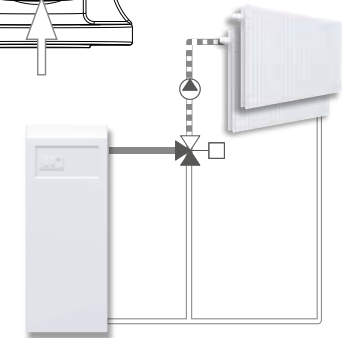
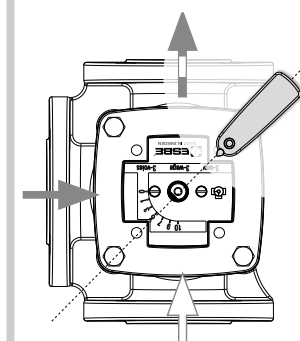
1b

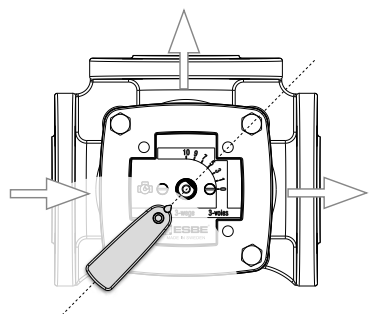
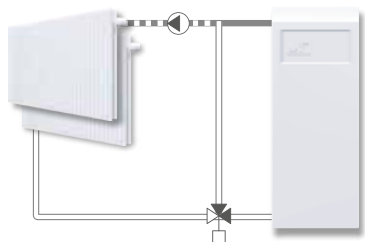
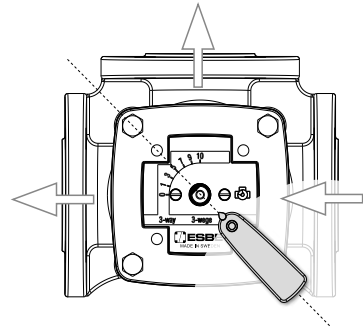
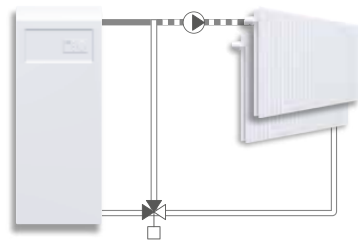
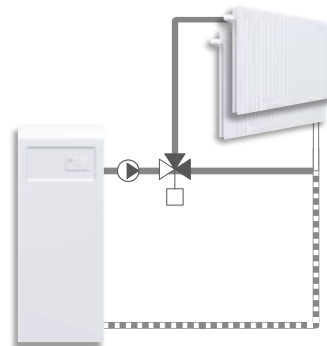
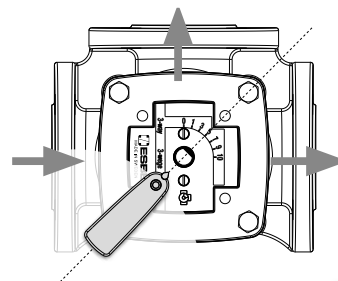
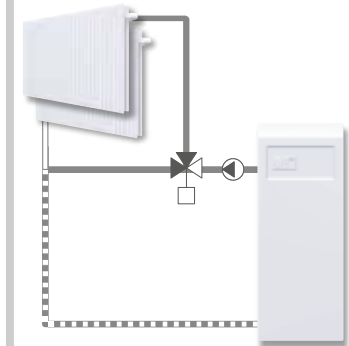
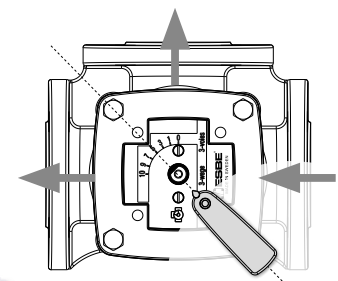
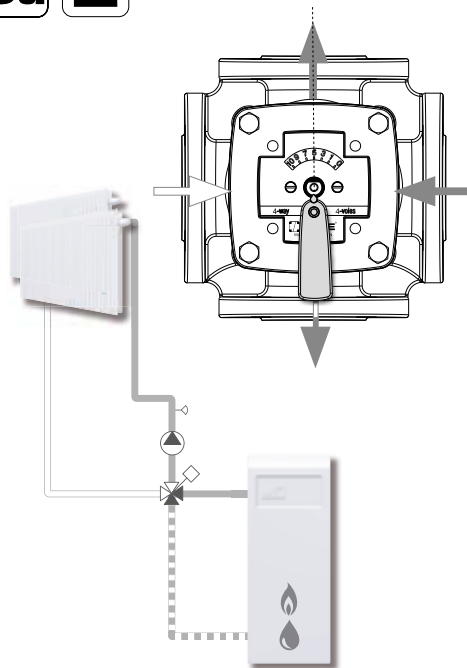
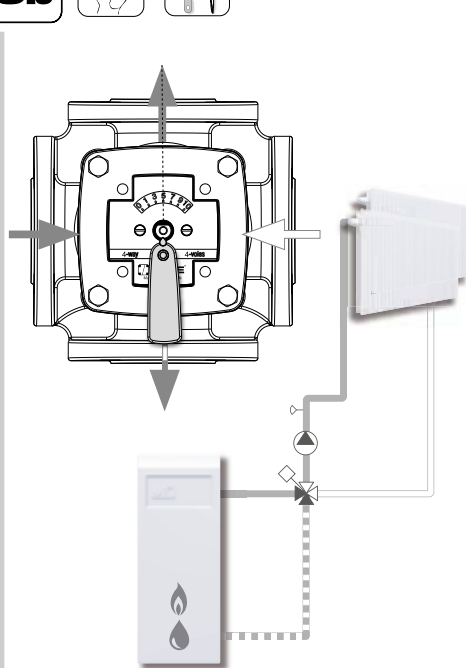
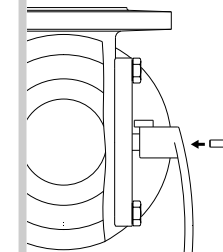
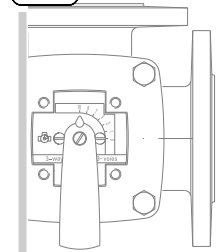


2a



2b



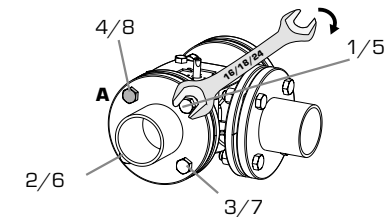
3a**3b****4a****4b****5a****5b****6****i****i**

16/18/24

DN	1-4	5-8	A
20			4x11,5
25			4x11,5
32	30 Nm	60 Nm	4x15
40			4x15
50			4x15
65			4x15
80	60 Nm	120 Nm	4x18
100			4x18



DN	1-8	9-16	B
125	60 Nm	120 Nm	8x18
150			8x18

DN20-DN100**DN125-DN150**