



Braukmann V4250

Alwa Sampling Valve with Handwheel
 Sampling valve for chemical and microbiological parameters

APPLICATION

Sampling valve for chemical and microbiological parameters in drinking, bathing and swimming pool water.

Suppliers of drinking water for public use have to commission annual investigations of water to prevent Legionella occurrence according to German regulations TrinkwV §§4, 14 (6) and 19 (7) and Appendix 4.

There are defined sampling locations for the determination of drinking water system contamination by Legionella.

SPECIAL FEATURES


- May be retrofitted to any Alwa F/KFR/R fittings from DN15 to DN80
- Valve body and outlet bend may be rotated through 360° and hence may be aligned in any direction
- Outlet volume may be regulated and the valve may be shut-off by means of an allen key
- Certificate regarding suitability for sampling in accordance with VDI 6023 and German water regulations
- Correct sampling procedure possible
- A sampling valve for all types of sampling
- All parameters to be determined may be taken at one point
- Horizontal and vertical mounting possible
- Sampling equipment is simple to operate and may be flame sterilised
- Stable, long, stainless steel outlet bend generates a straight water jet
- Valve body and parts in contact with the medium in red bronze
- High-quality, hygienic EPDM seat seal with German health ministry plastics and water approval



TECHNICAL DATA

Media	
Medium:	The sampling valve was developed for usage in cold or hot drinking water systems, swimming pools and bathing water systems. The sampling valve should be used for investigation of Legionella contamination at determined locations in potable water systems.
Pressure values	
Nominal pressure:	PN16
Operating temperatures	
Max. operating temperature medium:	90°C

CONSTRUCTION

Overview	Components	Materials
	1 Handwheel	Plastic
	2 Housing	Red bronze
	3 Outlet pipe	Stainless steel
	Not depicted components:	
	Piston	Red bronze
	Nut	Dezincification-resistant brass
	Sleeve nut	Dezincification-resistant brass
Protection cap	Plastic	
Gaskets	EPDM	

METHOD OF OPERATION

Operators who supply drinking water to the public must commission tests for legionella once a year.

There are often no suitable sampling valves in the drinking watersystem, so that sampling takes an unnecessarily long time and cannot always be carried out correctly.

The sampling valve may be fitted horizontally or vertically on any Alwa F/KFR/R fitting with a drain plug.

A flame is applied around the fitting to disinfect the stainless steel outlet pipe. The sampling valve can be regulated and the flow volume regulated with an allen spanner.

The sample is taken beneath the installation. Splashing is minimised by the form of the outlet pipe.

The stainless steel outlet tube can be swung out of the operating area to either side.

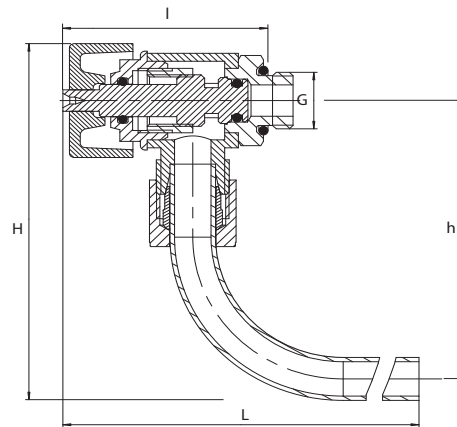
INSTALLATION GUIDELINES

Setup requirements

- Positioning of the sampling location must be determined by the person carrying out sampling. The defined positions must be identified in the plan for sampling locations in drinking water systems.
- The sampling valve can be installed horizontally or vertically to any valve with testing lobes.
- Insure the piping system is pressure-free before installing the sampling valve
- The valve housing is only tightened at closed position due to possibility to align valve to right position during installation.
- Please check for closed condition after installing.

DIMENSIONS

Overview



Parameter		Values	
Connection size:	DN	6	10
Dimensions:	G	1/4"	3/8"
	L	153.5	153.5
	l	44	44
	H	82.8	82.8
	h	64.8	64.8

Note: All dimensions in mm unless stated otherwise.

ORDERING INFORMATION

The following tables contain all the information you need to make an order of an item of your choice. When ordering, please always state the type, the ordering or the part number.

Options

The valve is available in the following sizes: DN6 and DN10

- standard
- not available

		V4250A008P	V4250A010P
Connection type:	Sampling valve with handwheel, connection size G 1/4 for building valves up to DN25	•	-
	Sampling valve with handwheel, connection size G 3/8 for building valves from DN32 to DN80	-	•



Manufactured for
and on behalf of
Pittway Sàrl, Z.A., La Pièce 4,
1180 Rolle, Switzerland

For more information
homecomfort.resideo.com/europe
Ademco 1 GmbH, Hardhofweg 40,
74821 MOSBACH, GERMANY
Phone: +49 6261 810
Fax: +49 6261 81309