



T100MZ

Remote setting unit

APPLICATION

A Radiator Thermostat is installed onto a Thermostatic Radiator Valve Body (TRV body). The combination of both, the Thermostatic Radiator Valve (TRV), controls the room temperature by adjusting the flow of hot water through a radiator.

The temperature of different rooms is controlled individually and energy is saved.

TRVs are installed in water-based heating systems on the supply or, less commonly on the return connection of radiators.

With specially designed (normally closed) valves, thermostats are sometimes also used in water-based cooling systems to control individual cooling circuits.

Thermostats of this type are particularly suitable for underfloor convectors and enclosed radiators.

Honeywell Home radiator thermostats with Honeywell Home (HW) M30 x 1.5 connection are suitable for all TRV body and radiator inserts with M30 x 1.5 connection and 11.5 mm closing dimension.

FEATURES

- Over temperature protection
- Liquid-filled sensing element

SPECIFICATIONS

Thermostat connection:	M30 x 1.5
Setpoint range:	* - 1 - 5
Temperature range:	9 - 26 °C (48 - 79 °F)
Closing dimension:	11.5 mm
Spec. stroke:	0.22

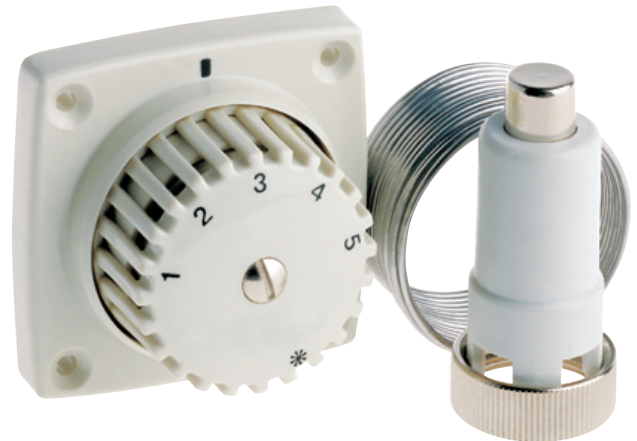
DESIGN

The radiator thermostat consists of:

- Handwheel with socket for wall-mounting
- External liquid-filled sensor with capillary tube
- Spindle assembly

MATERIALS

- Handwheel, socket and sensor housing made of white plastic
- Support cage and spindle assembly made of plastic
- Connection nut made of nickel-plated brass



FUNCTION

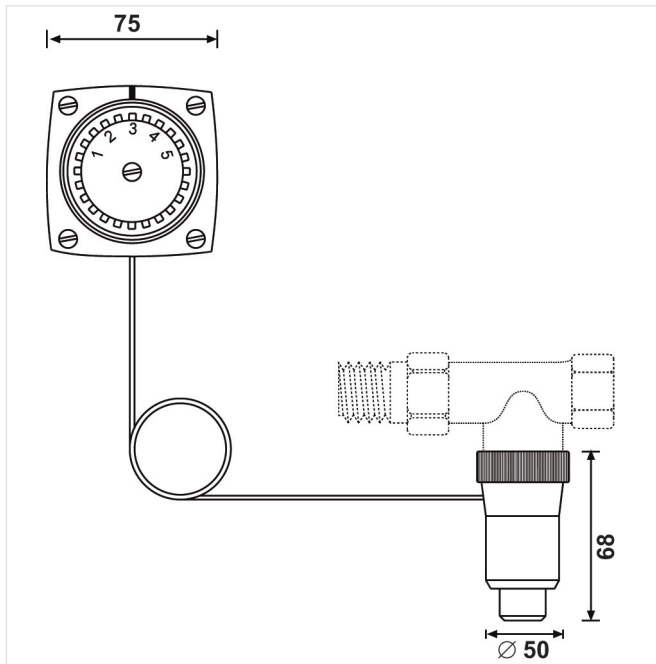
Thermostatic radiator valves enable individual control of room temperature and thus save energy.

The radiator thermostat controls the TRV body. Air from the room passing over the sensor of the radiator thermostat causes the sensor to expand when the temperature rises.

The sensor acts onto the valve spindle and this causes the TRV body to close. When the temperature falls the sensor contracts and the spring-loaded valve spindle is opened.

The TRV opens in proportion to the temperature of the sensor. Only the amount of water required to maintain the room temperature set on the radiator thermostat can flow into the radiator.

DIMENSIONS



OPTIONS

T100MZ-2512	Capillary tube 2 m length
T100MZ-2515	Capillary tube 5 m length

Please note:

- To avoid stone deposit and corrosion the composition of the medium should conform with VDI-Guideline 2035
- Additives have to be suitable for EPDM sealings
- System has to be flushed thoroughly before initial operation with all valves fully open
- Any complaints or costs resulting from non-compliance with above rules will not be accepted by Honeywell Home
- Please contact us if you should have any special requirements or needs

	T100MZ	EN 215 requirements
Min. setpoint temperature(*-position)	9 °C (48 °F)	5 - 12 °C (41 - 54 °F)
Max. setpoint temperature	26 °C (79 °C)	£ 32 °C (90 °F)
Hysteresis	0.4 K	£ 1.0 K
Influence of differential pressure	0.4 K	£ 1.0 K
Influence of heating medium	0.3 K	£ 1.5 K
Response time	25 min.	£ 40 min.

ORDERING INFORMATION

Type/Version	closed	Temperature °C (°F)						Capillary tube length	OS-No.
		9 (48)	16 (61)	18 (64)	20 (68)	23 (73)	26 (79)		
T100MZ	d	1	2	3	4	5	2 m	T100MZ-2512	
	d	1	2	3	4	5	5 m	T100MZ-2515	

Note: Fixed settings other than 20 °C (68 °F) can be supplied on request. Please indicate required setting when ordering.

For more information

homecomfort.resideo.com/europe



Ademco 1 GmbH
 Hardhofweg 40
 74821 MOSBACH
 GERMANY
 Phone: +49 6261 810
 Fax: +49 6261 81309

Manufactured for and on behalf of the
 Pittway Sàrl, La Pièce 4, 1180 Rolle, Switzerland
 by its Authorised Representative Ademco 1 GmbH
 EN0H-0215GE25 R0520

Subject to change

© 2020 Pittway Sàrl. All rights reserved.
 This document contains proprietary information of
 Pittway Sàrl and its affiliated companies and is
 protected by copyright and other international laws.
 Reproduction or improper use without specific
 written authorisation of Pittway Sàrl is strictly
 forbidden. The Honeywell Home trademark is used
 under license from Honeywell International Inc.



Strandvejen 42 ♦ Saksild ♦ 8300 Odder
 86 62 63 64 ♦ www.automatikcentret.dk
info@automatikcentret.dk

