



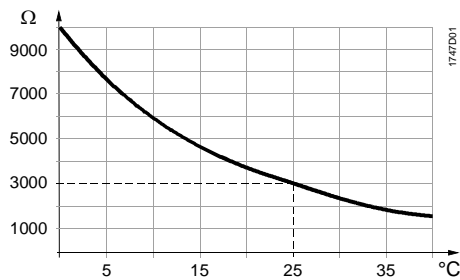
Room Temperature Sensor QAA32

NTC resistor sensing element

Use

In HVAC plants to acquire the room temperature.
 For use with controllers whose sensor signal input are not galvanically separated from the AC 230 V mains.

Functions



The sensor acquires the room temperature by means of its NTC resistor. The resistance value changes according to the ambient temperature. It is available for further handling by a suitable controller.

Type summary

Type reference	Description
QAA32	Room temperature sensor
ARG70	Adapter plate 120 x 120 mm for 4" x 4" conduit boxes
ARG70.1	Adapter plate 96 x 120 mm for 2" x 4" conduit boxes

Mechanical design

The units have been designed for wall mounting. They are suitable for use with most commercially available recessed conduit boxes. The cables can be introduced from the rear (concealed wiring).

Installation notes

Location	On a flat inner wall of the space to be heated or air conditioned. Not in recesses, shelves, not behind curtains, not opposite or near heat sources. The unit must not be exposed to direct solar radiation.
Notes	<ul style="list-style-type: none">• When installing the unit, fix the baseplate first, then hook on the body and make the electrical connections. Then fit the cover and secure it.• The end of the conduit at the sensor must be sealed to prevent false measurements due to draughts through the conduit.• The permissible environmental conditions should be observed.• Installation instructions are printed on the packing.

Disposal



The devices are considered electronics devices for disposal in terms of European Directive 2012/19/EU and may not be disposed of as domestic waste.

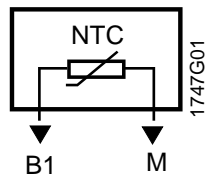
- Dispose of the device via the channels provided for this purpose.
- Comply with all local and currently applicable laws and regulations.

Technical data

General unit data	Operating range	0...40 °C
	Sensing element	NTC resistor, 3 kΩ at 25 °C
	Measuring tolerance at 25 °C	±0.3 K
	Time constant (with air movement)	approx. 6 min
Connection	Terminals for cross-sectional areas of	2 x 1.5 mm ² or 1 x 2.5 mm ²
Environmental conditions	Operation	to IEC 721-3-3
	Climatic conditions	class 3K5
	Temperature	0...50 °C
	Humidity	<85 % r. h.
	Pollution degree	normal, to EN 60730
	Transport	to IEC 721-3-2
	Climatic conditions	class 2K3
	Temperature	-25...+65 °C
Humidity	<95 % r. h.	
Degree of protection	Mechanical conditions	class 2M2
	Protection class	II according to EN 60730-1
	Protection degree of housing	IP30 according to EN 60529
Directive and Standards	Product standard	EN 60730-1
		Automatic electrical controls for household and similar use
	EU Conformity (CE)	CE1T1747X1 ^{*)}
Environmental compatibility	The product environmental declaration CE1E1701 ^{*)} contains data on environmentally compatible product design and assessments (RoHS compliance, materials composition, packaging, environmental benefit, disposal).	
Miscellaneous	Weight	approx. 0.1 kg
	Colour	white, NCS S 0502-G (RAL 9003)

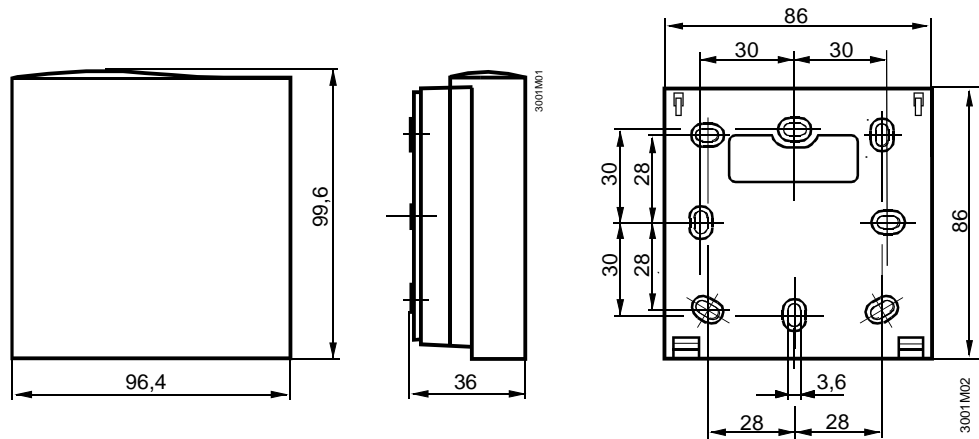
*) The documents can be downloaded from <http://siemens.com/bt/download>.

Internal diagram



Dimensions

Unit and Baseplate



Strandvejen 42 • Saksild • 8300 Odder
86 62 63 64 • www.automatikcentret.dk
info@automatikcentret.dk

©2000 – 2014 Siemens Switzerland Ltd.

Subject to change

3/3