



THERMOSTATS FOR COMFORT HEATING

Thermostat with Setback Mode

Recommended for control of underfloor heating and electrical heating.

- Flush mounting in a standard wall socket.
- With built-in interrupter for convenient switching off at airing the room and at summer times.
- On/off control up to 3,600 W, 16 A.
- With graduated scale, making it easy to set the required floor or room temperature. If required the scale can be adjusted and furthermore limited for max. or min. temperature.
- Built-in setback mode for automatic comfort and setback temperature via remote timer.
- Electronic thermostat for accurate temperature regulation ensuring a high comfort of the floor surface or the room temperature.

Elegant European Design

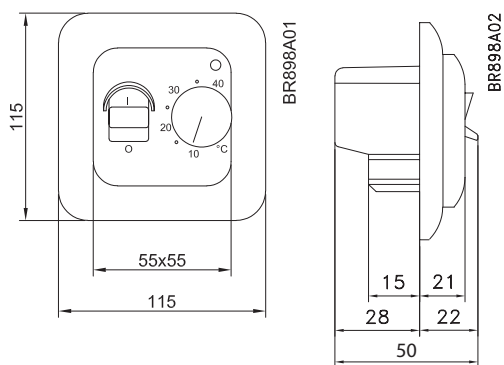
Can be mounted in combination with various types of light switches.

PRODUCT PROGRAMME

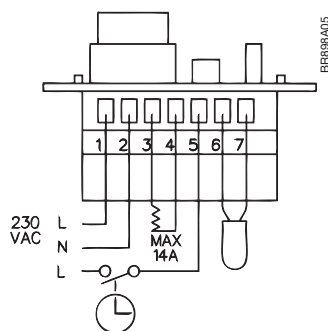
TYPE	PRODUCT
OTN-1991H11	Thermostat IP21 with setback mode 5 °C incl. floor sensor 3 m Remote room sensor can be mounted
OTN-1999H	Thermostat with setback mode 5 °C with built-in room sensor

ACCESSORIES

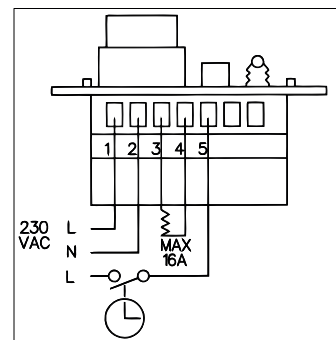
ETF-944/99-H	Remote room sensor for surface wall mounting
OTN-VH	Baseplate for surface wall mounting
ACC-001	Backing plate 86x86 mm for large wall sockets (10 pcs.)
MM-7595	Electronic day/week timer for DIN-rail



Dimensions (mm)



Connections OTN-1991H11



Connections OTN-1999H



Thermostat control

Type OTN is an electronic on/off thermostat with control of temperature by means of an NTC sensor. The heat output is switched on and off with a differential of only 0.4 °C. Red LED indicates when heating is on.

Temperature setback

Type OTN with setback mode 5 °C which is activated with a day/week timer, e.g. MM-7595. The timer is programmed with the required comfort and setback periods.

Housing IP21

Type OTN-1991H11 can be mounted in bathrooms and other humid rooms.

Adjustment of the thermostat

Temperature range +5/+40 °C for easy setting of required temperature. With the locking rings behind the thermostat button the min./max. temperature setting can be selected.



TECHNICAL DATA

Supply voltage	230 V +10/-15 % 50/60 Hz
Output relay	OTN-1991H11: 14 A, max. 3,200 W OTN-1999H: 16 A, Max. 3,600 W
Built-in interrupter	1-pole
Temperature range	+5/+40 °C
Setback mode	5 °C (via remote timer)
On/off differential	0.4 °C
Housing	OTN-1991H11: IP21 OTN-1999H: IP20
Ambient temperature	0/+50°C
Dimensions (H/W/D)	80/80/50 mm
Sensor type	NTC
Heating is switched off in case of sensor failure	

OJ Thermostat program includes

- Thermostats for flush mounting
- Thermostats for wall mounting
- Thermostats for DIN-rail mounting
- Thermostats for snow melting and frost protection
- Triac thermostat and controllers from 1-44 kW
- Thermostats adjusted to the individual market's needs for design, approvals and standards for electrical material