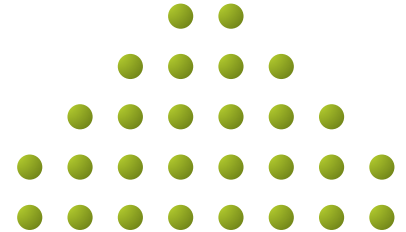


OJ Microline®

MTC/MTD**AutomatikCentret**

Strandvejen 42 • Saksild • 8300 Odder
 86 62 63 64 • www.automatikcentret.dk
info@automatikcentret.dk



Scale in °F



Scale in °C

THERMOSTATS FOR UNDERFLOOR HEATING

Manual Thermostat

Recommended for control of underfloor heating and electrical heating.

- Flush mounting in a standard wall socket.
- With built-in 2-pole interrupter for convenient switching off.
- On/off control up to 16A.
- With graduated scale, making it easy to set the required floor or room temperature. If required the scale can be adjusted and furthermore limited for max. or min. temperature.
- Electronic thermostat for accurate temperature control ensuring a high comfort of the floor surface or the room temperature.
- Type MTD: With limitation sensor for optimal comfort avoiding cold tiles during spring and autumn, or as protection against damaging wooden floors.

PRODUCT PROGRAM

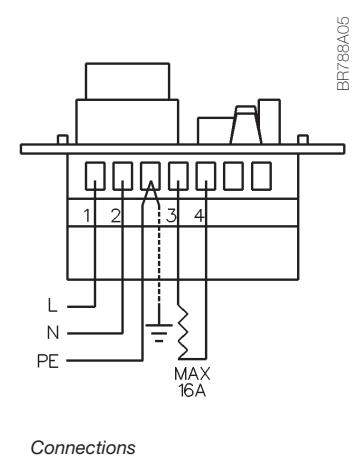
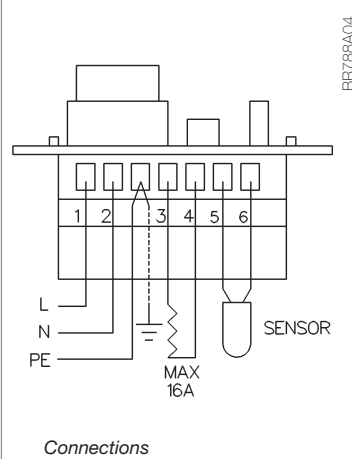
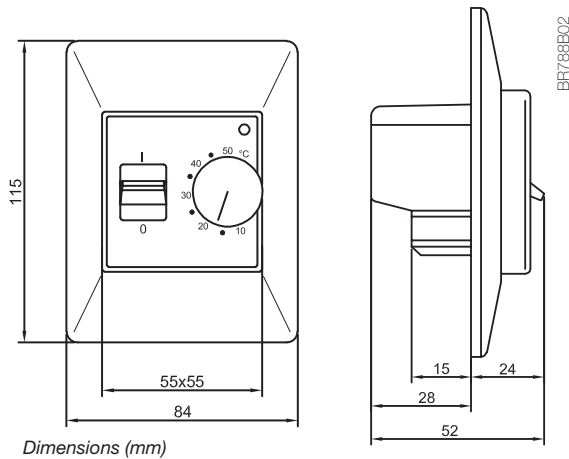
	THERMOSTATS WITH SCALE IN °F	THERMOSTATS WITH SCALE IN °C
WITH FLOOR SENSOR:		
Supply 120 V	MTC-2991-UFH	MTC-2991-UCH
Supply 240 V	MTC-1991-UFH	MTC-1991-UCH
WITH AIR SENSOR:		
Supply 120 V	MTC-2999-UFH	MTC-2999-UCH
Supply 240 V	MTC-1999-UFH	MTC-1999-UCH
WITH AIR SENSOR & WITH FLOOR SENSOR:		
Supply 120 V	MTD-2999-UFH	MTD-2999-UCH
Supply 240 V	MTD-1999-UFH	MTD-1999-UCH
ACCESSORIES		
ETF-144/99A	Floor sensor, 3 m/10 ft	
ETF-944/99-H	Remote room sensor for surface wall mounting	
MTC-AH	Protective cover	

Temperature Limitation

The MTD is delivered with a floor sensor which can be used for:

Max. temperature limitation: Protection of i.e. wooden floors

Min. temperature limitation: For better heating comfort



THERMOSTAT CONTROL

The thermostat is an electronic on/off thermostat with control of temperature by means of an NTC sensor. The heat output is switched on and off with a differential of only 0.4 °C/0.7 °F. Red LED indicates when heating is on.

Adjustment of the Thermostat

A wide temperature range with graduated scale in either °F or °C for easy setting of the required temperature. With the locking rings behind the thermostat button the min./max. temperature setting can be selected.

APPROVALS

The thermostats with 120/240 V AC, 60 Hz are UL and cUL Listed and meet UL8730-1 and UL8730-2-9 standards for temperature indicating and regulating equipment.

CE: All types

Classification

The product is class II device according to UL 8730-1.

TECHNICAL DATA

Supply voltage	230 V AC +10 %-15 %, 120 V AC ±15 %
Output relay	16 A SPST
Built-in interrupter	2-pole
Temperature range	MTC: +10/+50 °C / +50/+122 °F MTD: +5/+40 °C / +40/+104 °F
On/off differential	0.4 °C/0.7 °F
Housing	IP20
Ambient temperature	0/+50 °C / +32/+122 °F
Dimensions	115 x 84 x 52 mm / 4.5 x 3.3 x 2.3 inch.

MOUNTING

Mounting of Floor Sensor

Floor sensor is used for comfort heating of floor. The sensor can be mounted in conduit of consideration to replacement. The conduit is mounted between the heating cables and ended towards the floor surface.

Mounting of limitation sensor

Max. temperature limitation is used for protection of installation or construction against excessive temperature. The sensor is mounted at a place where excessive temperature may arise.

Min. temperature is used for better heating comfort. The sensor is mounted as floor sensor.

If required, the floor sensor and limitation sensor can be extended up to 100 m / 300 ft. with a standard installation cable.

Mounting of Air Sensor

Air sensor is used for room heating. Thermostat with internal air sensor is mounted approx. 1.6 m / 5 ft. above the floor.

Mounting of Remote Room Sensor

Thermostat incl. floor sensor is used, but remote room sensor is mounted instead of floor sensor.