



MT4/MT8

Small linear thermoelectric Actuators

APPLICATION

Small linear actuators are used in room and zone applications for time-controlled two-point and pulse-width modulated (PWM*) regulation of heating and cooling systems such as fan coil units, radiators, floor heating systems, chilled ceilings, and convectors.

- Fit on standard M30 x 1.5 heating/cooling valves, thermostatic radiator valves, and valve inserts for manifolds and compact radiators
- Fit to standard closing dimensions (11.5 mm ± 0.3 mm)
- Special valve adapters on request

*Recommended controllers: Excel 10 and Excel 12 controllers (use with other, non-Honeywell Home controllers may adversely influence PWM-operation).

APPROVALS

- CE
- UKCA

SPECIAL FEATURES

- No mounting tools required (easily mounted using valve adapter)
- Water-protected housing design in all mounting positions
- Pluggable cable for easy installation and servicing
- Auxiliary switch models for driving pumps or fans
- Normally-open and normally-closed models
- Compact design allows installation in limited space
- Visual indicator showing valve position and type of action (NO or NC)
- Noiseless operation
- Reliable long-term operation
- Overload protection (4 kV) for 230 V models



TECHNICAL DATA

Operating temperatures	
Max. medium temperature:	120 °C
Specifications	
Maximum stroke:	MT4: 4 mm MT8: 8 mm
Power supply:	MTx-024: 24 V AC/DC ± 20 % MTx-230: 230 V AC +10 % ... -15 %
Stem force:	90 N
Open/closing time:	dependent on ambient temperature (see section "Electrical specifications")
Protection standard:	IP44 in all mounting positions
Cable length:	1 m, other cable lengths upon request
Cable wires:	MTx-xxx: 2 x 0.5 mm ² MTx-xxxS: 4 x 0.35 mm ²
Max. permissible auxiliary switch current:	MTx-xxxS: 5 (3) A
End position:	MT4: 14.0 mm MT8: 18.0 mm

METHOD OF OPERATION

When the operating current is applied, a PTC resistor heats up a wax element. After a delay, this wax element expands, causing stroke movement.

TRANSPORTATION AND STORAGE

Keep parts in their original packaging and unpack them shortly before use.

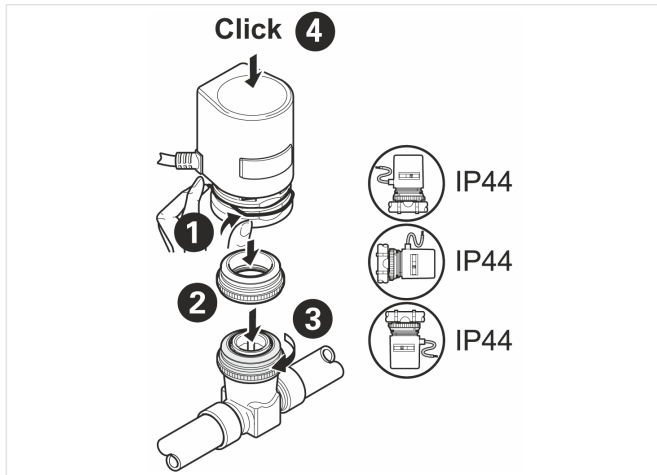
The following parameters apply during transportation and storage:

Parameter	Value
Environment:	clean, dry and dust free
Min. ambient temperature:	20 °C
Max. ambient temperature:	50 °C
Max. ambient relative humidity:	95 % *

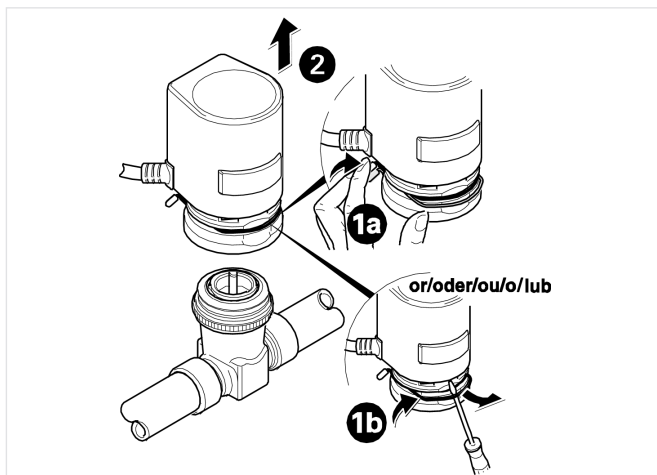
*non condensing

INSTALLATION GUIDELINES

Mounting and dismounting

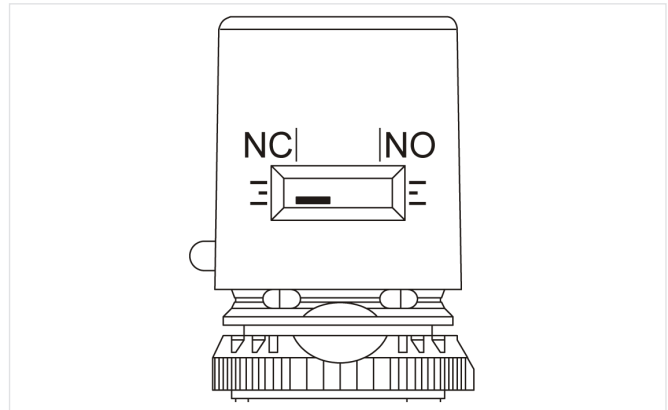


Note: Connection leads must not touch piping (heat transfer).

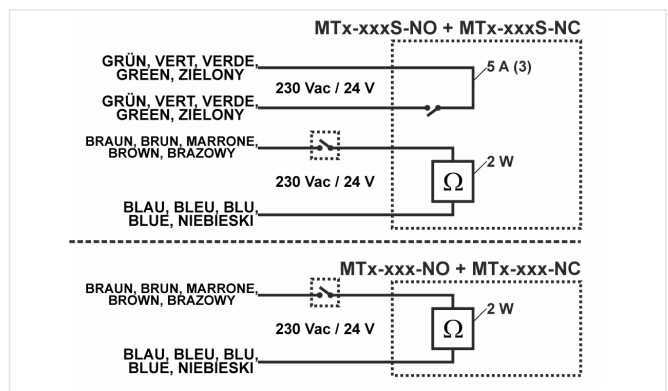


Position Indicator

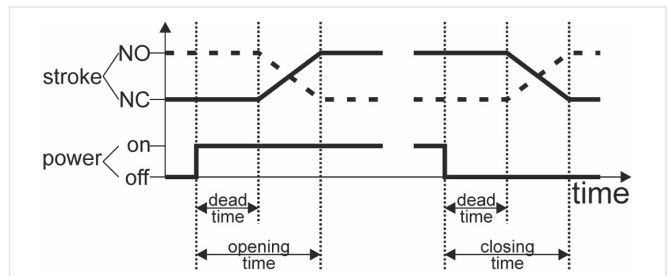
The position indicator (the red indicator behind the window on the face of the actuator) shows the model's type of action (NO or NC) as well as the current stroke position.



Wiring



Opening and Closing Time



Note: Opening and closing times depend upon ambient temperature and model.

TECHNICAL CHARACTERISTICS

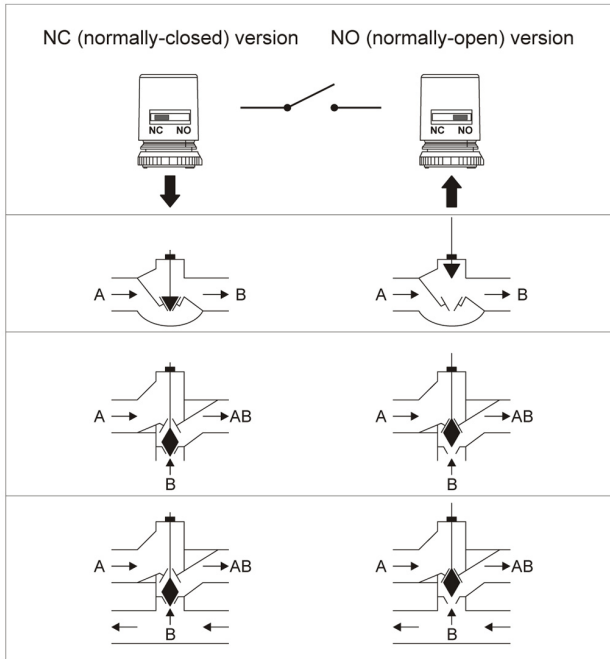
Electrical specifications

Initial current*	Permanent current*	Power consumption*	Ø Runtime for full nominal valve stroke*		OS.-No.
			(valve stroke: 2.5 mm) MT4	(valve stroke: 6.5 mm) MT8	
~0.2 A**	< 0.1 A	< 2 VA	4.0 min	6.0 min	MTx-024-xx, MTx-024S-xx
~0.4 A**	< 0.01 A	< 2 VA	4.0 min	6.5 min	MTx-230-xx, MTx-230S-xx

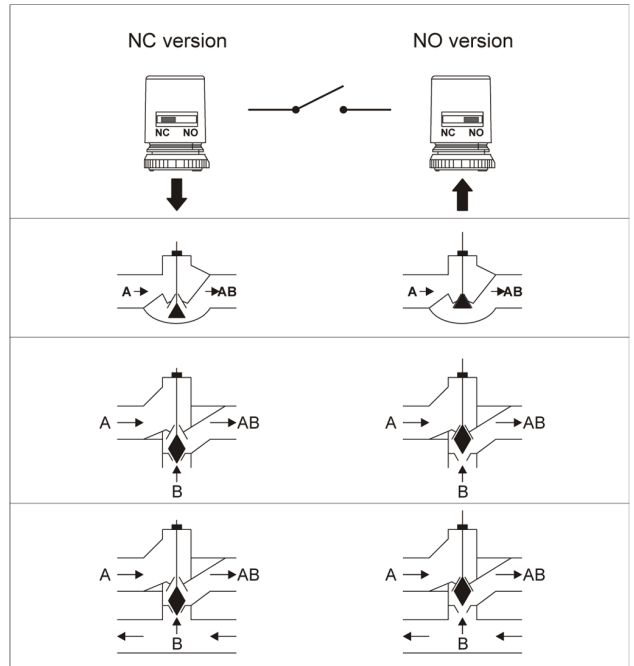
* All values at nominal voltage 24 V AC/DC, 230 V AC, 50 Hz.

**Average during first 500 m sec.

Valve Action with "Typical" Valves



Valve Action with VSxx Valves

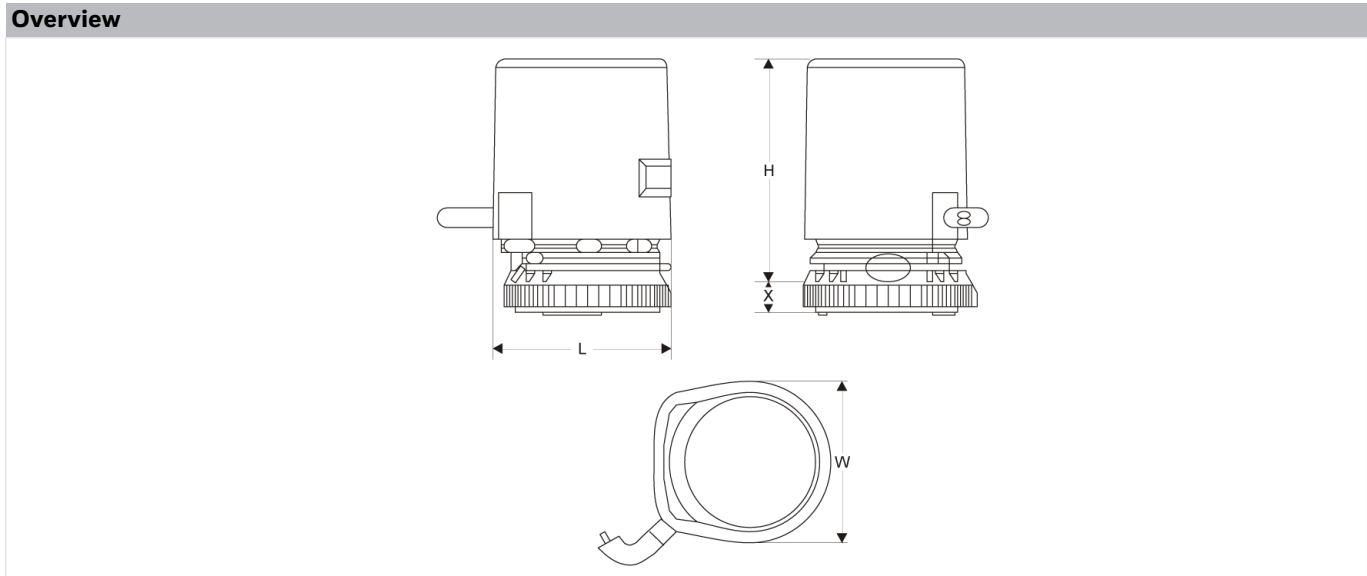


Normally open: 2-way valve, A-B open without power;

Normally closed: 2-way valve, A-B shut without power;

Note: This figure is a schematic diagram showing typical valve action. Actual function can vary depending upon the individual type of valve.

DIMENSIONS



Parameter		MT4-xxx	MT8-xxx
Dimensions:	H	59	67
	L	45	45
	W	42	42
	X	6	6

Note: All dimensions in mm unless stated otherwise.

ORDERING INFORMATION

The following tables contain all the information you need to make an order of an item of your choice. When ordering, please always state the type, the ordering or the part number.

Options

Action*	Additional features	Voltage	Max. stroke	OS.-No.
Normally closed		24 V AC/DC	4 mm	MT4-024-NC
Normally open				MT4-024-NO
Normally closed	2.5 m cable length			MT4-024-NC-2.5M
Normally open	2.5 m cable length			MT4-024-NO-2.5M
Normally closed	with auxiliary switch			MT4-024S-NC
Normally open	with auxiliary switch			MT4-024S-NO
Normally closed		230 V AC/DC	4 mm	MT4-230-NC
Normally open				MT4-230-NO
Normally closed	2.5 m cable length			MT4-230-NC-2.5M
Normally open	2.5 m cable length			MT4-230-NO-2.5M
Normally closed	with auxiliary switch			MT4-230S-NC
Normally open	with auxiliary switch			MT4-230S-NO
Normally closed		24 V AC/DC	8 mm	MT8-024-NC
Normally open				MT8-024-NO
Normally closed	2.5 m cable length			MT8-024-NC-2.5M
Normally open	2.5 m cable length			MT8-024-NO-2.5M
Normally closed	with auxiliary switch			MT8-024S-NC
Normally open	with auxiliary switch			MT8-024S-NO
Normally closed		230 V AC/DC	8 mm	MT8-230-NC
Normally open				MT8-230-NO
Normally closed	2.5 m cable length			MT8-230-NC-2.5M
Normally open	2.5 m cable length			MT8-230-NO-2.5M
Normally closed	with auxiliary switch			MT8-230S-NC
Normally open	with auxiliary switch			MT8-230S-NO

*Without power, in combination with standard 2-way valve; "normally closed" = stem extends, "normally open" = stem retracts

Accessories

	Description	Dimension	Part No.
	MT-CLIP	Mounting Clip	
		10 units	MT-CLIP
	MT-ADAPT-HW	Mounting adapter	
		10 units	M30 x 1.5 MT-ADAPT-HW
	MT-ADAPT-HP	Mounting adapter for Herz/Polytherm valves	
		10 units	MT-ADAPT-HP
	MT-CABLE	Cable (only for actuators without auxiliary switch)	
		Suitable for MT4-024/-230 and MT8-024/-230, 10 units	MT-CABLE-1.5M MT-CABLE-2.5M MT-CABLE-5M MT-CABLE-10M
	EVA1-DANFOSS	Danfoss adapter set	
		RA/RAV/RAVL, 10 units	M30 x 1.5 EVA1-DANFOSS
	HCA1VEL	Mounting adapter for Velta compact manifold	
			HCA1VEL
	R453HY002	Mounting adapter for Giacomini manifold	
			R453HY002

For more information

homecomfort.resideo.com/europe



Ademco 1 GmbH
 Hardhofweg 40
 74821 MOSBACH
 GERMANY
 Phone: +49 6261 810
 Fax: +49 6261 81309

Manufactured for and on behalf of the
 Pittway Sàrl, La Pièce 4, 1180 Rolle, Switzerland
 by its Authorised Representative Ademco 1 GmbH
 EN0H-0490GE25 R0421

Subject to change

© 2021 Pittway Sàrl. All rights reserved.
 This document contains proprietary information of
 Pittway Sàrl and its affiliated companies and is
 protected by copyright and other international laws.
 Reproduction or improper use without specific
 written authorisation of Pittway Sàrl is strictly
 forbidden. The Honeywell Home trademark is used
 under license from Honeywell International Inc.



Strandvejen 42 ♦ Saksild ♦ 8300 Odder
 86 62 63 64 ♦ www.automatikcentret.dk
info@automatikcentret.dk

