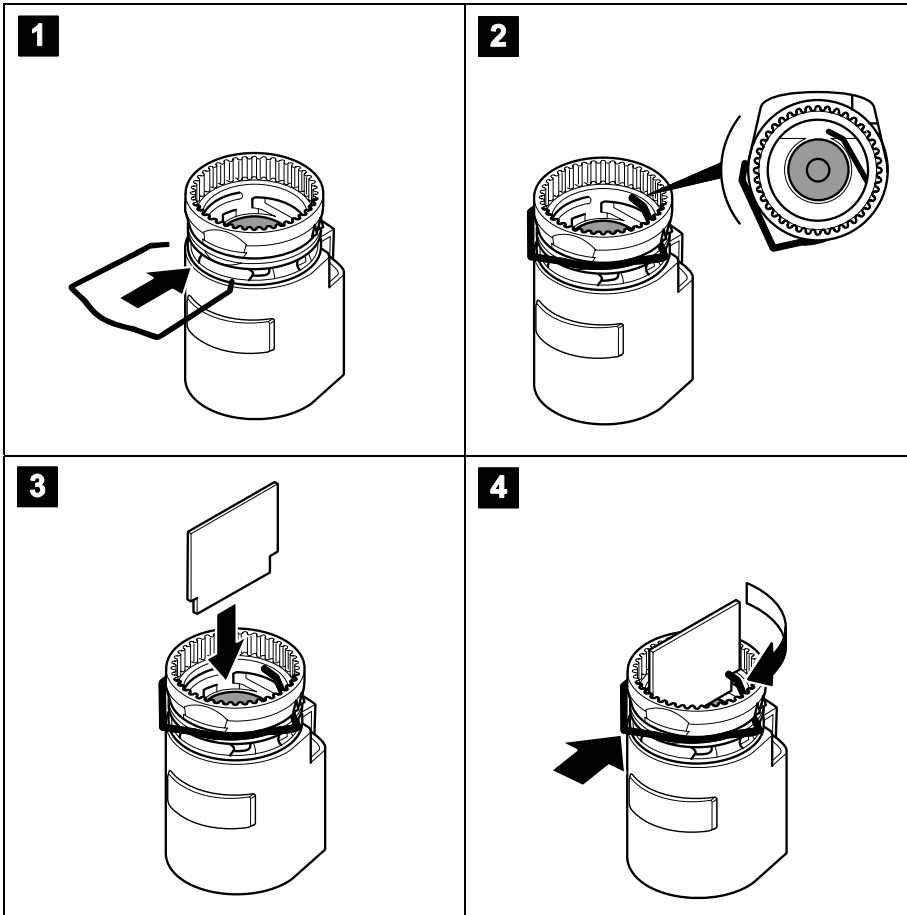
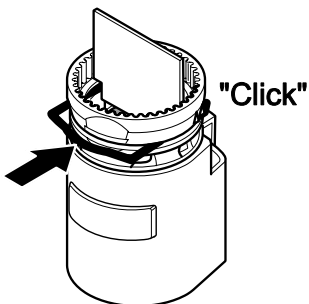
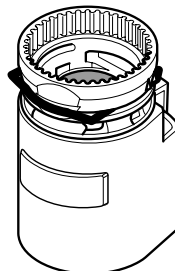


**MT-CLIP-ATP – Mounting Clips for MT4/MT8****Mounting Instructions/Montageanleitung/  
Instructions de montage/Istruzioni di montaggio**

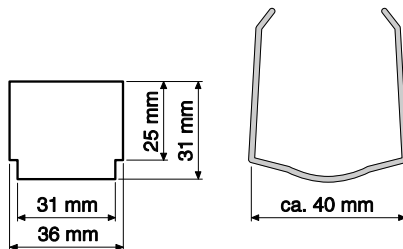
**5**



**6**



**Dimensions/Abmessungen/Dimensioni (mm)**



Manufactured for and on behalf of the Environment and Combustion Controls Division of Honeywell Technologies Sàrl, Ecublens, Route de Bois 37, Switzerland by its Authorized Representative:

**Honeywell GmbH**

Hardhofweg

D-74821 Mosbach

<http://europe.hbc.honeywell.com>

Subject to change without notice

Manufacturing certified to

**DIN EN ISO  
9001/14001**

This document replaces all previously issued instructions and is applicable only to the product with which it is supplied.

Honeywell GmbH hereby declares that this product is in compliance with the essential requirements and other relevant provisions of Directive 1995/5/EEC.

