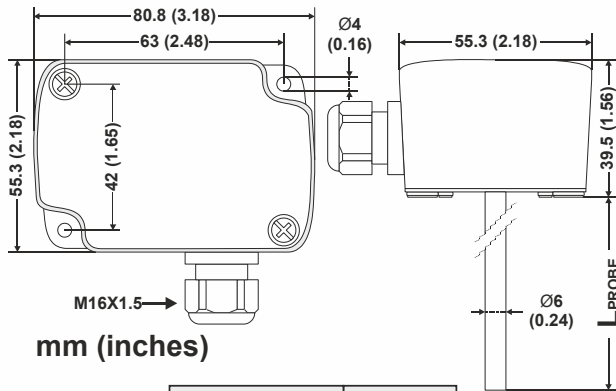


LF/VF/PF Temperature Sensors

D Montageanweisung
 F Instructions d'installation

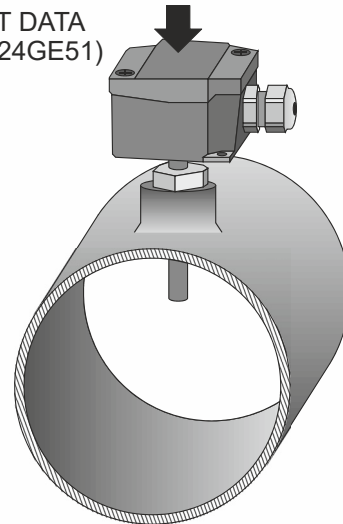
MOUNTING INSTRUCTIONS

IMMERSION WELL MOUNTING (VF SERIES)

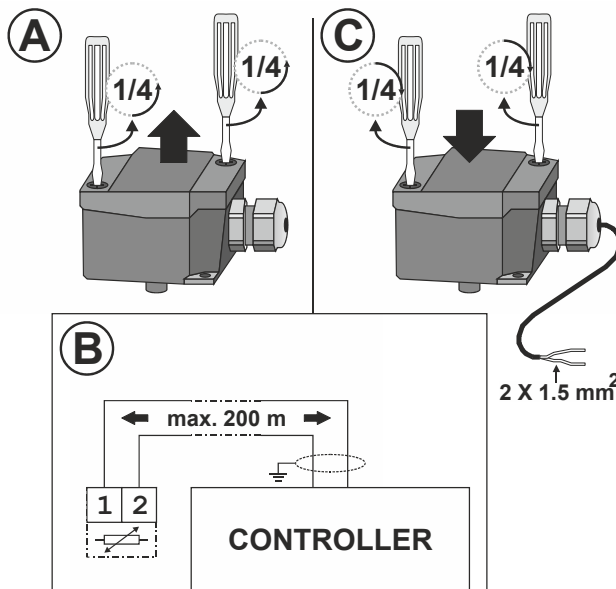


MODEL	L _{PROBE}	
	mm	inches
VFxx-5BxxNW	65	2.56
VFxx-1BxxNW	150	5.91
VFxx-3BxxNW	300	11.81

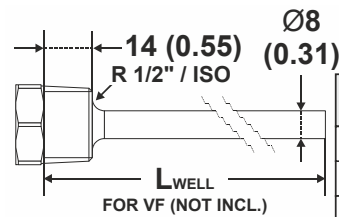
PROTECTION CLASS: IP54 / IP65
 SEE ALSO:
VF / LF
 PRODUCT DATA
 (EN0B-0724GE51)



CABLE INSTALLATION

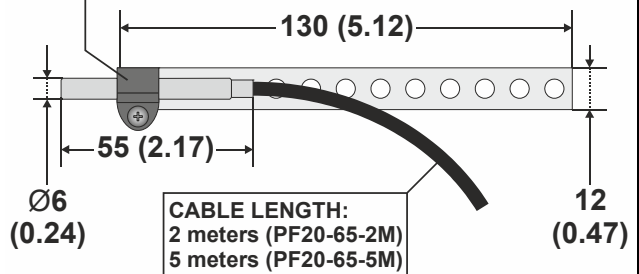


L_{WELL}, PF20 DIMENSIONS

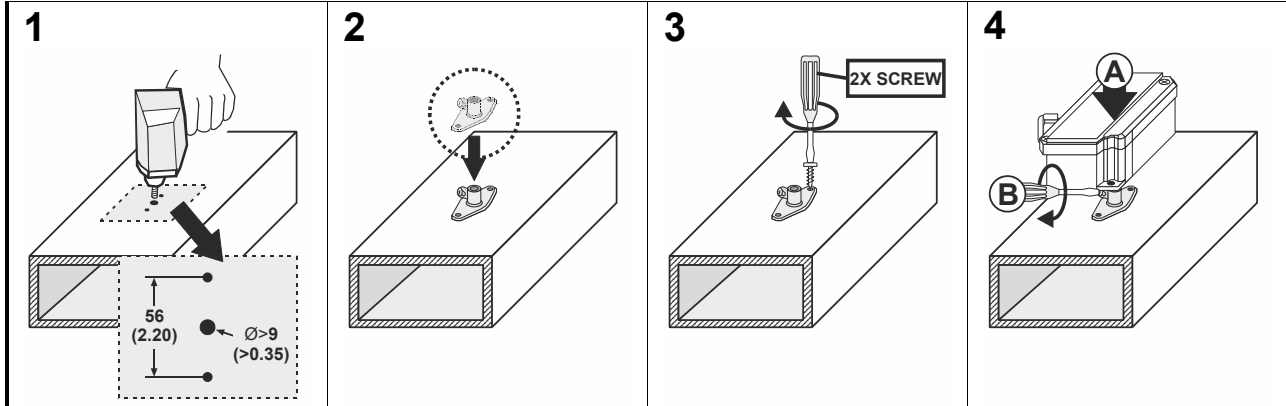
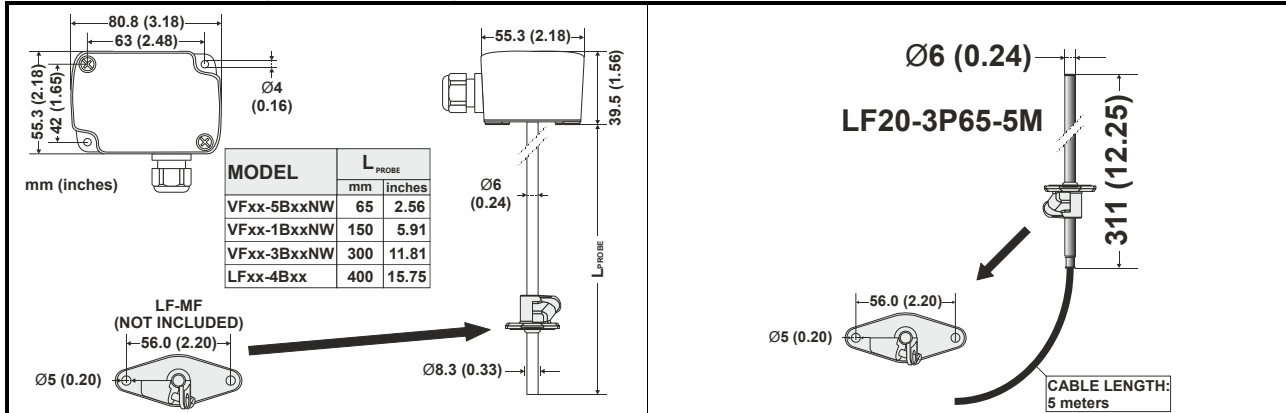


MODEL	L _{WELL}	
	mm	inches
WB50 / WS50	50	1.97
WB150 / WS150	135	5.31
WB300 / WS300	285	11.22

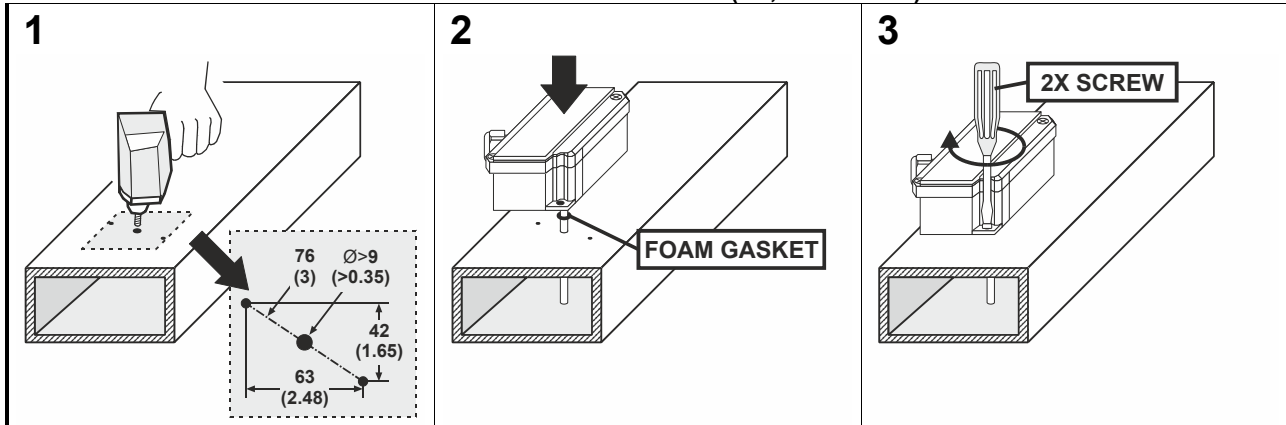
SENSOR CAN BE POSITIONED ON THE MOUNTING BRACKET IN STEPS OF 90°.



FLANGE MOUNTING (VF / LF SERIES)



MOUNTING DEVICE WITHOUT FLANGE / IMMERSION WELL (VF, LF SERIES)



Home and Building Technologies

Honeywell GmbH
 Böblinger Strasse 17
 71101 Schönaich, Germany
 Phone +49 (0) 7031 637 01
 Fax +49 (0) 7031 637 740
<http://ecc.emea.honeywell.com>



Strandvejen 42 • Saksild • 8300 Odder
 86 62 63 64 • www.automatikcentret.dk
info@automatikcentret.dk