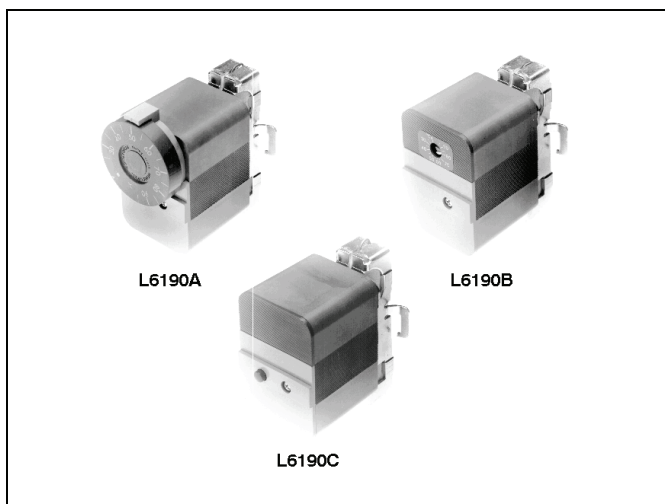


L6190 SINGLE AQUASTAT - SURFACE MOUNTING

APPLICATION AND ORDERING INFORMATION



Application

The L6190 is a sensitive water temperature thermostat designed for surface mounting on domestic hot water cylinders or pipe work. The SPDT switching action is accomplished by a snap-action microswitch actuated by the temperature sensing element.

The L6190 is supplied complete with mounting strap for rapid and easy installation. Draining of the system or tapping of the cylinder or pipe work is not required. The required temperature control point is easily set using a screw driver.

Ordering information

O.S. number	Application	Temperature range	Switch differential (K)	Switch type	Setting means	Strap length (mm)
L6190A 2016	Surface mounting	25 ... 95°C	8	SPDT	External knob	250
L6190B 2006	Surface mounting	25 ... 95°C	8	SPDT	External setting	2000
L6190B 2014	Surface mounting	25 ... 95°C	12	SPDT	External setting	2000
L6190B 2022	Surface mounting	25 ... 95°C	4	SPDT	External setting	2000
L6190B 2030	Surface mounting	25 ... 95°C	4 ... 10 (adjustable)	SPDT	Internal setting	250
L6190C 2004	Surface mounting	25 ... 95°C	Manual reset	SPDT	Internal setting	2000
L6190C 2012	Surface mounting	25 ... 95°C	Manual reset	SPDT	Internal setting	2000

L6190 SINGLE AQUASTAT - SURFACE MOUNTING

SPECIFICATIONS AND DIMENSIONS

Specifications

Ambient temperature limits
0 ... 70°C

Capillary length
55 mm

Electrical connection
6.3 mm spade terminals or screw terminals

Enclosure
IP40

Electrical rating
10 A at 250 Vac, resistive load
2,5 A at 250 Vac, inductive load
15 A at 250 Vac, locked motor

Terminal data
C-1 breaks and C-2 makes on temperature rise

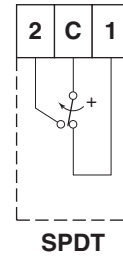


Fig. 5. Internal schematic L6190

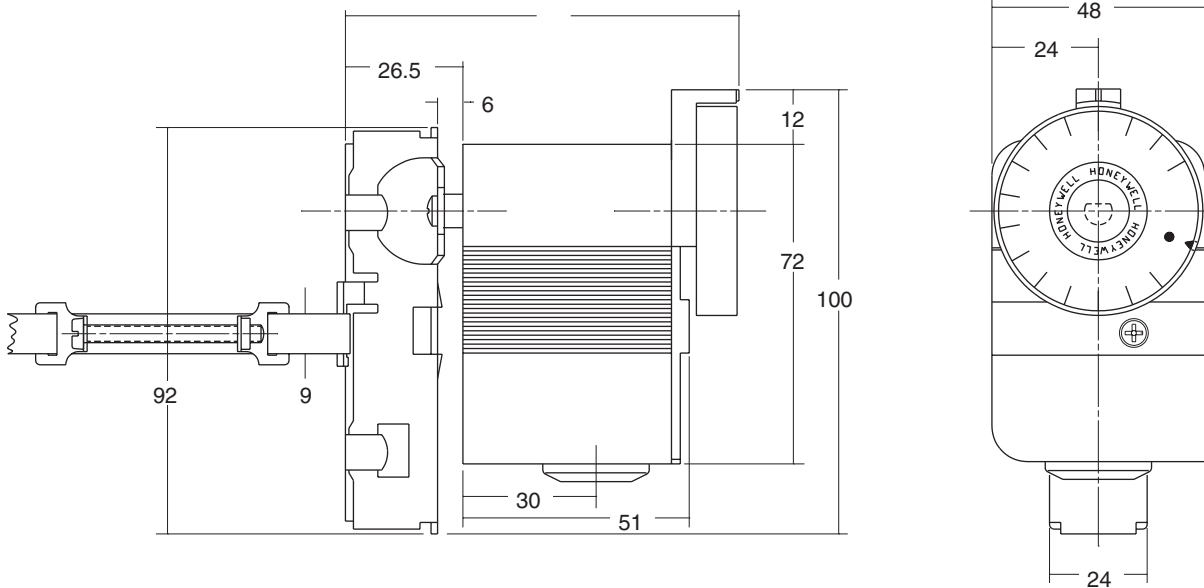


Fig. 6. Dimensional drawing L6190