

# HRA80

## EXTERNAL ANTENNA

### PRODUCT DATA



## FEATURES

- Bi-directional communication
- Length of the antenna cable can be max. 30m
- Up to 3 underfloor heating controllers can be connected to one antenna

## GENERAL

The external antenna HRA80 is used to be connected on the underfloor heating controllers HCE80 and HCE80R to receive and transmit data from the allocated devices. The antenna module includes the transceiver 868,3MHz.

## SPECIFICATIONS

### ELECTRICAL

**Operating Voltage** : Powered by the connected controller

### RF Communication

**RF band** : 868,3 MHz Transceiver

**Receiver class** : 2

**RF communication range** : 30m in a residential building environment

**RF communication Technology** : short, high rate transmission to minimize air time and avoid collisions

### ENVIRONMENTAL and STANDARDS

**Storage temperature** : -20 ... +55 °C

**Operating temperature** : 0 ... +50 °C

**Dimensions (HxWxD)** : 90 x 85 x 30 mm

**Humidity** : max. 5 ... 90 %

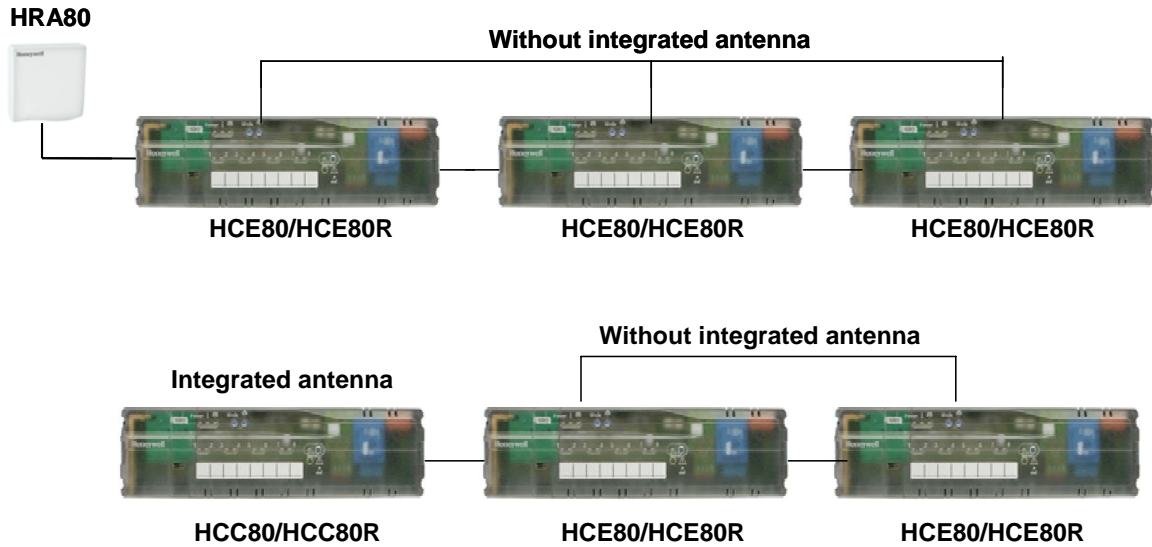
**IP class** : IP30

**Compatible products** : HCE80, HCE80R,

**Approval** : CE

## Application

Up to 3 controllers can be connected to one antenna external antenna HRA80  
 HCE80/HCE80R or internal antenna HCC80/HCC80R. The cable length of the antenna  
 can be max. 30 m.  
 Communication 868,3 MHz



**Honeywell**

**Automation and Control Solutions**

Honeywell AG  
 Böblinger Straße 17  
 D-71101 Schönaich  
 Phone: (49) 7031 63701  
 Fax: (49) 7031 637493  
<http://europe.hbc.honeywell.com>

**AutomatikCentret**

Strandvejen 42 ♦ Saksild ♦ 8300 Odder  
 86 62 63 64 ♦ [www.automatikcentret.dk](http://www.automatikcentret.dk)  
[info@automatikcentret.dk](mailto:info@automatikcentret.dk)

Subject to change without notice. Printed in Germany

Manufacturing location certified to

**DIN EN ISO  
 9001/14001**

EN0H-0445 GE51 R0303