

resideo

Underfloor Multi-Zone Controller HCC100

Product Overview

February 2024



resideo

HCC100 – Training Content I

- Features and Benefits
- Install HCC100 Controller
- Resideo Pro App
- System Configuration
- Appliance Control
- Zone Configuration
- Advanced Parameters
- System Status
- System Test

HCC100 – Training Content II

- HCC100 with evohome
- System Configuration with evohome
- Appliance Configuration with evohome
- Zone Configuration with evohome
- Examples of Applications and App Settings
- More Examples of Applications



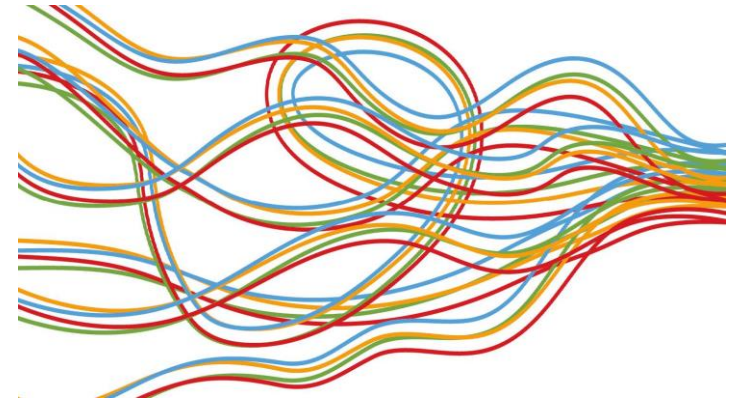
HCC100

Features and Benefits

HCC100 – Simply All-in-One

Our controller is more than a collection of features:

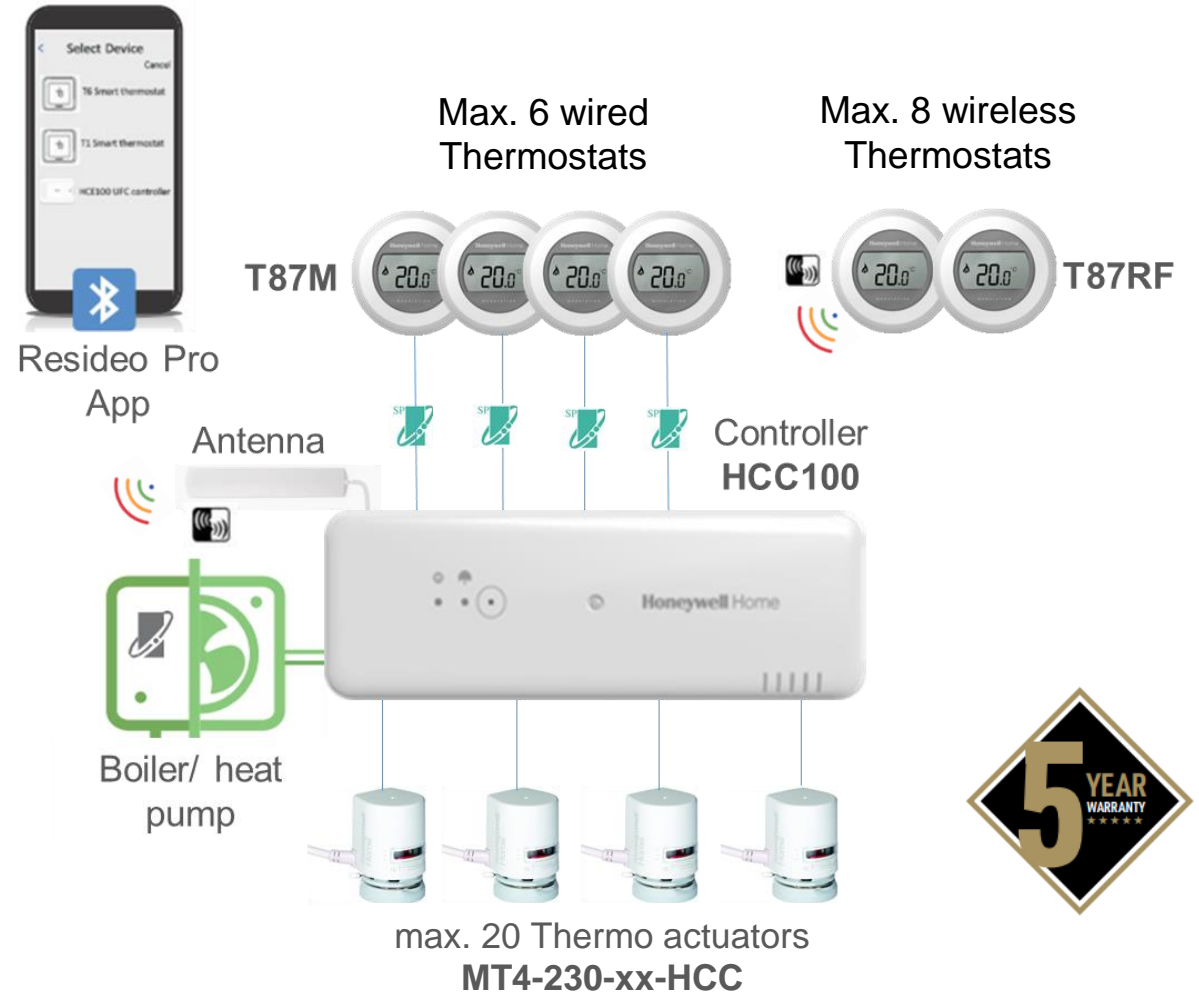
- It efficiently controls the temperature per zone
- It has a unique Resideo Pro App for simple configuration and setup
- It is capable of wired and wireless zone control, both in one
- It has an integrated heating and cooling control function
- It optimizes the demand control for the appliance type (boiler, heat pump, etc.)
- It is the professional home comfort controller for underfloor applications



HCC100M2022 – Underfloor Multi-zone Controller Bluetooth-enabled controller for heating and cooling

HCC100 Underfloor Multi-Zone Controller

- Up to 8 zones in total
 - Up to 6 wired zones
 - Up to 8 wireless zones
- Up to 20 wired MT4 actuators (free configurable)
- Heating and/or cooling control
- External or internal H/C change-over
- OpenTherm® appliance output
- Heat and cool demand relay outputs
- Condensation protection (input)
- Self-learning algorithm (fuzzy logic)
- Optimized zone demand heat pump control
- Outdoor compensation function (on/off)
- Heat/cool dump zone(s) configurable
- Optional connection with evohome



Wide Range of Functions

Pump control

Integrated pump relay ensures the pump runs only when there's a demand from one of the zones. Pump overrun time is settable via app.

Intelligent output control

Temperature of the zones are intelligently controlled via the powering of the thermo actuators. The controller will stagger the demands of all the zones in such a way that the number of open valves is constant. This creates a hydronic balancing effect resulting in a longer constant flow to improve efficiency.

Zone control

Up to 6 wired temperature zones and/or 8 wireless temperature zones, or a combination of both wired and wireless zones, with a maximum of 8 temperature zones.



Appliance control intelligent

Self-learning (fuzzy logic) control algorithm converts the individual zone demands into a single heat or cool demand for the appliance. Appliance type can be configured via the app, which automatically adjusts the parameters for optimal control.

Heating or cooling mode

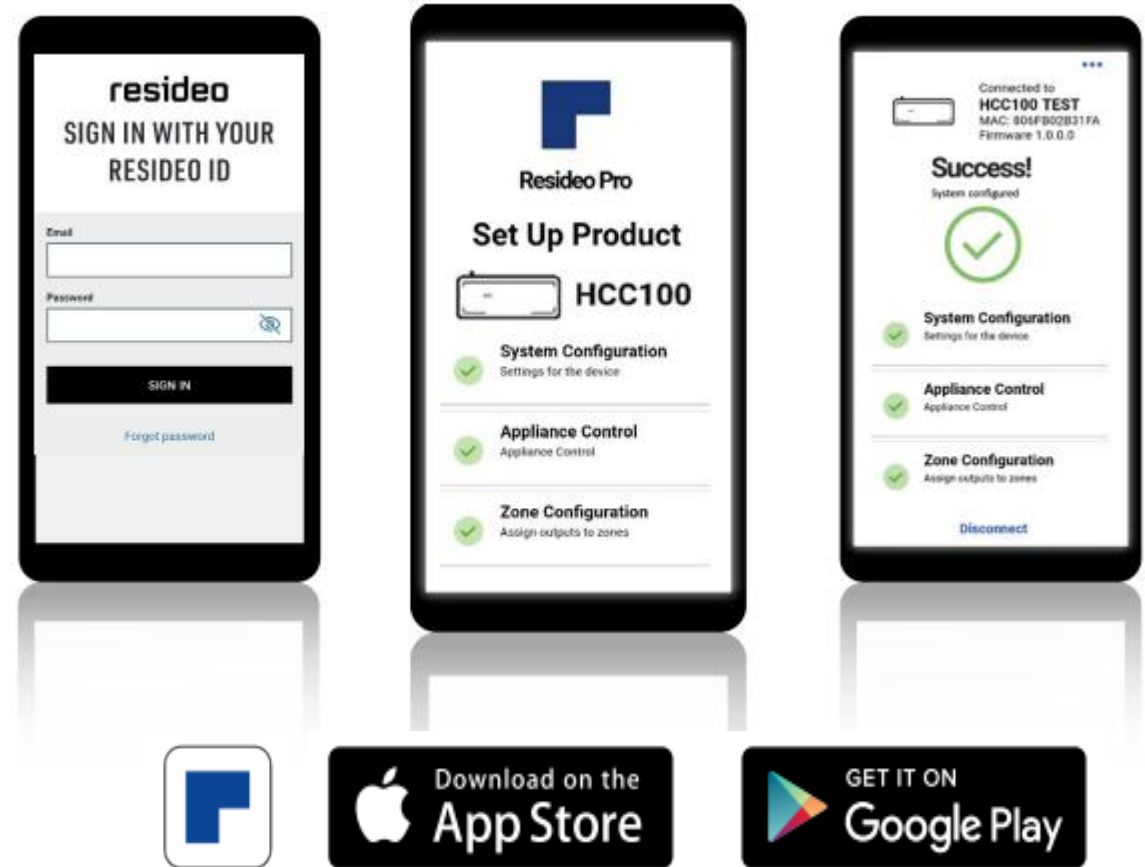
As the cooling control comes as a standard integrated function, there are many ways to optimize the heating and cooling mode of the system through the app.

Auto-detect function

During power-up, the controller automatically checks the wired zone thermostat inputs, sensor inputs, thermo-actuator outputs, OpenTherm input and Link connection. This will be shown on the app at the start of the configuration and can be used to check if the wiring is correct.

Easy Configuration Using Resideo Pro App

- Simplifies and shortens commissioning
- Connect controller to smartphone
- Configure through guided menu
- View temperature and status information
- Tests the signal strength



Peripherals / Compatible Products

HCC100 is compatible with other Resideo products.



Evohome ATC928

WiFi

Water and snow icons

Wireless signal icon




Underfloor controller HCC100

Honeywell Home


Wireless signal icon

SP icon


OpenTherm Thermostats




T3M



T4M




T87M



T87HC


SP icon

Water and snow icons




Wireless relay box BDR91T

Wireless signal icon




Wireless OpenTherm Bridge R8810


Sensors/ Hygrosat



AF20




SF20




EE046

Thermal actuator




MT4-230-xx-HCC

Wireless Thermostats



T87RF



DTS92A

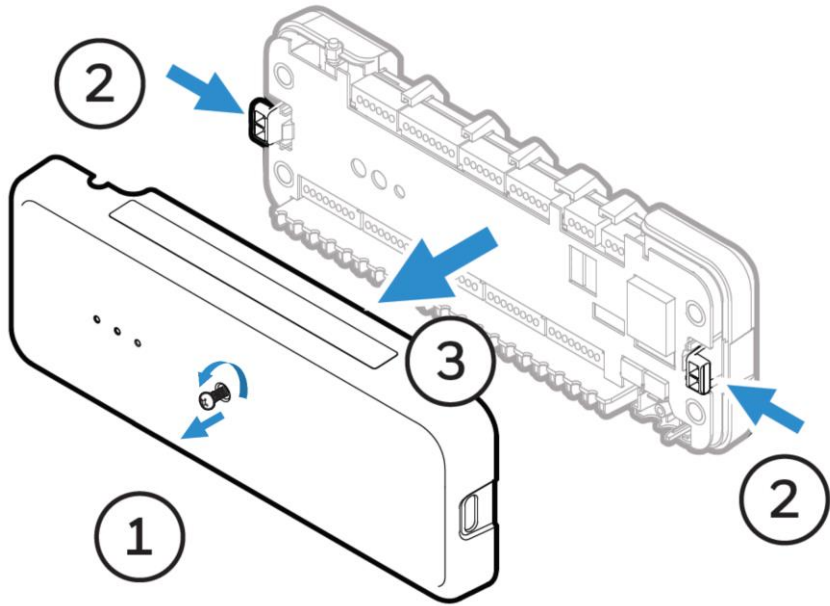
Water and snow icons

Only with Evohome

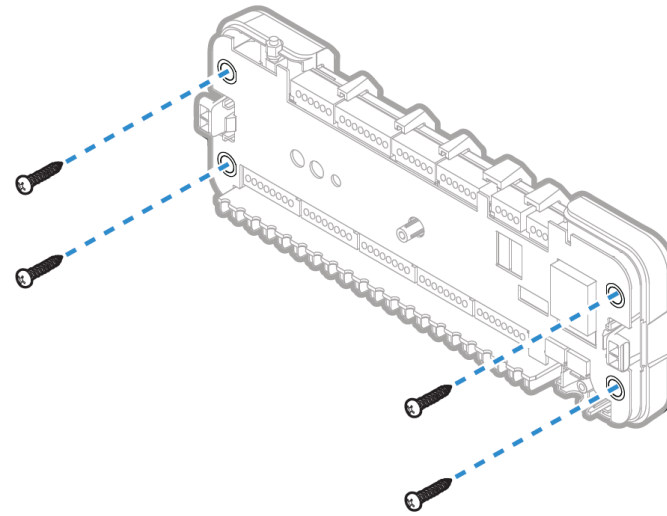


Install HCC100 Controller

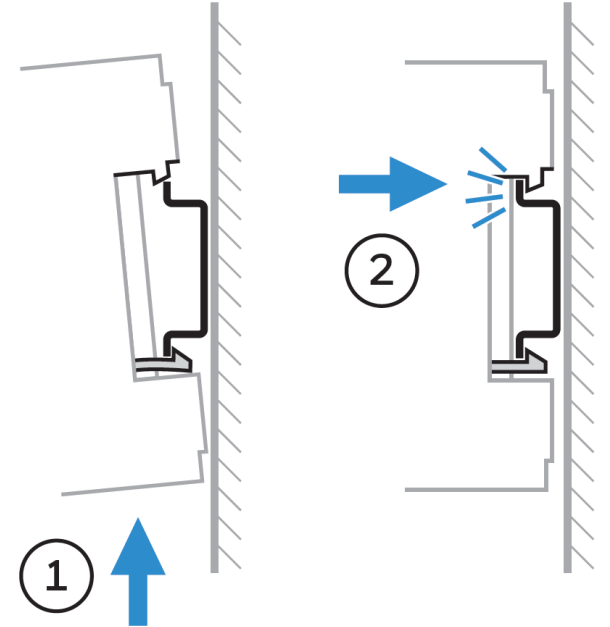
Install the HCC100



Remove the front cover



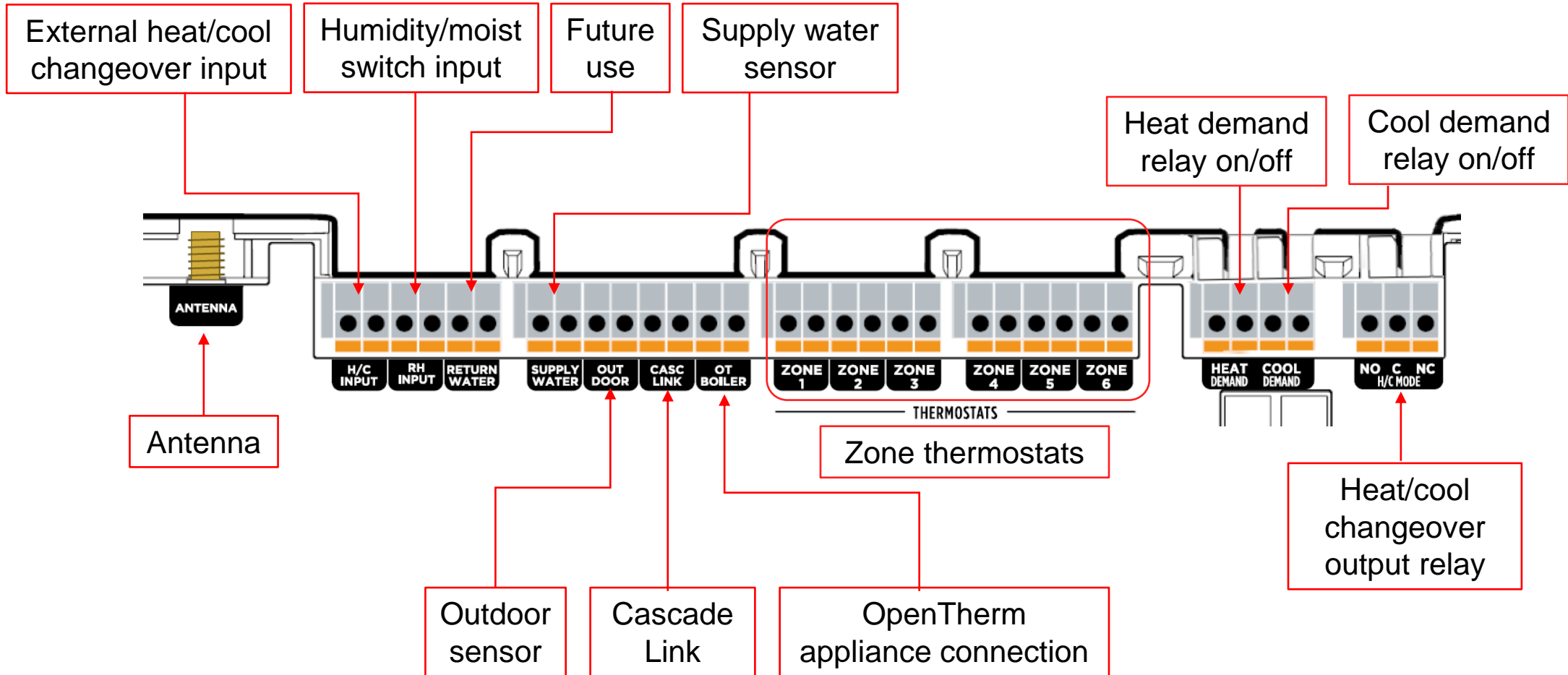
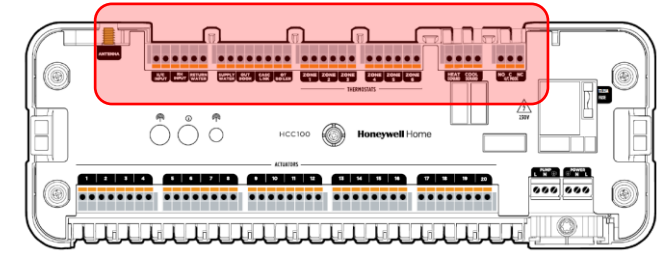
Wall mount with four screws



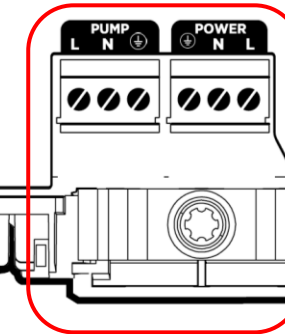
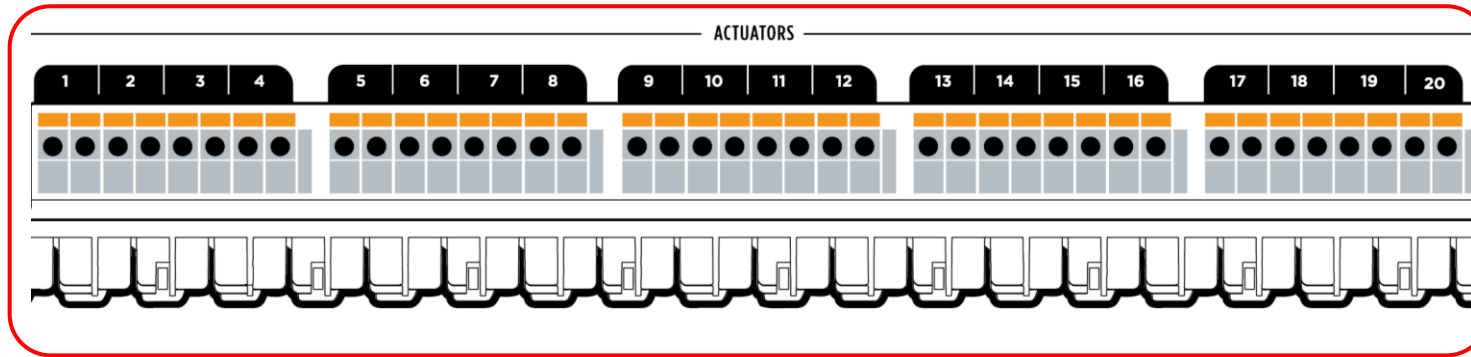
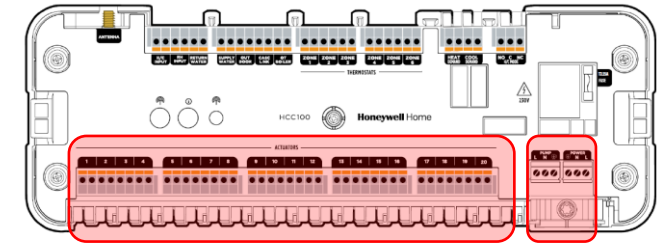
Install on DIN rail

Mount directly to the wall or secure to a DIN rail

HCC100 Terminals (upper part)



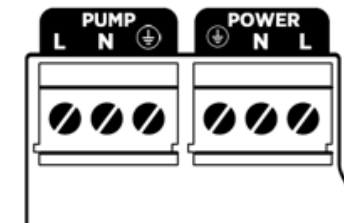
HCC100 Terminals (lower part)



20 Thermal actuator outputs 230Vac

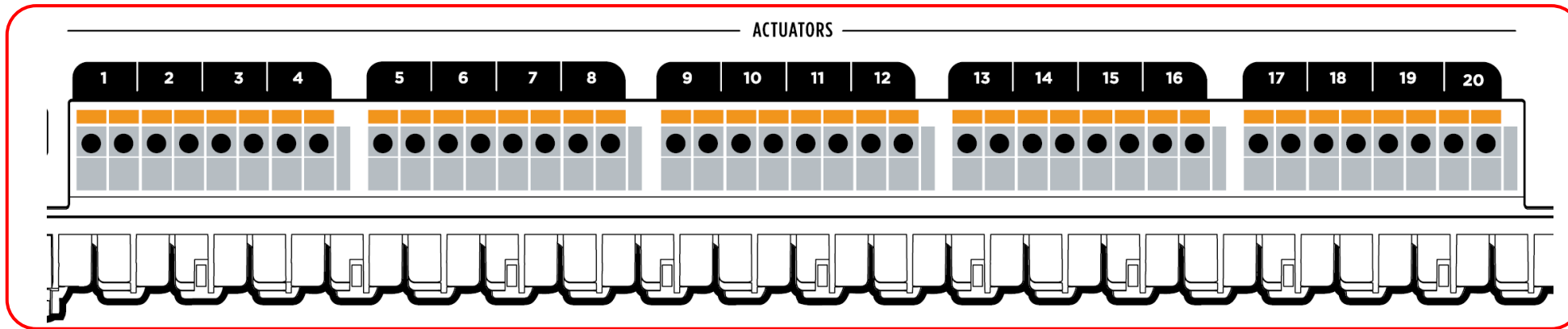
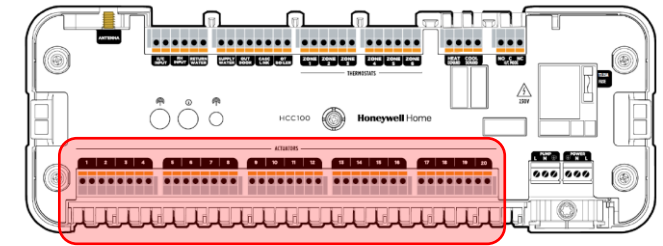


230Vac mains input and pump connections

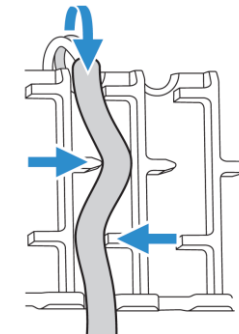
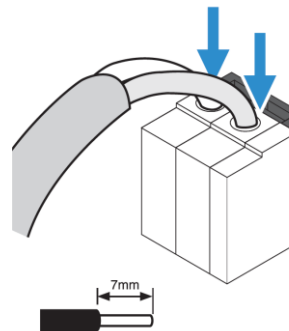


All terminal connections at the bottom of the HCC100 are HIGH voltage 230Vac

Wiring Actuators

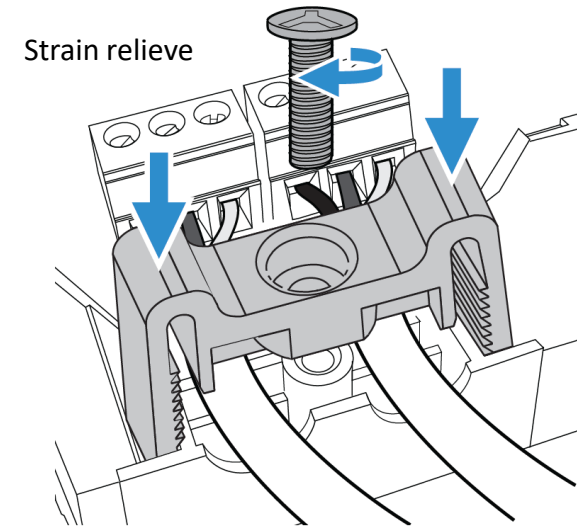
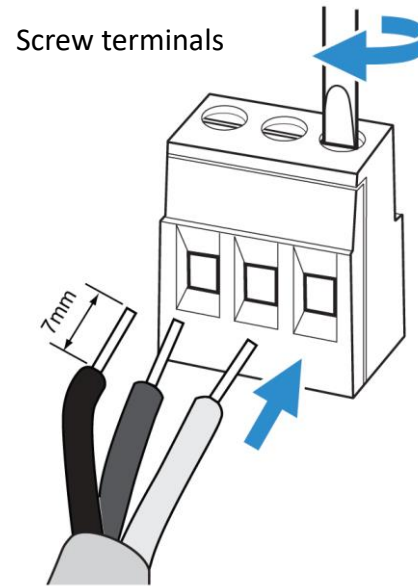
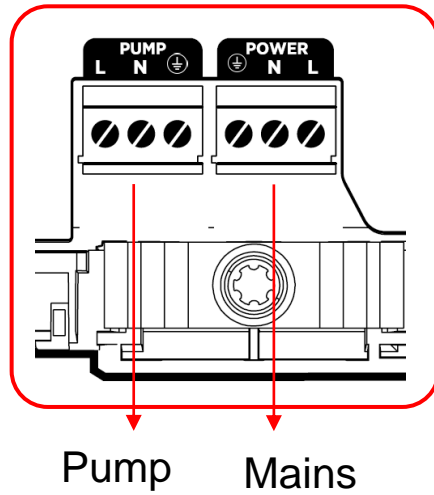
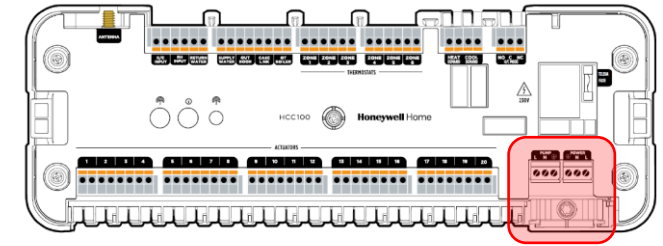


MT4-230-xx-HCC



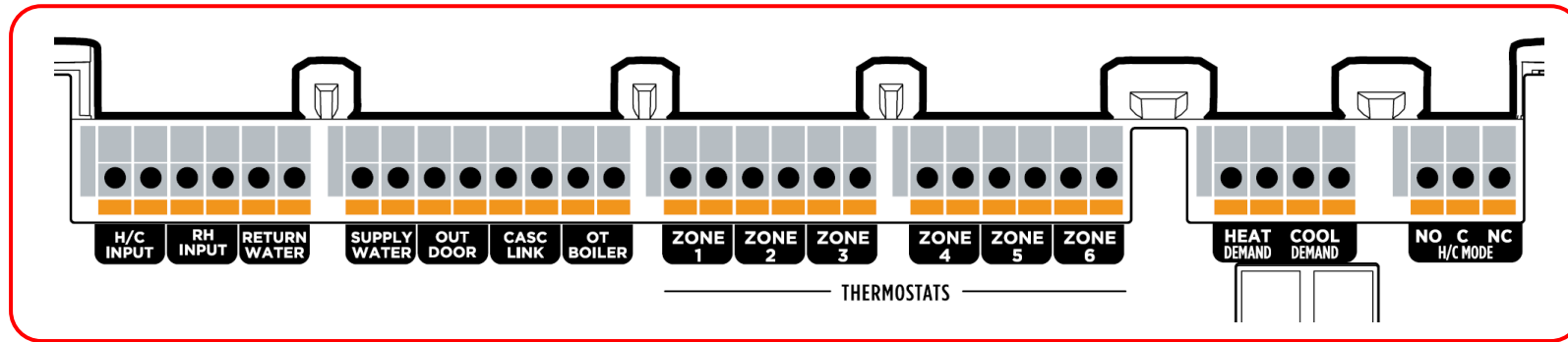
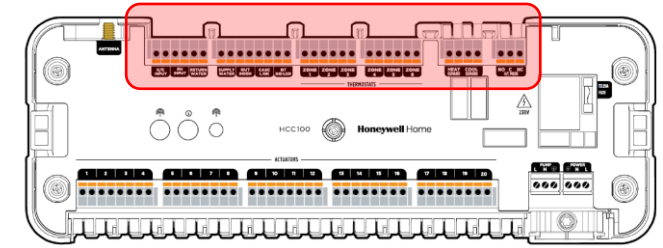
Wire up to twenty actuators using the spring terminals for each zone and use the strain relief

Wiring Mains and Pump



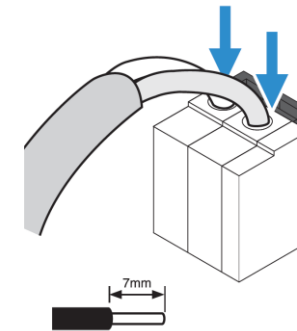
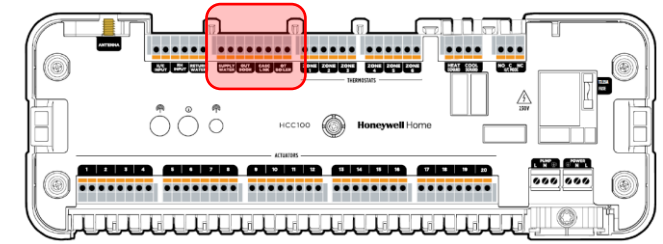
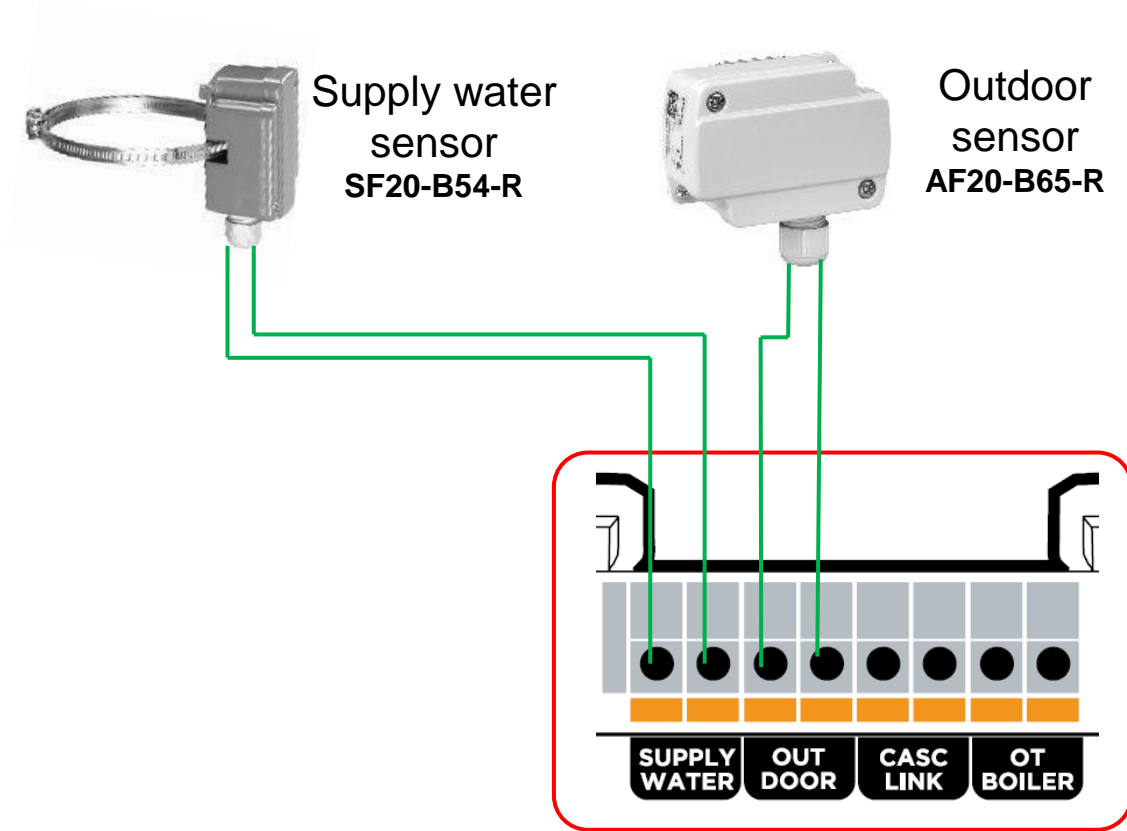
Wire up to twenty actuators using the spring terminals for each zone and use the strain relief

Connect Sensors, Thermostats, and Demand Output



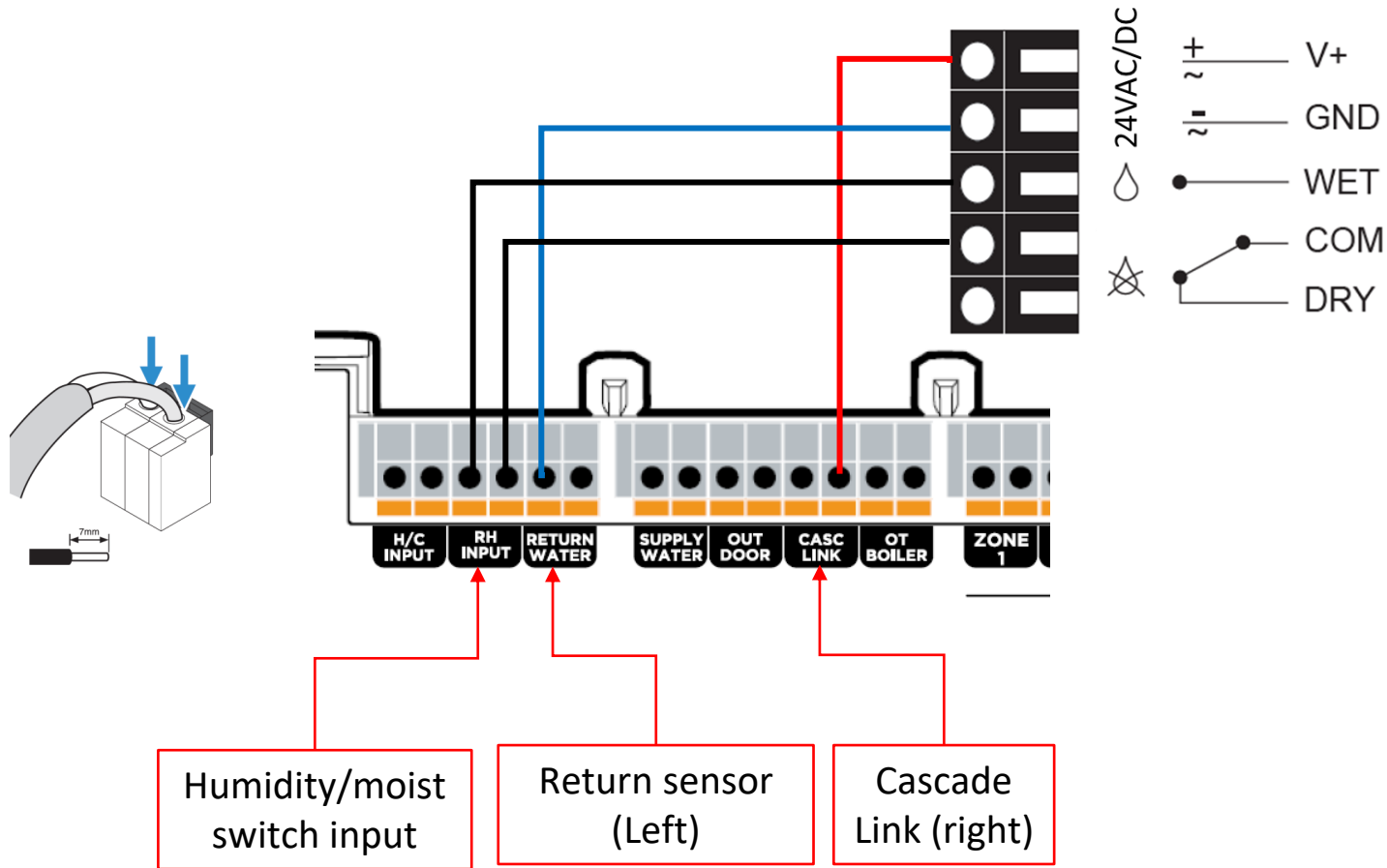
Spring terminals are used for all sensor and appliance control connections

Wiring Sensors

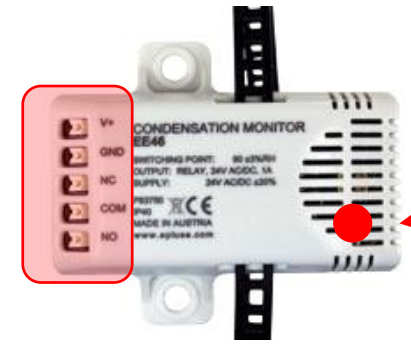


Spring terminals are used for all sensor and appliance control connections

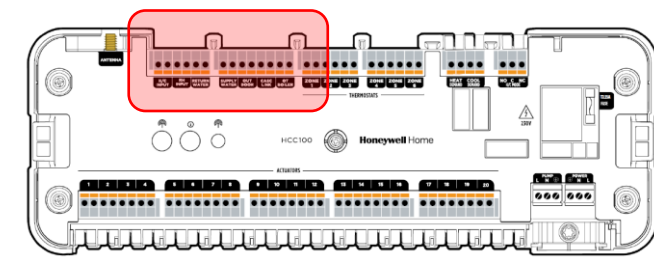
HCC100 Condensation switch wiring



LED ON: no condensation danger
 LED flashes: condensation danger
 LED OFF: power supply off / failure

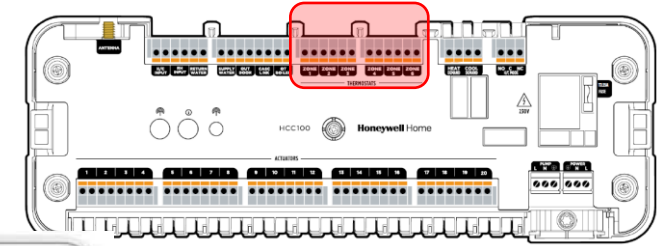


EE046-T11



HCC100

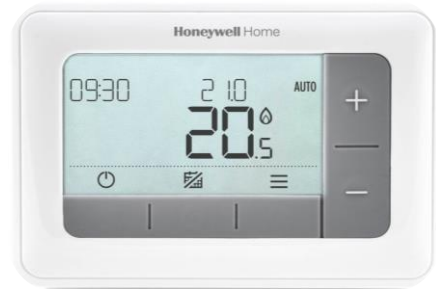
Wired Thermostats



T87M 



DT4M 



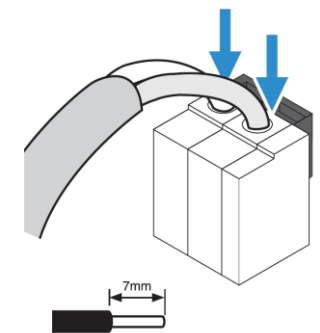
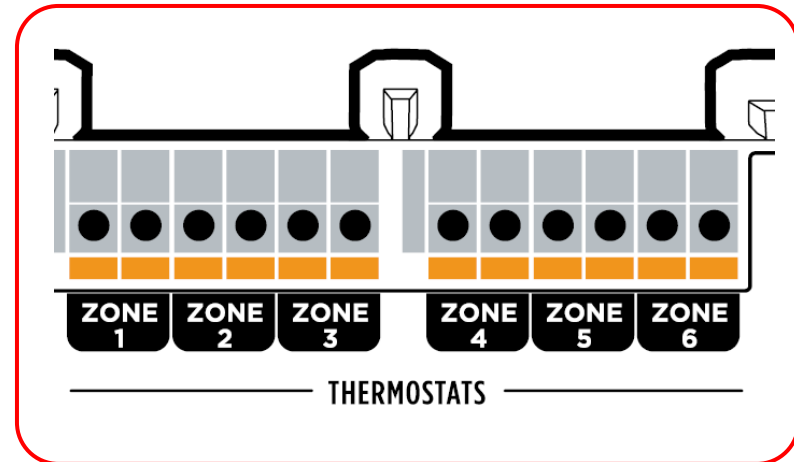
T4M 



T3M 

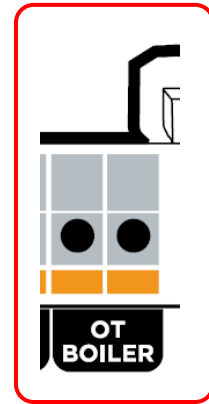
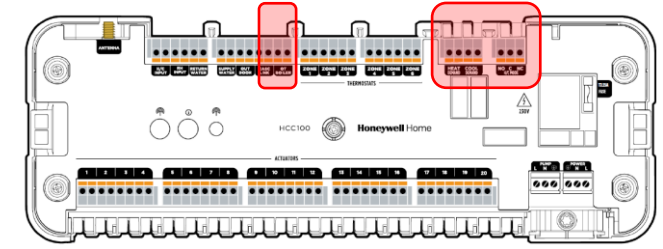
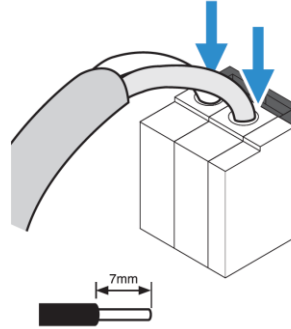


T87HC  

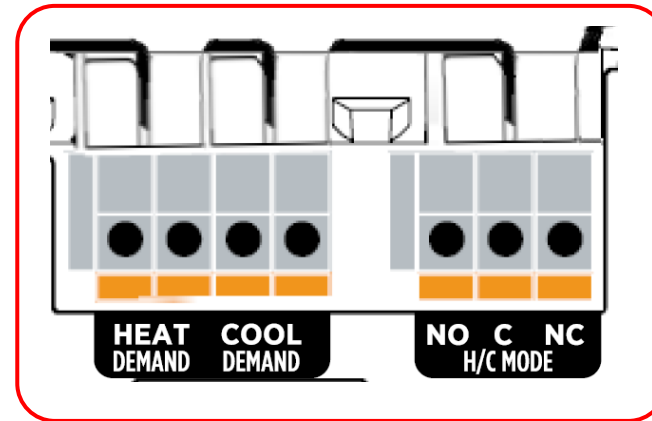


Wired thermostats used with HCC100 can only be OpenTherm communicating thermostats

Wiring Demand

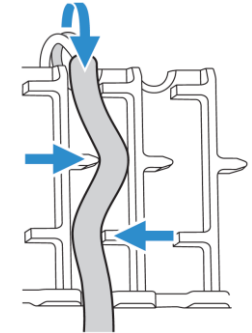


OpenTherm
Appliance



On/off
Appliance

Heat / Cool
changeover



On/Off Demand outputs suitable for also 230V/1A

Wireless Thermostats



T87RF



Only with Evohome

DT92

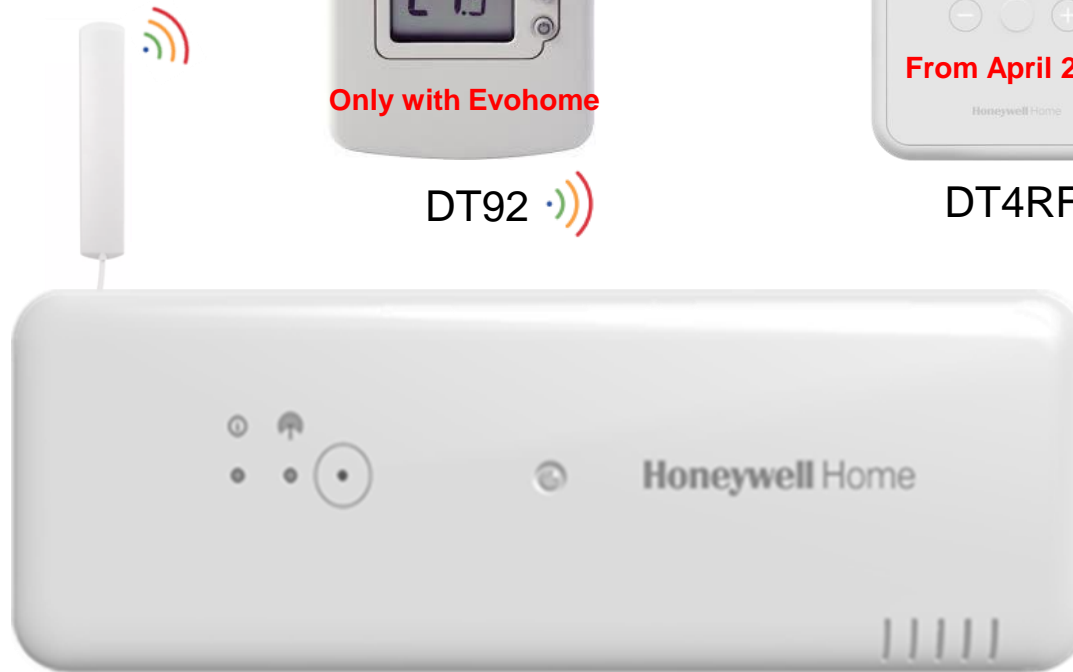


From April 2023

DT4RF



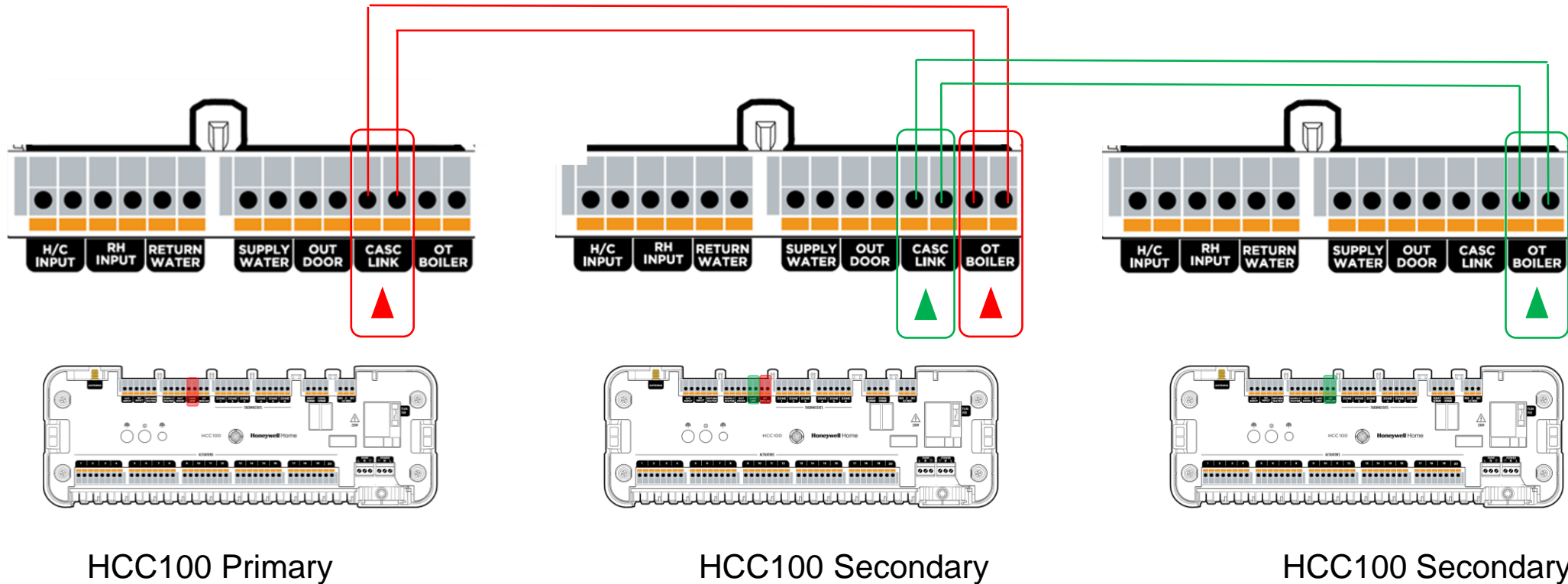
evohome integrated temperature sensor



HCC100

HCC100 can be also used with evohome

Cascading System (Also Wireless Possible)



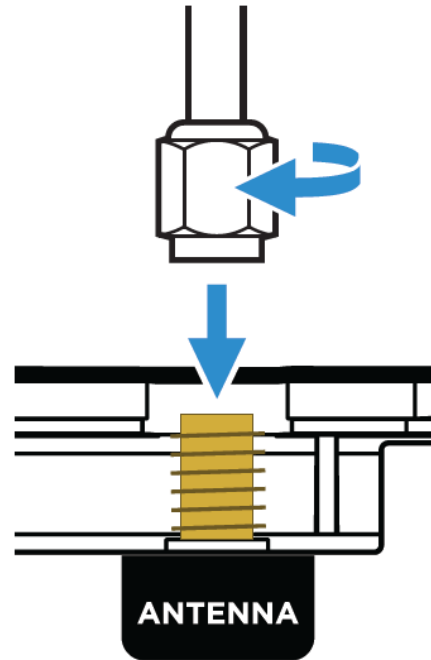
Note: wired cascading is auto-detected

Up to 3 HCC100 controllers can be cascaded into one system

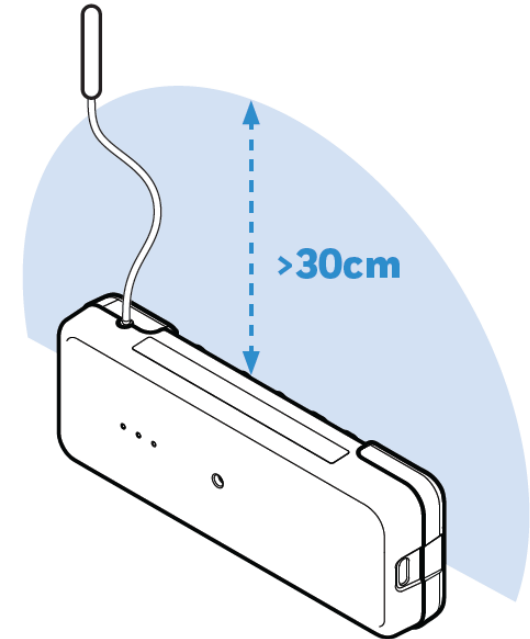
Install the Antenna



Find a suitable location to mount the antenna



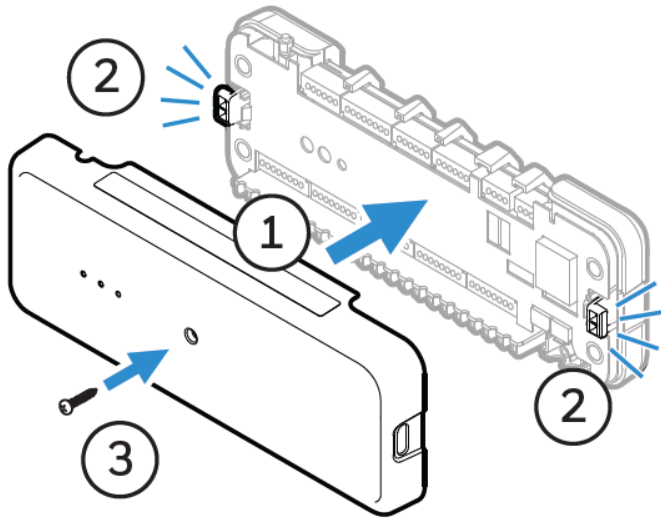
Screw the antenna cable onto the SMA connector



Antenna must be at least 30 cm away from the controller

The antenna MUST be at least 30 cm away from metal objects

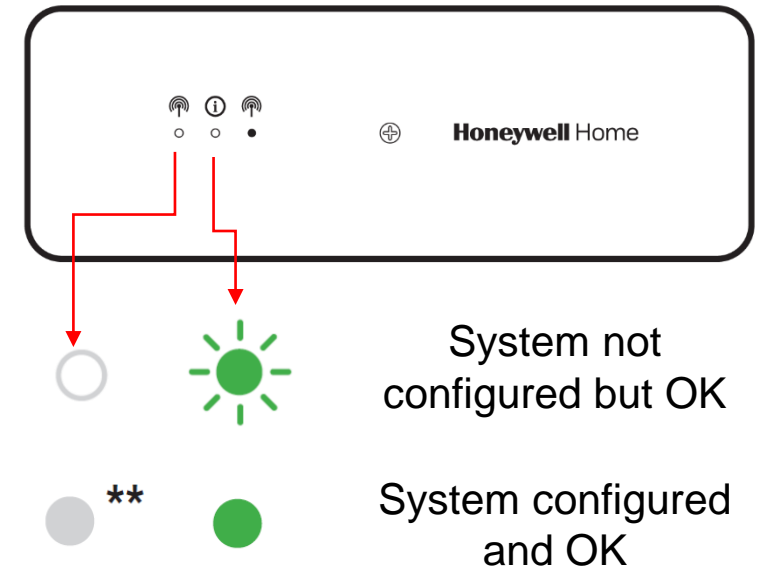
Replace Cover and Power Up



Replace front cover



Switch power back on



Check configuration

Download and register the RPRO app to configure a new installation

Create a Zone Plan

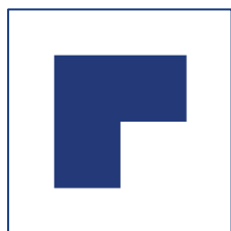
Zone	Zone Name	Thermostat Location	Wired or Wireless	Acctuator Output
1	Kitchen	Table Stand	Wireless - DT92	Outputs 1, 2, 3
2	Living Room	Wall Mounted	Wired - T87HC	Outputs 4, 5, 6
3	Dining Room	Wall Mounted	Wired - T4M	Outputs 7, 10, 12(Master Zone)
4	Bathroom	Wall Mounted	Wired - T87M	Outputs 8 and 9
5	Bedroom 1	Wall Mounted	Wireless - T87RF	Output 11
6	Bedroom 2	Wall Mounted	Wireless - T87RF	Output 13
7	Hallway	Table Stand	Wireless - DT92	Output 18 and 19
8				

Create a zone plan and list the actuator outputs that you want each zone to control



Resideo Pro App

Create a Resideo Pro Account



Download the Resideo Pro App

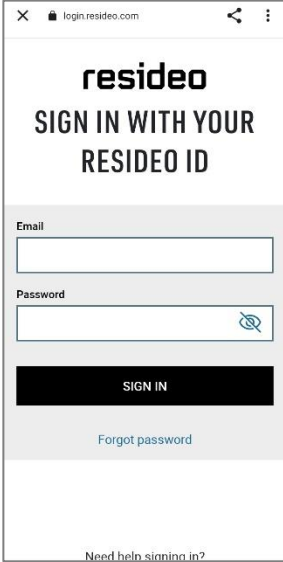
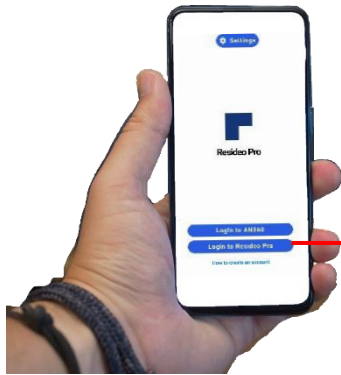


Create an account

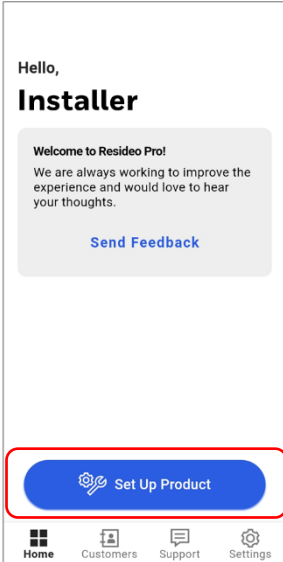
Download, install and register the Resideo Pro App before you start the installation!

Be aware: HCC100 can be configured only by using Resideo Pro App!

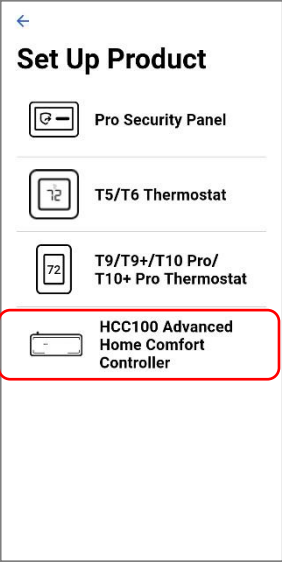
Connect HCC100 to Resideo Pro App




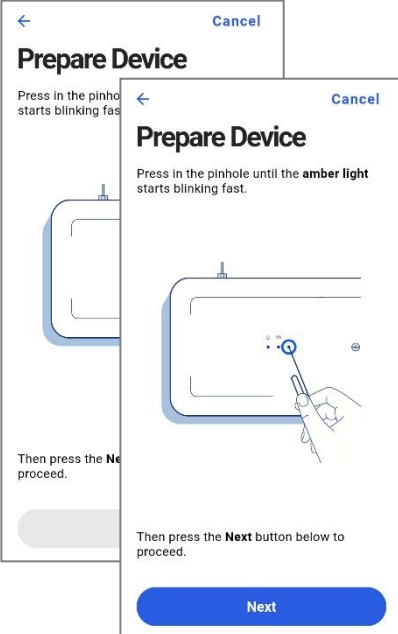
Log into account



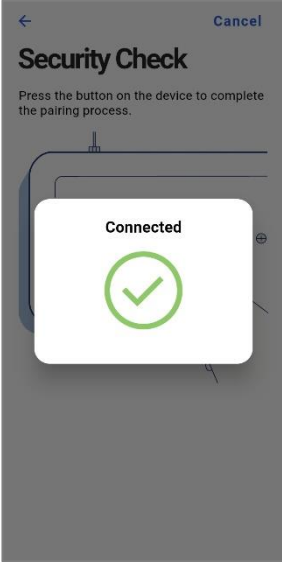
Select Set Up Product




Select HCC100



Select HCC100

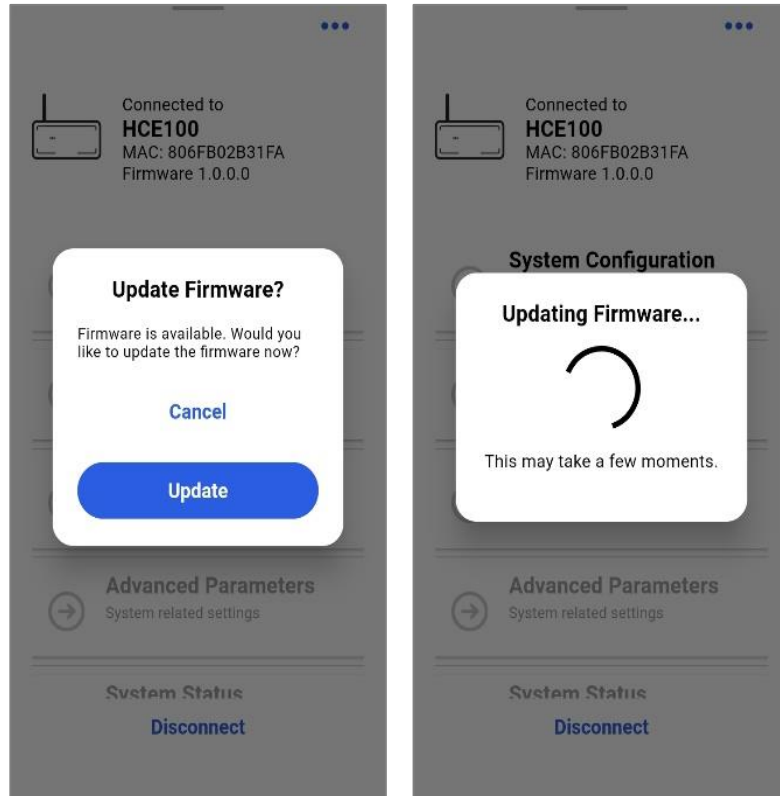


Wait for confirmation



On your smart phone, switch Bluetooth ON

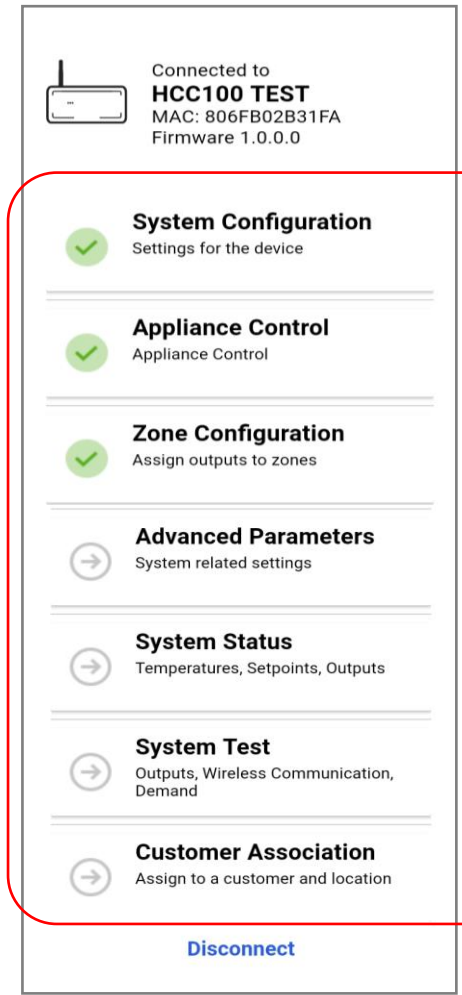
Firmware Update



In the case of a newer firmware version, the app will automatically pop up a message to update the device firmware.

An automatic firmware check will take place.

Overview of the Set-up Routine



Step by step through the guided, self explaining and user-friendly set-up menu.

Starting with **System Configuration** to **Customer Association**.

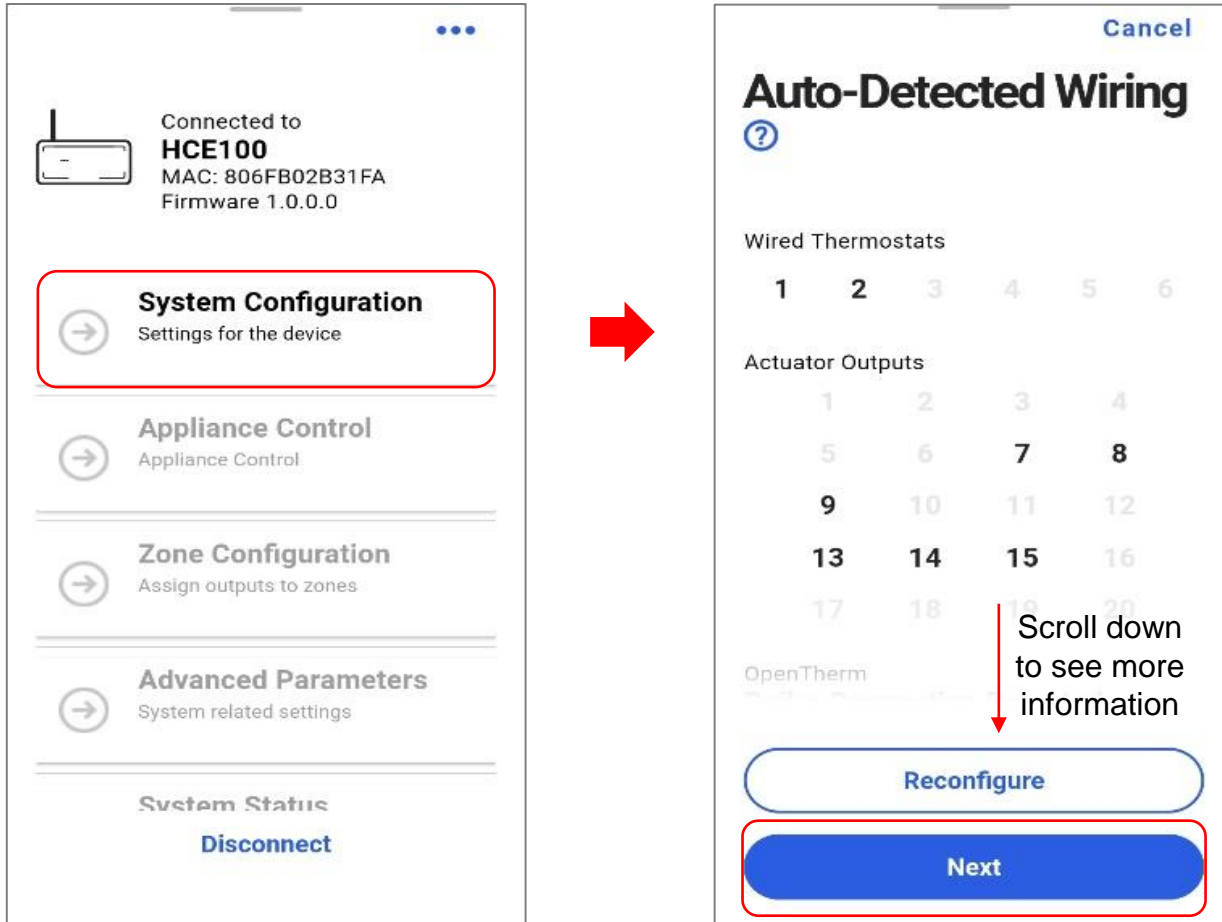
When a section is done a green check appears ✓

Then it moves the next section.



System Configuration

System Configuration



The Auto-Detect Wiring screen indicates all connected wired zone thermostats, actuators, OpenTherm boiler, and cascade device are wired into the HCC100-controller.

In case anything is missing, select **Reconfigure** and review wiring!

System Configuration

System Name
Enter a name for this system

HCC100 TEST

Give the system a name (only used in app).

Evohome
Is an Evohome Thermostat connected?

Yes

No

Select **Yes** if your system includes an evohome controller and is already installed (see "System configuration with evohome" chapter)

System Type

Heat Only

Heat and Cool *

Cool Only

Select the type of system you want to configure.
*When selecting Heat and Cool, the next step is Heat/Cool changeover selection (see later)

Thermo-Actuator ?

Normally Open

Normally Closed

Select the actuator type:
Normally open: opens the heating circuit when power is not present.
Normally closed: opens the heating circuit when power is present.

System Configuration - Heat / Cool Changeover Options

System Type

Heat Only

Heat and Cool

Cool Only

When Heat and Cool in System Type is selected, choose a way to change the control mode from heating to cooling and vice versa.

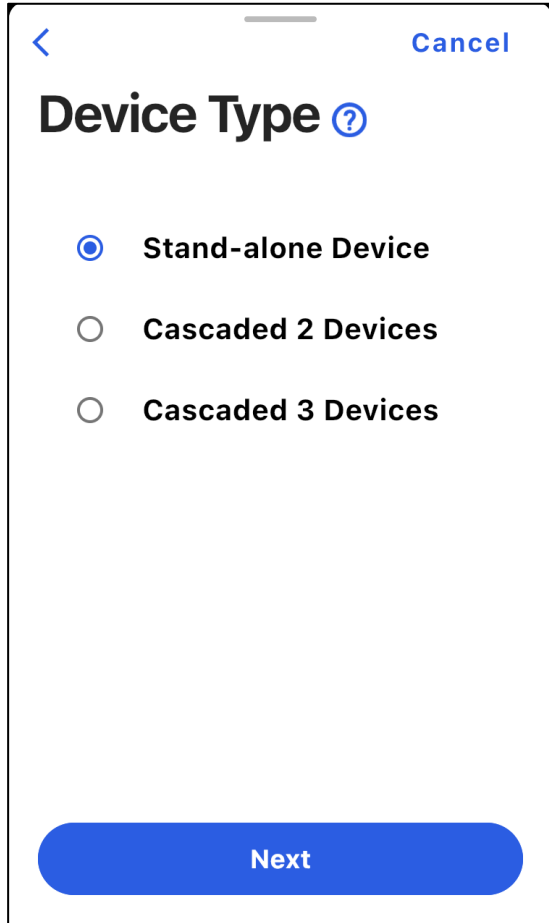
Changeover ?

How is heat / cool mode controlled?

- A. External heat / cool input used
- B. Heat / cool mode output used
- C. Heat / cool mode via Evohome
- D. Heat / cool mode via wireless module

- A. Using an external on/off contact (e.g. from heat pump) to switch the HCC100 controller from heating to cooling and vice versa.
- B. Use the HCC100 Heat/Cool relay output to switch the appliance or system from heating to cooling and vice versa.
- C. Using the Heat/Cool System mode to switch the HCC100 controller from heating to cooling and vice versa.
- D. Use a BDR91T relay module to switch the appliance or system from heating to cooling and vice versa.

System Configuration

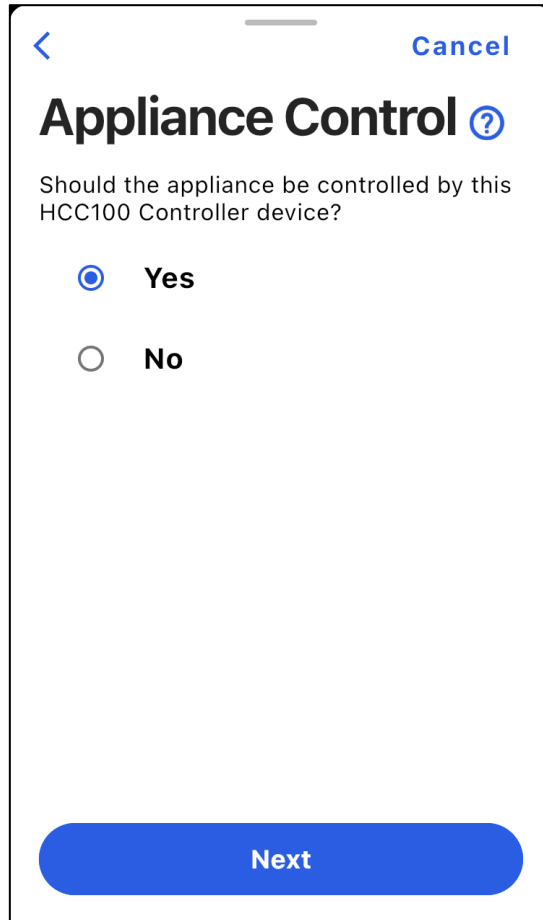


Next slide

You can connect up to 3 HCC100 controllers in cascade to unify demand signal and pump control. Make here a selection when using multiple controllers in wireless cascading, these must be interconnected via wirelessly binding.

note: Do NOT select when using **wired** cascading, this will be auto-detected.

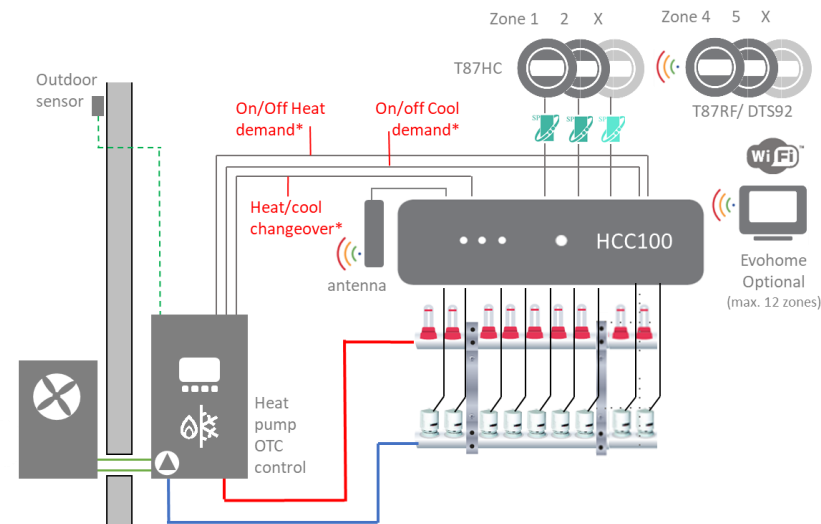
System Configuration – Appliance Control



Next slide

Select „Yes“ when the controller needs to control an appliance according to the demands of the various zones.

Note: If evohome is going to control the appliance, you must select **No**. Next steps in “Appliance configuration with evohome”. In case your system is underfloor only, we recommend appliance control by HCC100.



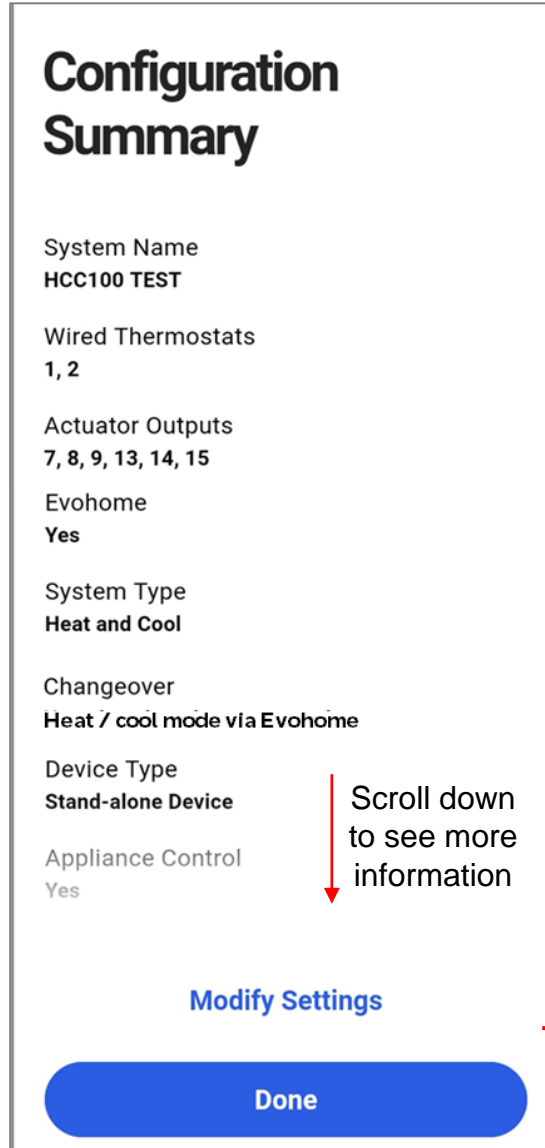
Application example

System Configuration

Verify that the configuration shown is correct.

If yes, press **Done**.

If not, press **Modify Settings** to navigate to the different options.



Configuration Summary

System Name
HCC100 TEST

Wired Thermostats
1, 2

Actuator Outputs
7, 8, 9, 13, 14, 15

Evohome
Yes

System Type
Heat and Cool

Changeover
Heat / cool mode via Evohome

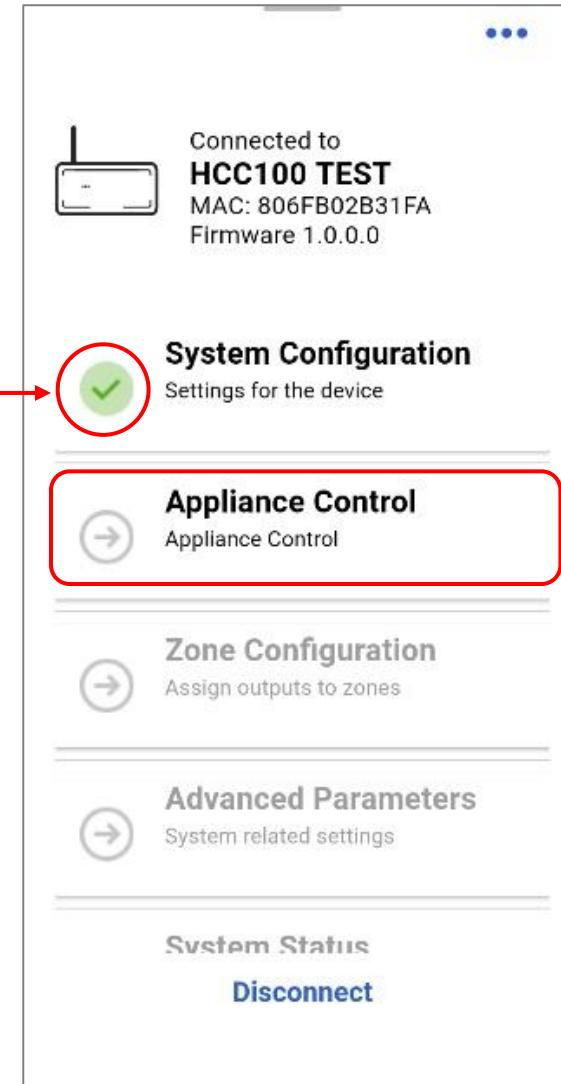
Device Type
Stand-alone Device

Appliance Control
Yes

Scroll down to see more information

Modify Settings

Done



Connected to
HCC100 TEST
MAC: 806FB02B31FA
Firmware 1.0.0.0

System Configuration
Settings for the device

Appliance Control
Appliance Control

Zone Configuration
Assign outputs to zones

Advanced Parameters
System related settings

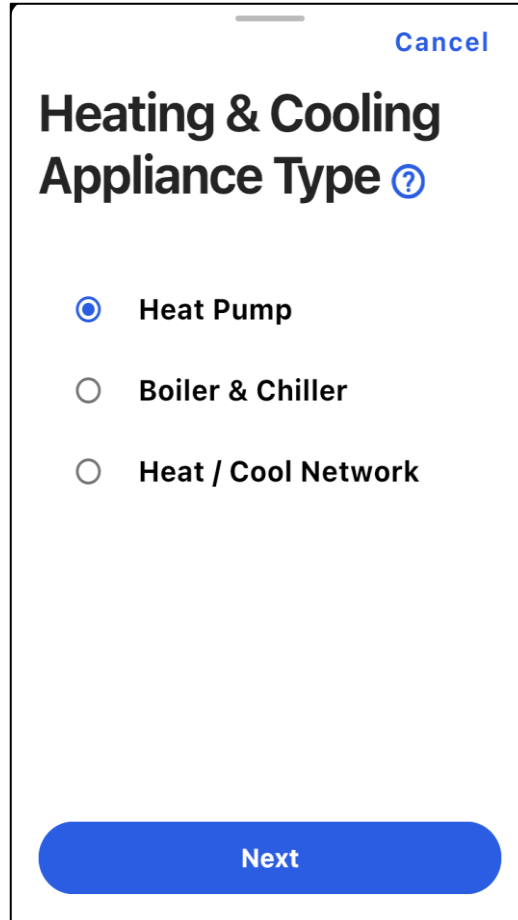
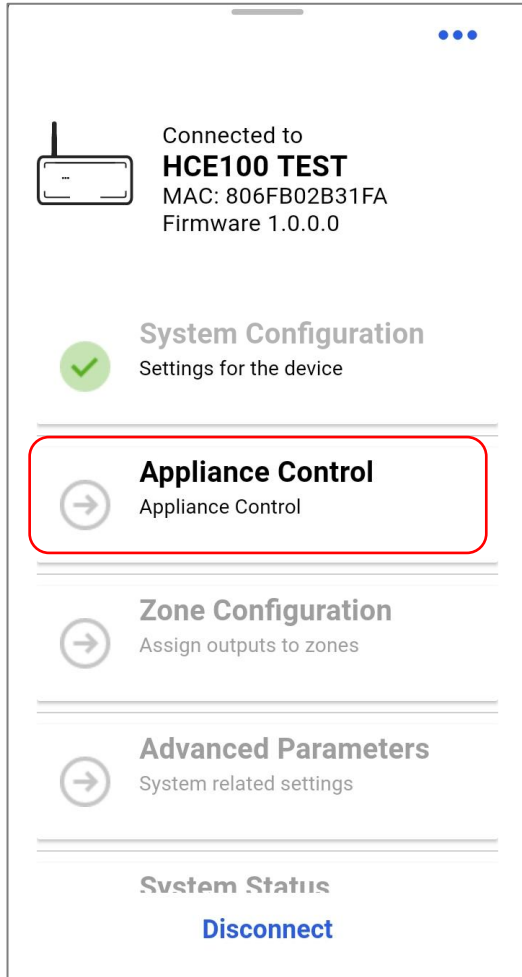
System Status
Disconnect

Now start to set up **Appliance Control**.



Appliance Control

Appliance Control – Appliance Type

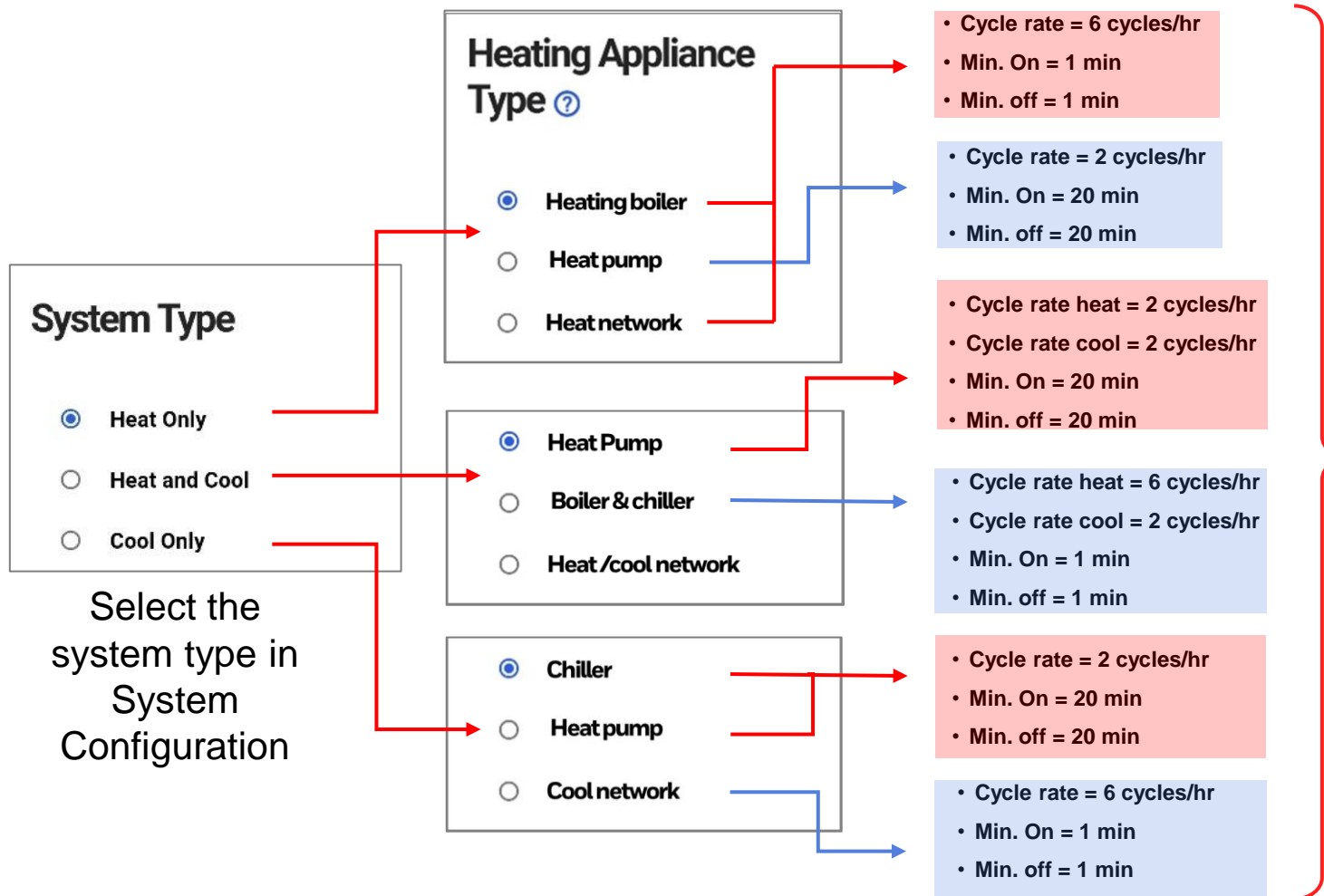


Select the type of appliance which needs to be controlled by the controller. This setting adjusts the advanced parameters for the appliance type.

Note: The appliance type selection depends on the system type.

Appliance Control – Appliance Type Options

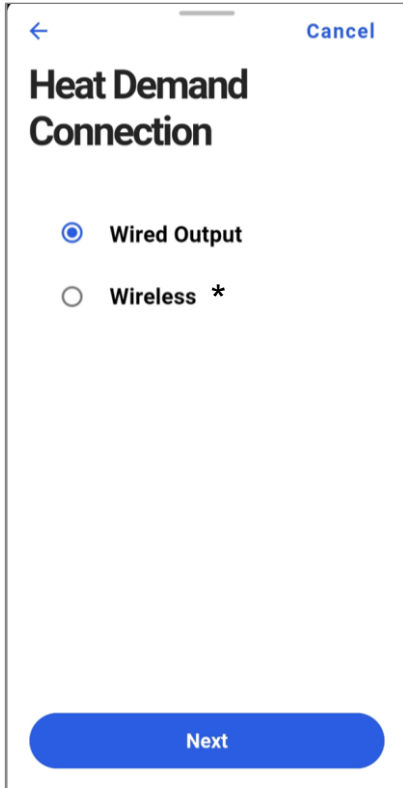
Appliance control options are depending on the system type selection in “System Configuration”.



Selecting the appliance type will also adjust some of the control settings, like “Cycle rate” and “Min. On/off times”.

When needed these can be adjusted in the Advanced Parameters menu later.

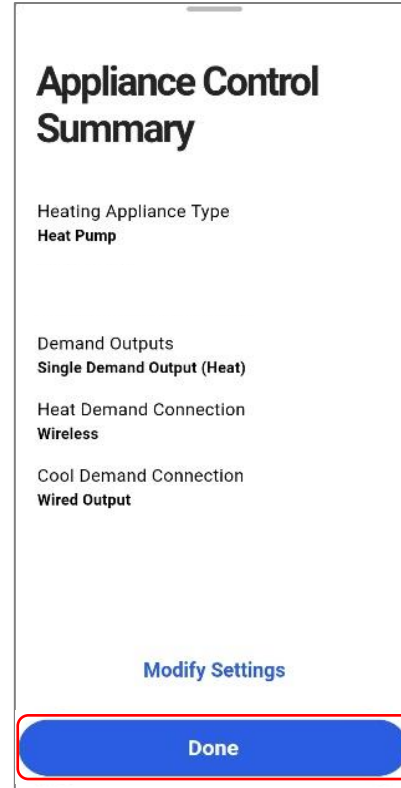
Appliance Configuration - Heat Only (continued)



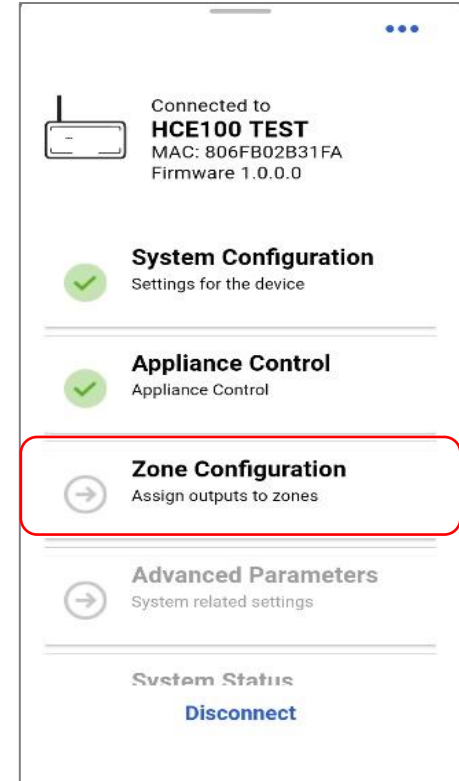
Select **Wired Output** if you are wiring the heat relay output with the appliance.

Select **Wireless** when the demand control cannot directly be wired and will be done wirelessly using a BDR91T.

* Wireless option see next slide

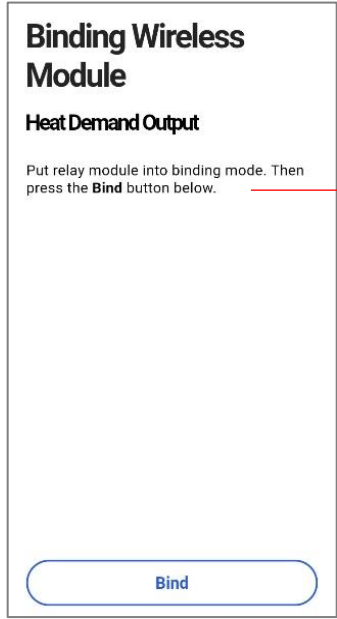
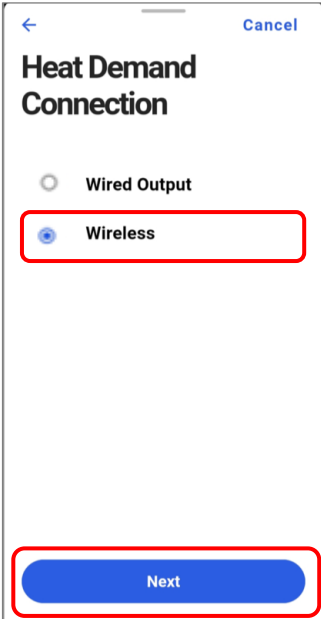


Check that configuration is correct.

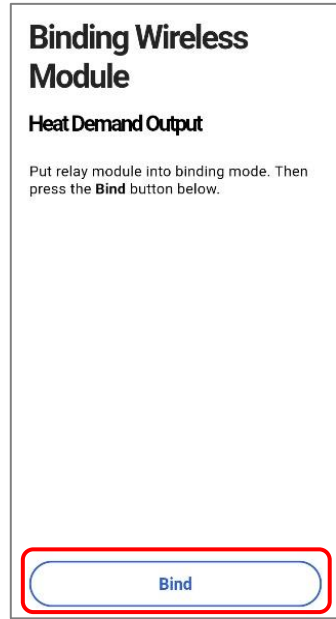


Appliance Control configuration is done, now start Zone Configuration.

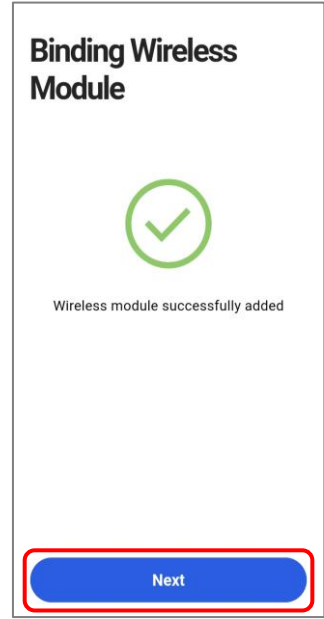
Appliance Control – Binding Wireless Demand Outputs



Activate binding on the relay module.



Now press **Bind** to send the bind message.



Binding was successful



Note: The wireless option is also available for Cool Demand and has the same order.

Appliance control with wireless heat demand output

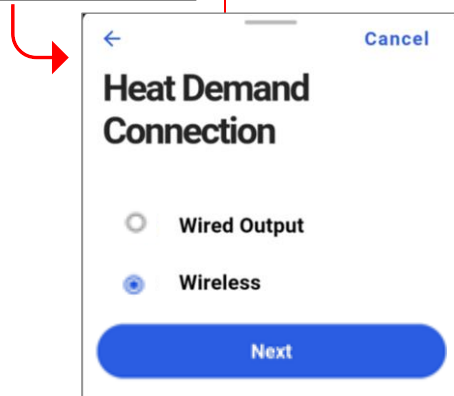
Appliance Configuration – Heat and Cool



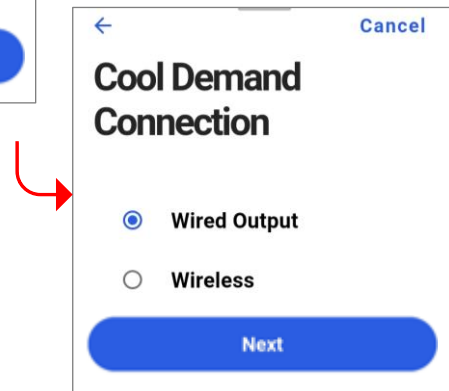
Selection how the demand is switching the appliance.

Select **Heat and Cool Demand Outputs** when the appliance has separate heat and cool demand inputs.

Select **Single Demand Output (Heat)** when the appliance has a single demand input and heat/cool mode input.

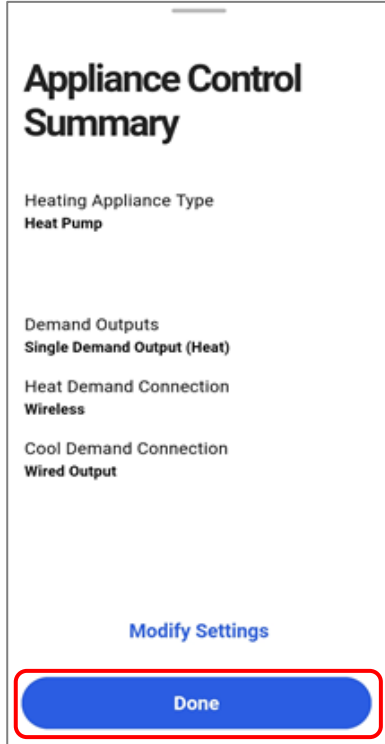


Select how the heat demand output is connected to the appliance.

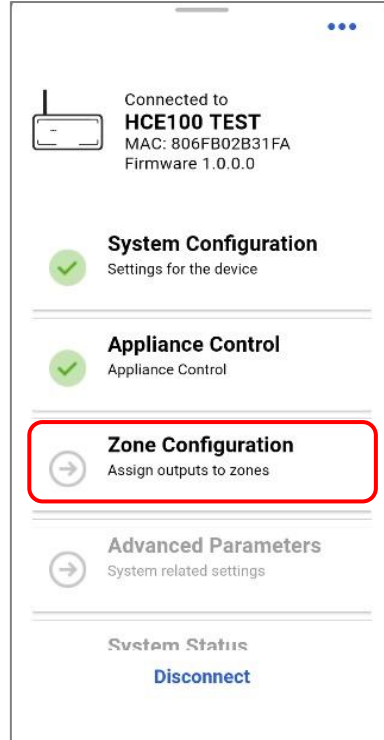


Select how the cool demand output is connected to the appliance.

Appliance Configuration – Heat and Cool (continued)



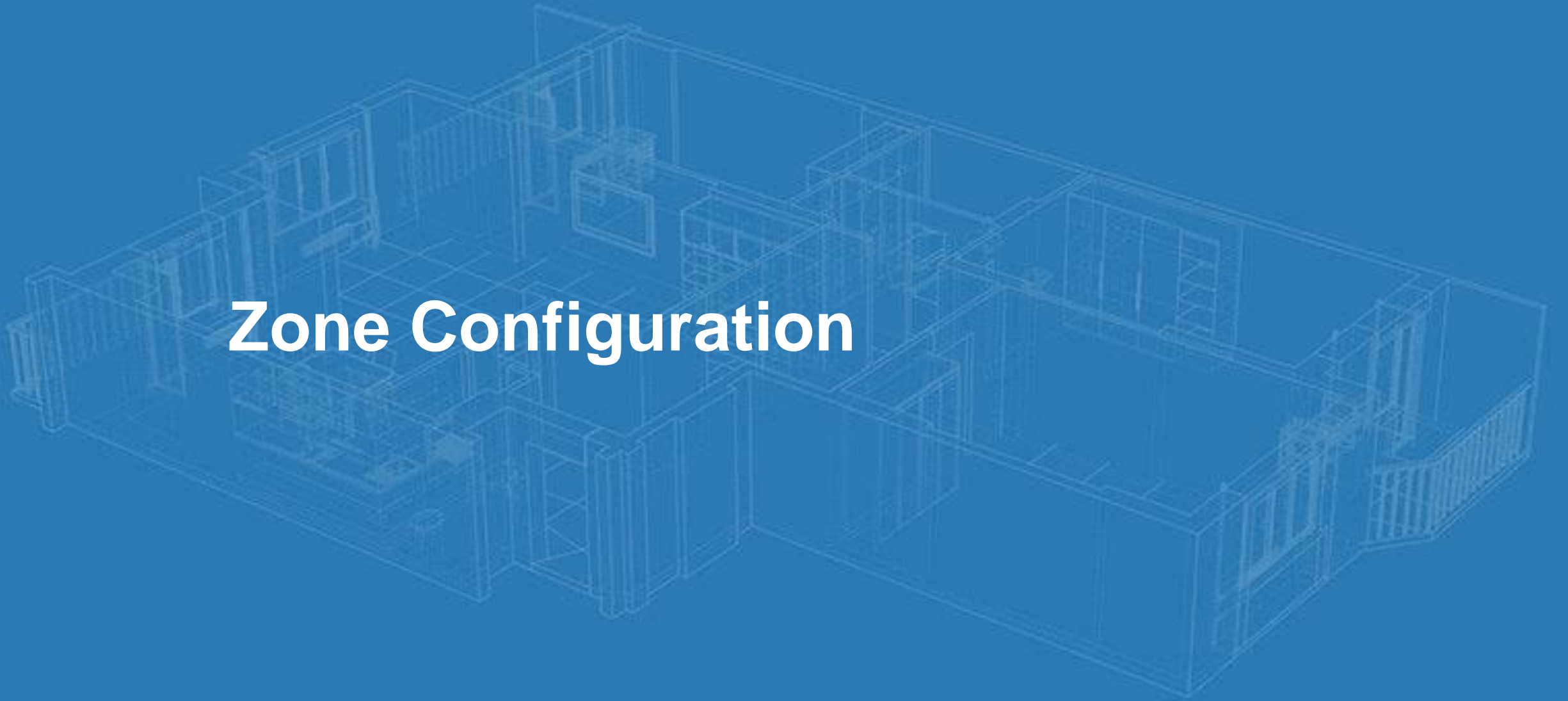
Verify the configuration.



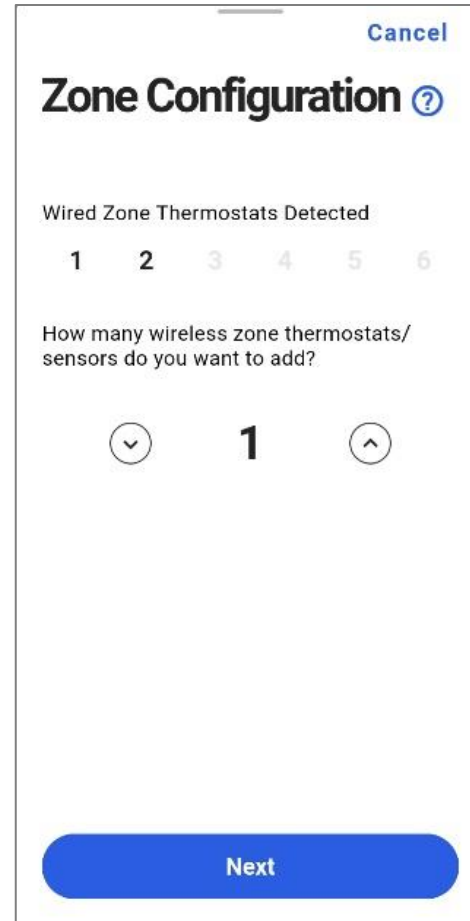
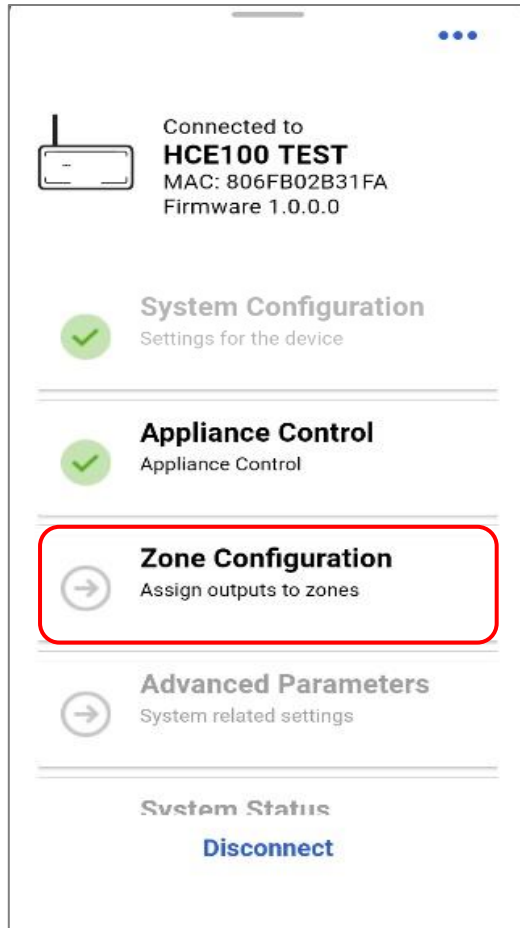
Appliance Control configuration is done, now start Zone Configuration.

Heat pump installation with wireless heat demand and wired cooling demand

Zone Configuration



Zone Configuration – Number of Zones



This screen shows the connected wired zone thermostats and asks to select the number of additional wireless zones. Up to a maximum of 8 zones can be configured.

When using evohome and the internal sensor this is counted as a wireless zone thermostat.

Zone Configuration – Actuator Output Selection

Cancel

Outputs ?

Select the outputs included in **Zone 1**.

<input checked="" type="checkbox"/> 1	<input type="checkbox"/> 2
<input type="checkbox"/> 3	<input type="checkbox"/> 4
<input type="checkbox"/> 5	<input type="checkbox"/> 6
<input checked="" type="checkbox"/> 7	<input type="checkbox"/> 8
<input type="checkbox"/> 9	<input type="checkbox"/> 10
<input type="checkbox"/> 11	<input type="checkbox"/> 12
<input type="checkbox"/> 13 (Zone 3)	<input type="checkbox"/> 14
<input type="checkbox"/> 15	<input type="checkbox"/> 16
<input type="checkbox"/> 17	<input type="checkbox"/> 18

Next

Free selection of the actuator outputs which belong to the zone.

- Output available
- Output already assigned to a Zone
- Output assigned to current Zone
- No actuator detected

Outputs can be reassigned via editing the zones.

Zone Configuration – Wired Zones

Cancel

Zone Configuration ?

Wired Zone Thermostats Detected

1 2 3 4 5 6

How many wireless zone thermostats/sensors do you want to add?

1

Next

Select the number of wireless zones

Cancel

Outputs ?

Select the outputs included in Zone 1.

<input type="checkbox"/> 1	<input type="checkbox"/> 2
<input type="checkbox"/> 3	<input type="checkbox"/> 4
<input type="checkbox"/> 5	<input type="checkbox"/> 6
<input checked="" type="checkbox"/> 7	<input type="checkbox"/> 8
<input checked="" type="checkbox"/> 9	<input type="checkbox"/> 10
<input type="checkbox"/> 11	<input type="checkbox"/> 12
<input type="checkbox"/> 13	<input type="checkbox"/> 14
<input type="checkbox"/> 15	<input type="checkbox"/> 16
<input type="checkbox"/> 17	<input type="checkbox"/> 18

Next

Select the actuator outputs for Zone 1

Cancel

Name

Select a name for Zone 1.

Living Room

Kitchen

Bedroom

Custom Name

Next

Input Zone 1 name

Cancel

Zone1

Name
Living Room

Outputs
7 9

Parameters
Heat and Cool
Standard Thermostat

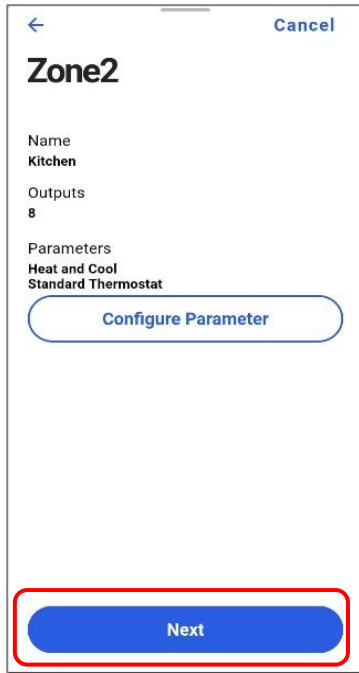
Configure Parameter

Next

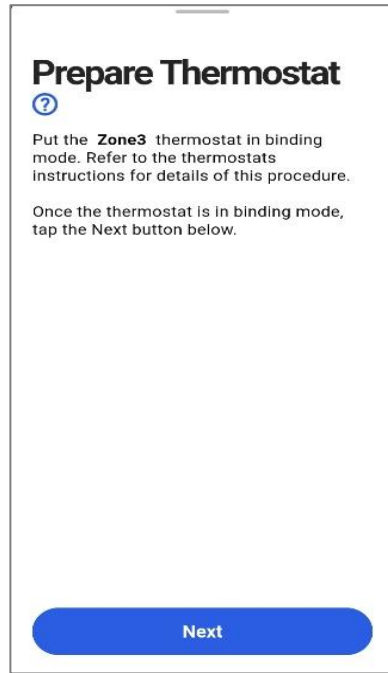
Select **Next** when Zone 1 is correct.

Wired thermostat options include T87M, T87HC, T3M and T4M

Zone Configuration – Wireless Zones



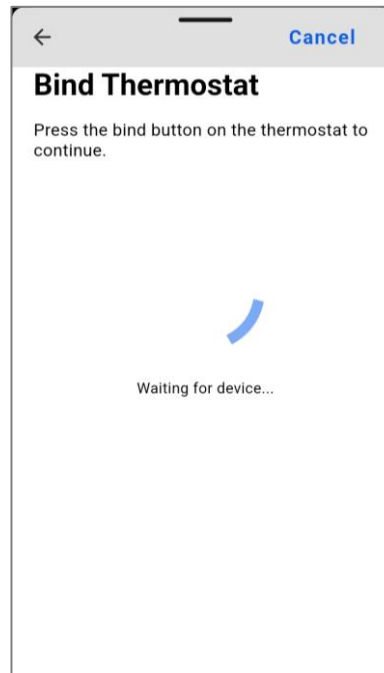
Last wired zone (2) correct



Wireless thermostat for Zone 3



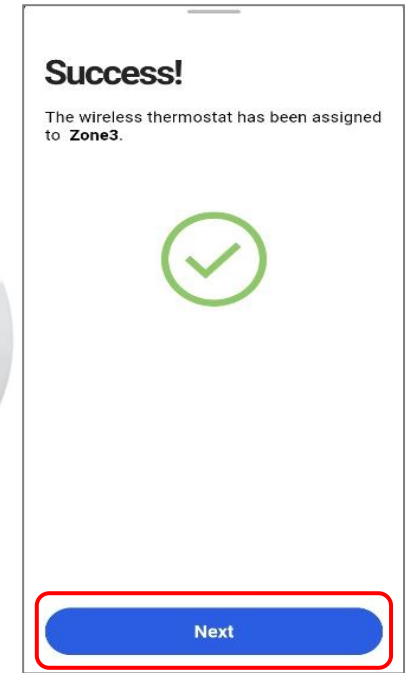
Activate binding mode Round RF and 'Co' binding. Now press **Next**.



HCC100 waiting for bind message



Send bind message

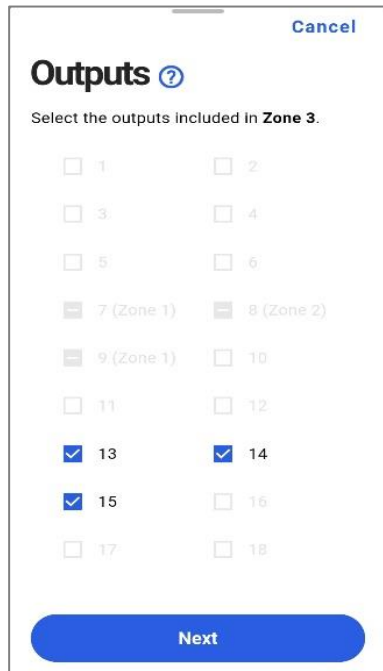


Bind message received

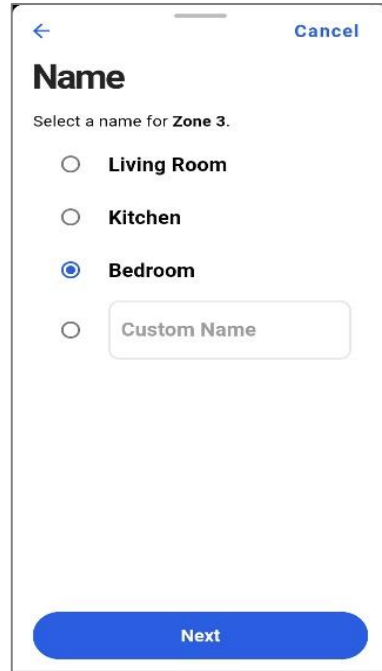
Wireless thermostat options include T87RF and DTS92

Note: DT92 from 2023!

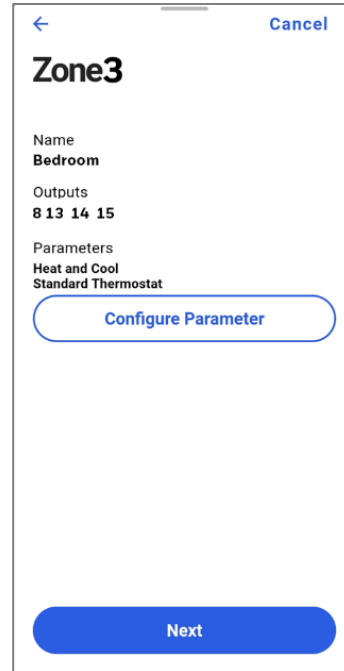
Zone Configuration – Wireless Zones (continued)



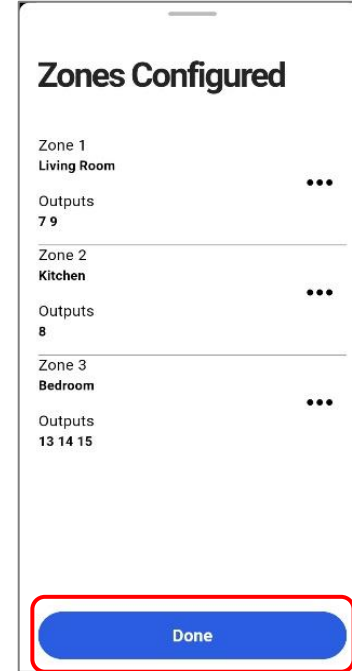
Select actuator outputs for Zone 3



Input Zone 3 name.



Select **Next** when Zone 2 is correct



When all actuators are assigned and a wireless zone is not set up yet, this screen is shown.

Zone Configuration - Configuration Parameters

Zone Parameters

Zone Function ?

Heat and Cool

Heating Maximum

35° C

Heating Minimum

5° C

Cooling Minimum

5° C

Cooling Maximum

35° C

Master Function ?

Standard Thermostat

Zone Function: Select if the zone is **Heat only** (e.g. bathroom), **Cool only**, or **Heat and Cool** (system type dependent).

Heating limits for this zone.

Cooling limits for this zone.

Master Function: Selection of the zone is the “Master Thermostat” thermostat and determines the comfort/eco mode as well as the heat/cool changeover, depending on heat/cool changeover setting

Zone Configuration - Master Zone

Zone Parameters

Master Function ?

Standard Thermostat

Master Thermostat

Save

Master Zone Function:

1. When the setpoint of the 'Master Thermostat' goes below the 'ECO limit' (Advanced Parameter), all other zones are set to this 'ECO' setpoint. When the 'Master Thermostat' setpoint goes again above the 'ECO limit', all other zones are set back to their 'old' setpoint.

Changeover ?

How is heat / cool mode controlled?

External heat / cool input used

Heat / cool mode output used

Heat / cool mode via Evohome

Heat / cool mode via wireless module

2. In a system with heating and cooling the Heat/Cool mode changeover can be set by the zone thermostat and this needs to be the 'Master Thermostat'. For this function, the Changeover setting should be 'Heat/Cool mode output used' or 'Heat/cool mode via wireless module'.

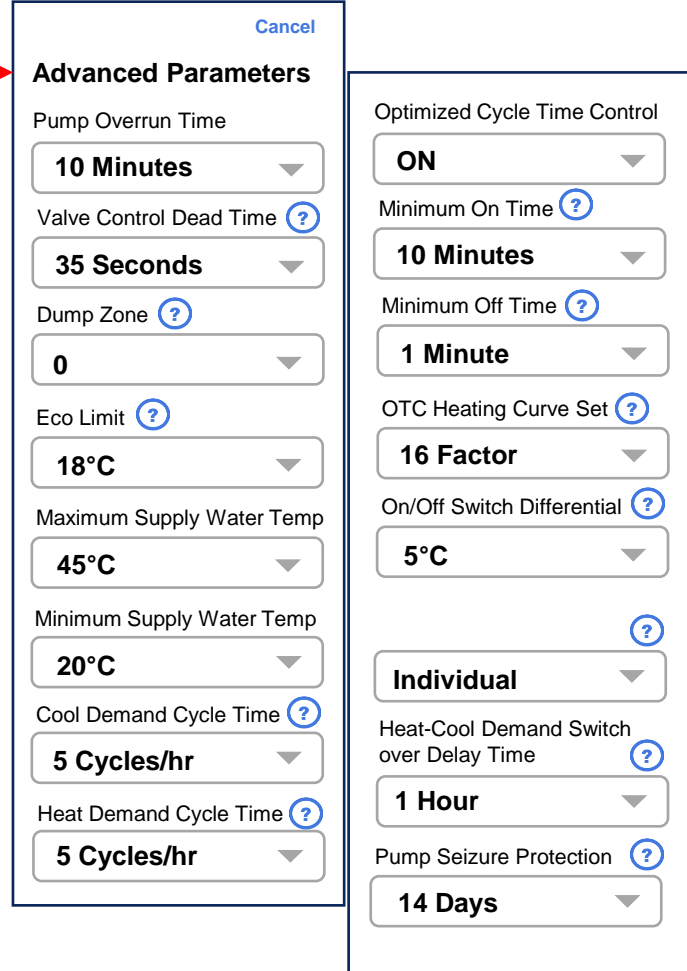
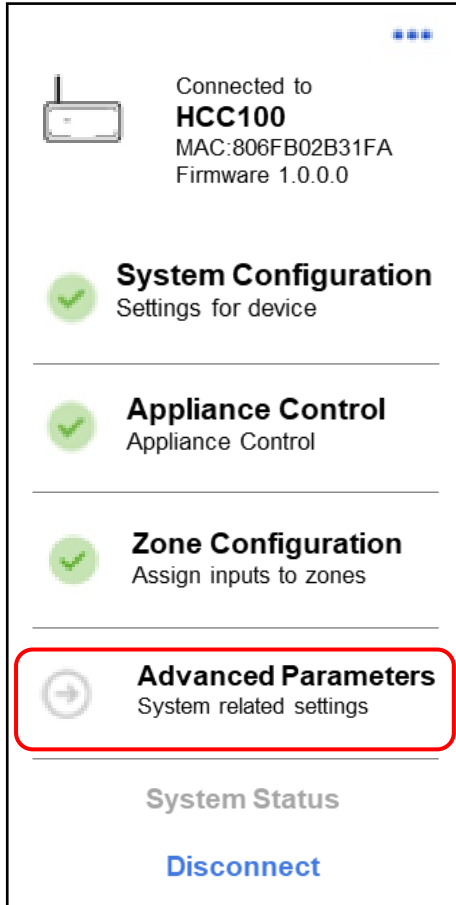
Note: There can only be 1 Master Thermostat in a system



Advanced Parameters

Advanced Parameters

Adjustable application parameters



By adapting the parameters to the respective application, optimum system operation can be achieved.

Advanced Parameters

	Description	Default	Unit	Range	Steps
1	Pump overrun time (and opening dump zone): Duration that the pump runs, and dump zone opened after heat or cool demand.	10	Min.	0-60	5

Delay time before pump switches off after a demand and finish the appliance cycle

2	Valve control dead time: Delay time before demand starts due to the slow open or close time thermal actuators.	35	Sec.	0-240	1
---	--	----	------	-------	---

Delay time on pump and demand to allow thermal actuators to start to open the valve.



3	Dump zone: Zone which is opened during pump over-run time (finish appliance cycle). 0 = zone which had demand remains open.	0		0-8	1
---	--	---	--	-----	---

Select the zone which needs to be opened during pump overrun time and finish the heat/cool demand cycle. When selecting "0" the zone which had demand remains open.

4	ECO limit (changeover value comfort-ECO mode) Setpoint of zone 1 which triggers all zones to change.	18	°C	7-30	1
---	--	----	----	------	---

Setpoint of Master zone which triggers all zones to change to ECO mode (energy saving). Only valid in heating mode!

Advanced Parameters

	Description	Default	Unit	Range	Steps
5	Maximum supply water temperature.	45	°C.	0-90	5
6	Minimum supply water temperature.	20	°C	0-90	5
7	Heat demand cycle time (5 cycles per hour =12min.): Cycle time related to on/off heat demand.	5	Cycles/hr	1-12	1
8	Cool demand cycle time (5 cycles per hour 0 12min.): Cycle time related to on/off cool demand.	5	Cycles/hr	1-12	1
	 <div data-bbox="318 799 1719 863" style="border: 1px solid red; padding: 5px;"> Cycle time related to the appliance heat and cool demand run time (12min. = 5 cycles per hour). </div>				
9	Optimized demand control: On = Longer demand periods, less cycling (heat pump).	1	Min.	1-30	1
	 <div data-bbox="318 999 1719 1092" style="border: 1px solid red; padding: 5px;"> Optimized demand control and heat distribution over the zones to obtain a longer cycle time (for heat pump and high efficiency boiler). </div>				
10	Min. On time: Minimum on time for the demand cycle rate.	1	Min.	1-30	1

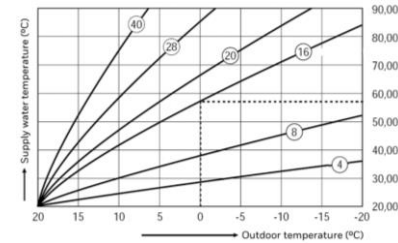
Advanced Parameters

Description		Default	Unit	Range	Steps
11	Min. Off time: Minimum off time for the demand cycle rate.	1	Min.	0-30	1

On time: Minimum duration that the appliance needs to run before switching off.
 Off time: Minimum duration that the appliance needs to be of before switching on again.

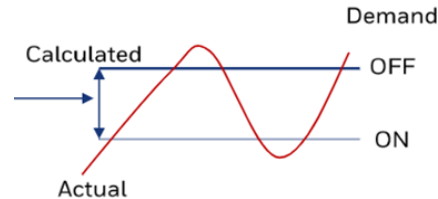
12	Outdoor Temp. Compensation (heat curve setting): Ratio between measured outside air temperature and calculated supply water temperature (0 = OTC disabled).	0	Factor	0-40	1
-----------	---	---	--------	------	---

Heat curve setting for outdoor temperature compensation



13	On/OFF switch differential of supply water temperature during on/off OTC control.	5	°C	1-25	1
-----------	---	---	----	------	---

Switch differential of supply water temperature during On/Off OTC control



Advanced Parameters (examples)

If using an outdoor temperature sensor, the correct OTC heating curve must be set up.

Examples:

If using OTC 16 factor

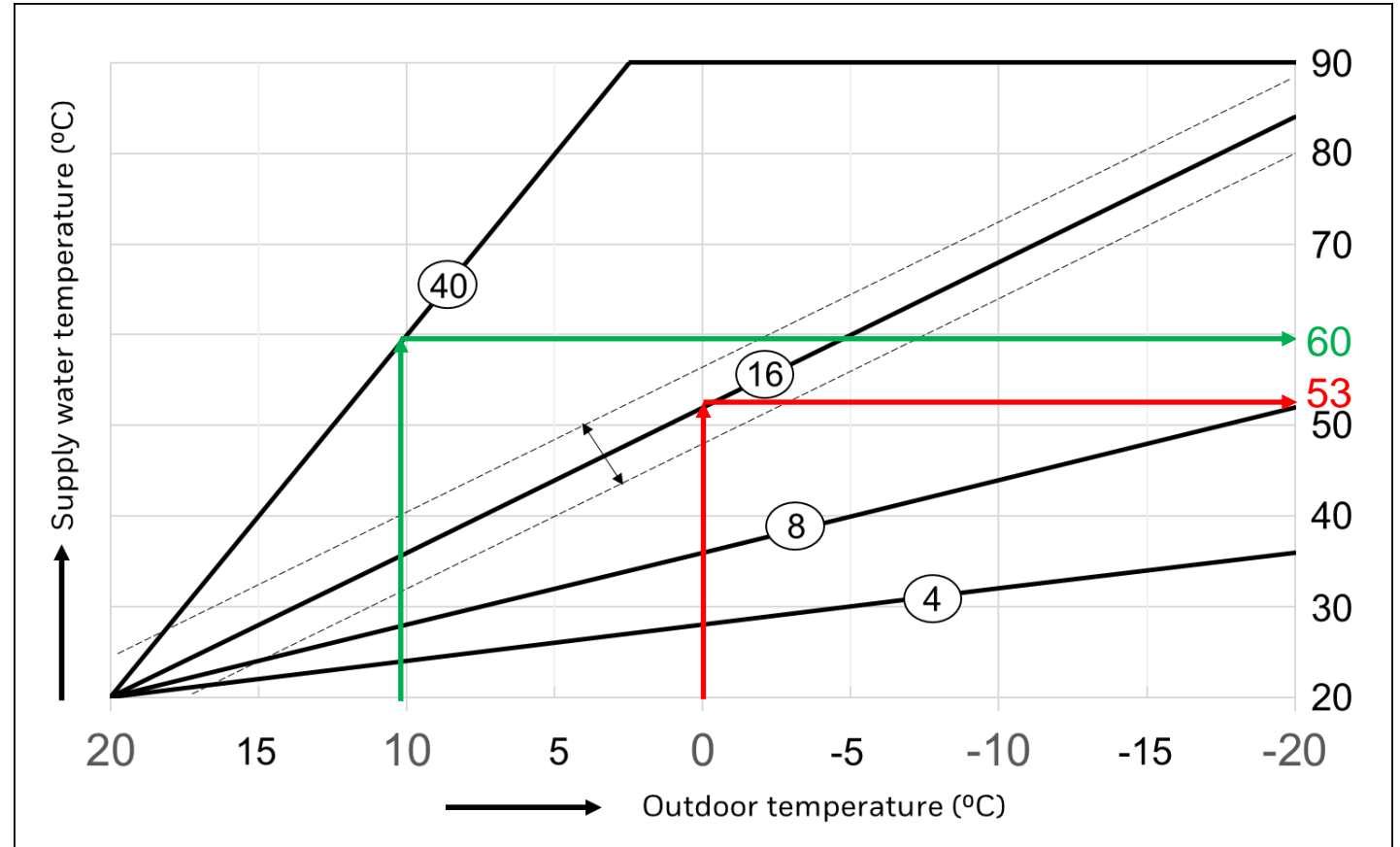
OTC Heating Curve Setting [?](#)

If outdoor temperature is 0°C the supply water temperature is around 53°C

If using OTC 40 factor

OTC Heating Curve Setting [?](#)

If outdoor temperature is 10°C the supply water temperature is around 60°C



On/OFF switch differential of supply water temperature during on/off OTC control: 5°C (default settings, range 1 – 25°)

Advanced Parameters

	Description	Default	Unit	Range	Steps
14	Central or individual pump control	Individual		Central individual	

When cascading multiple controllers, each controller can control its individual pump output, or the the master controller can control a central pump.

15	Heat-Cool demand switch over delay time: Time delay between demand call from heating after cooling or vice versa.	0	Hour	0-24	1
----	---	---	------	------	---

To avoid fast heat/cool mode changeovers and energy wasting a delay time can be set before a changeover can be done. The delay time is timed from the end of the last demand.

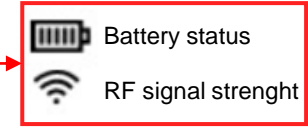
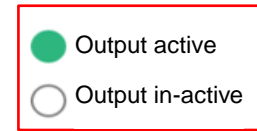
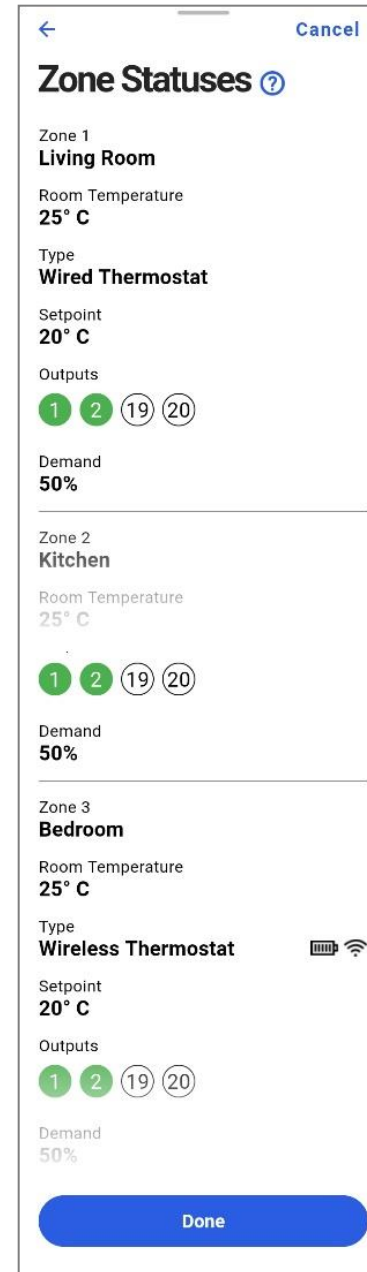
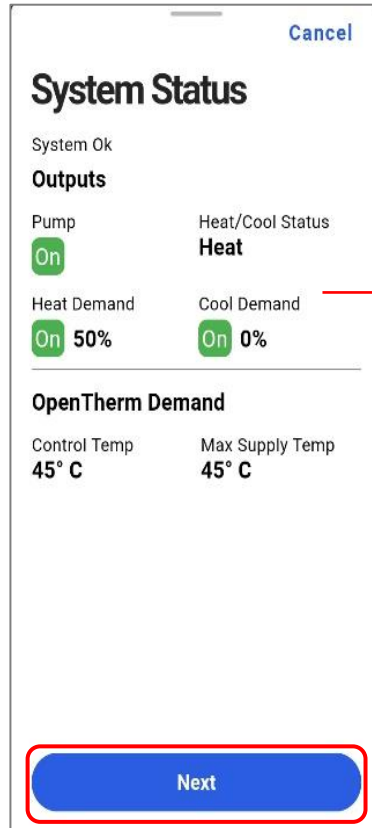
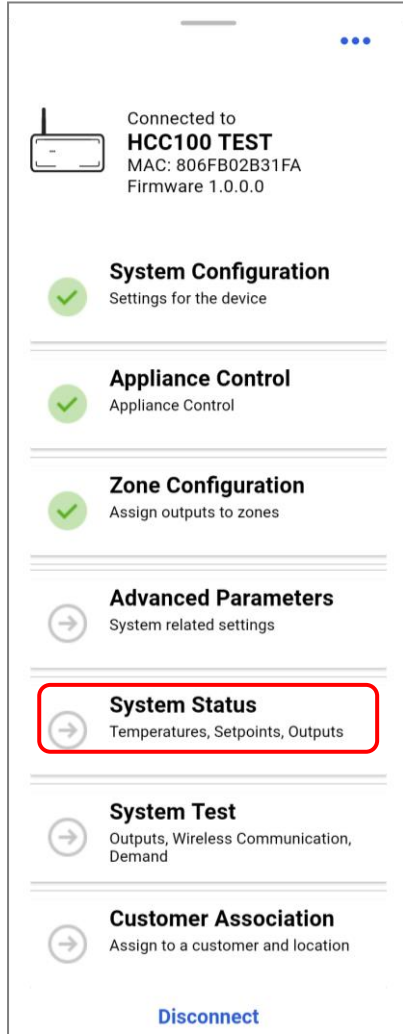
16	Pump seizure protection: Number of days of stand still before pump and actuator outputs will be powered for min. amount of time.	14	Days	0-60	1
----	--	----	------	------	---

To avoid that moving parts lock in place and prevent the system from proper operation after a long period of no demand, the pump and actuators can be operated once every x days before switching on again.

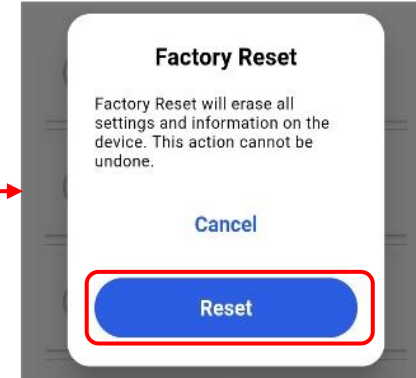
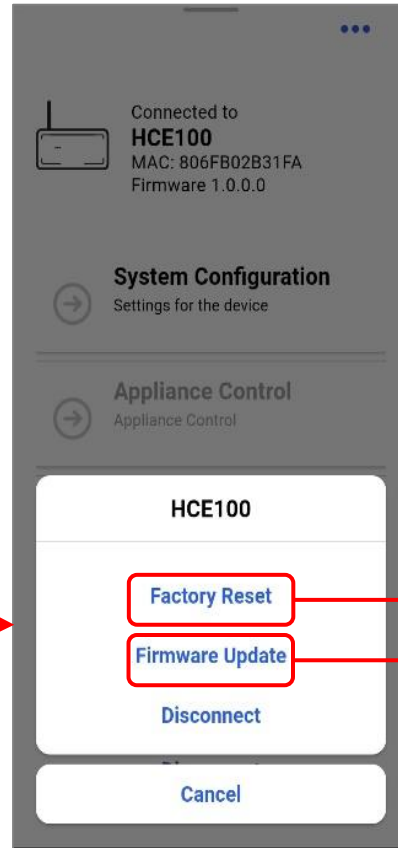
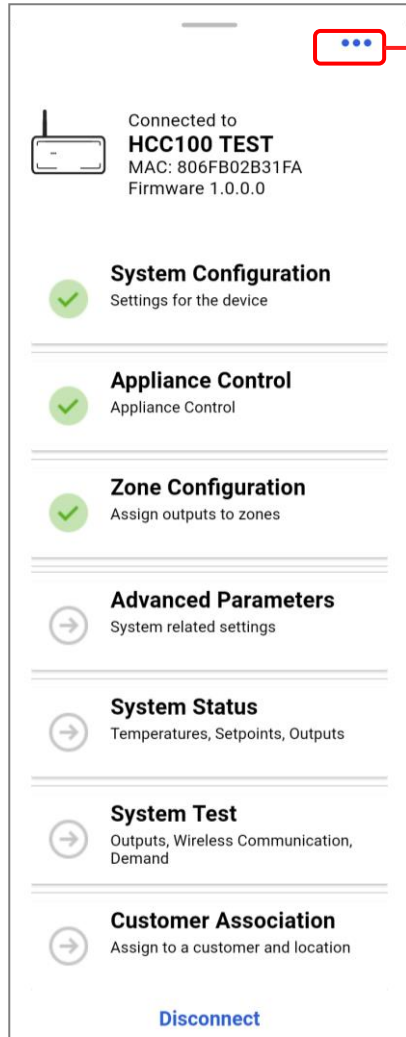


System Status

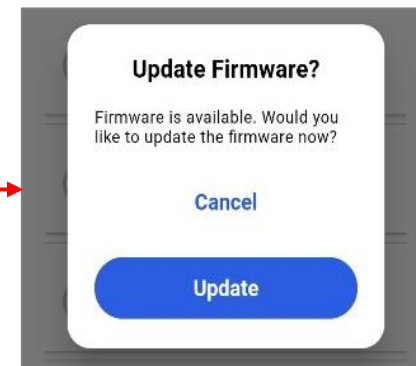
System Status



3-Dot Menu



Reset controller to factory default.
Be aware if you click on “Reset” the entire configuration will be deleted!

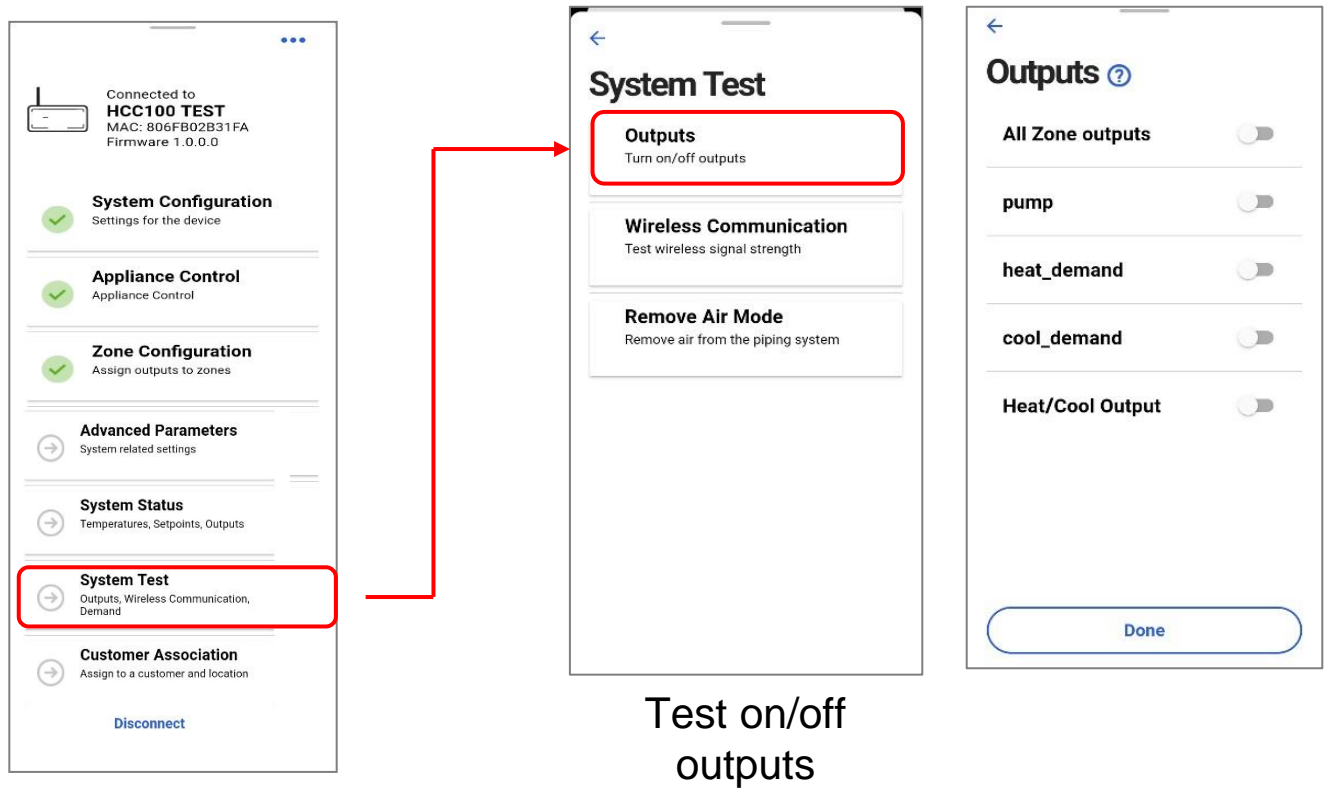


In case of a newer firmware version, you can update the device firmware.



System Test

System Test – Testing Outputs



Select System Test

Test on/off outputs

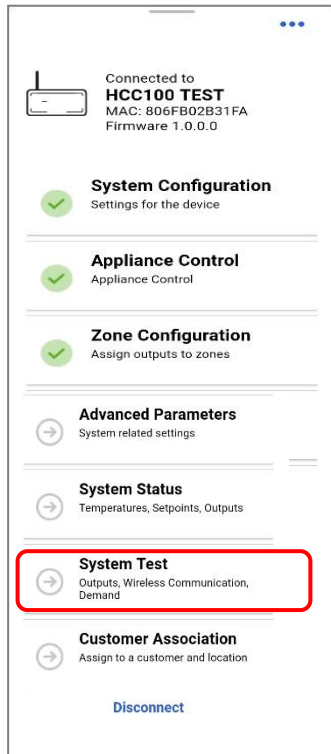
All outputs can be tested, but the 'Pump' can only be switched on when 'All Zone Outputs' are on.

The 'Heat or Cool Demand' can only be switched on when the 'Pump' and 'All Zone Outputs' are on.

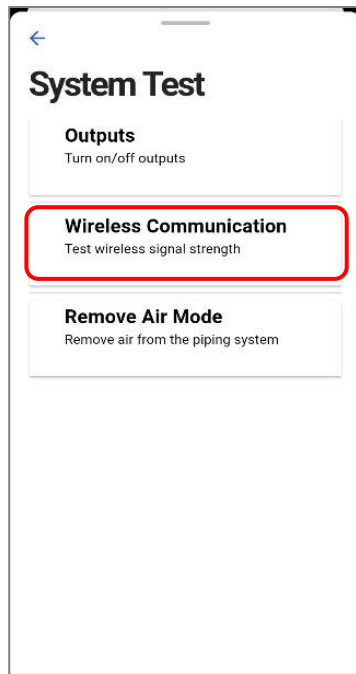
Select **Done** when ready to disable test mode and return to normal operation.

After the set up all relevant outputs can be tested for their function

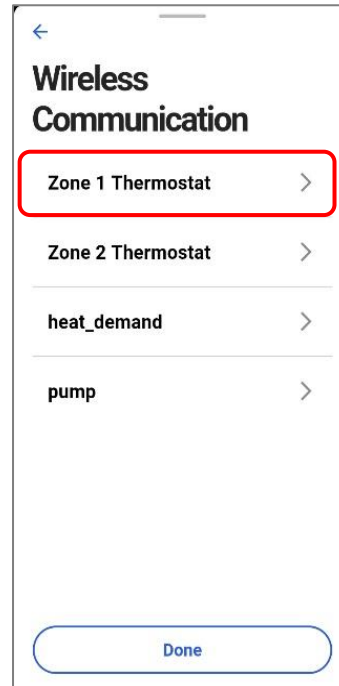
System Test – Testing Wireless Communication



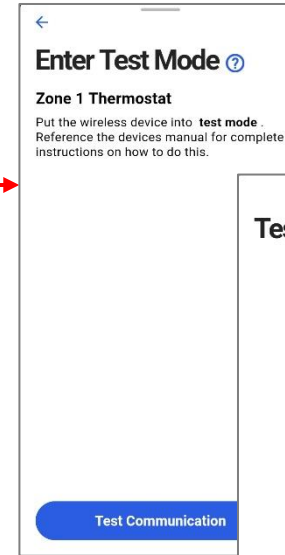
Select System Test



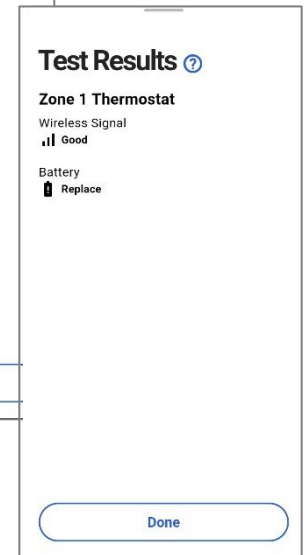
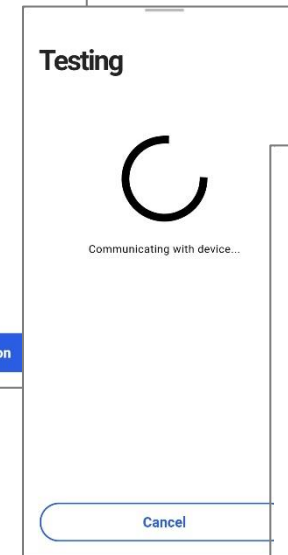
Test wireless communications



Zone thermostat communication check

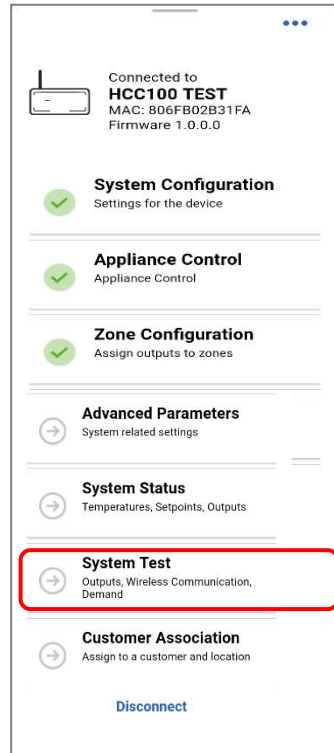


Tested device needs to be put in test mode

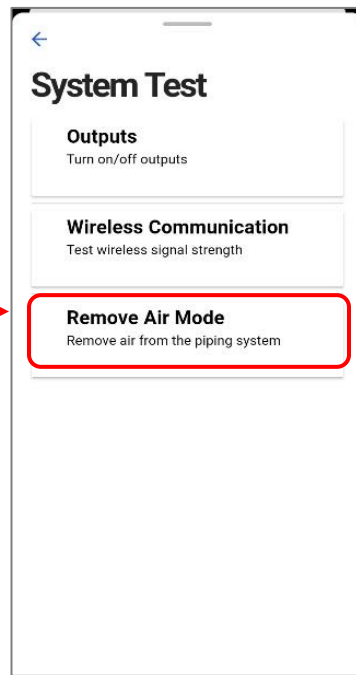


Select **Done** when ready to disable test mode and return to normal operation.

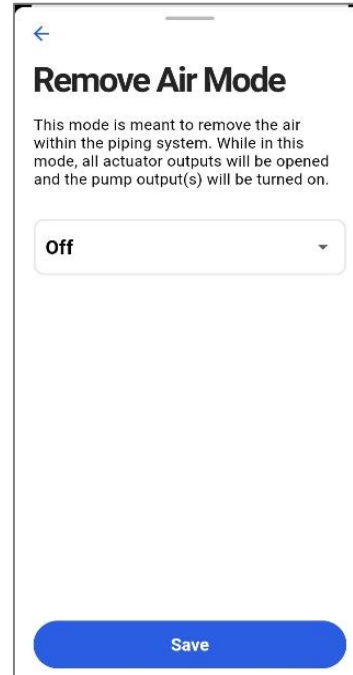
System Test – Testing Wireless Communication



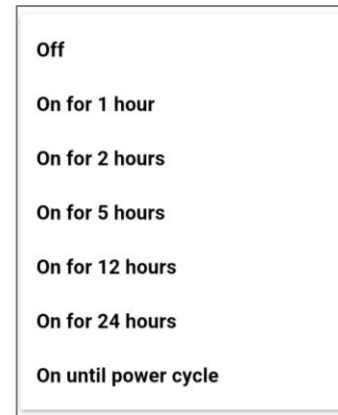
Select
System Test



Test on/off
outputs



“Remove air mode” will open valves and switches on the pump for set duration (1 - 24 hours).
When selecting ‘On until power cycle’ the mode remains on until the mains power is switched off and on again.

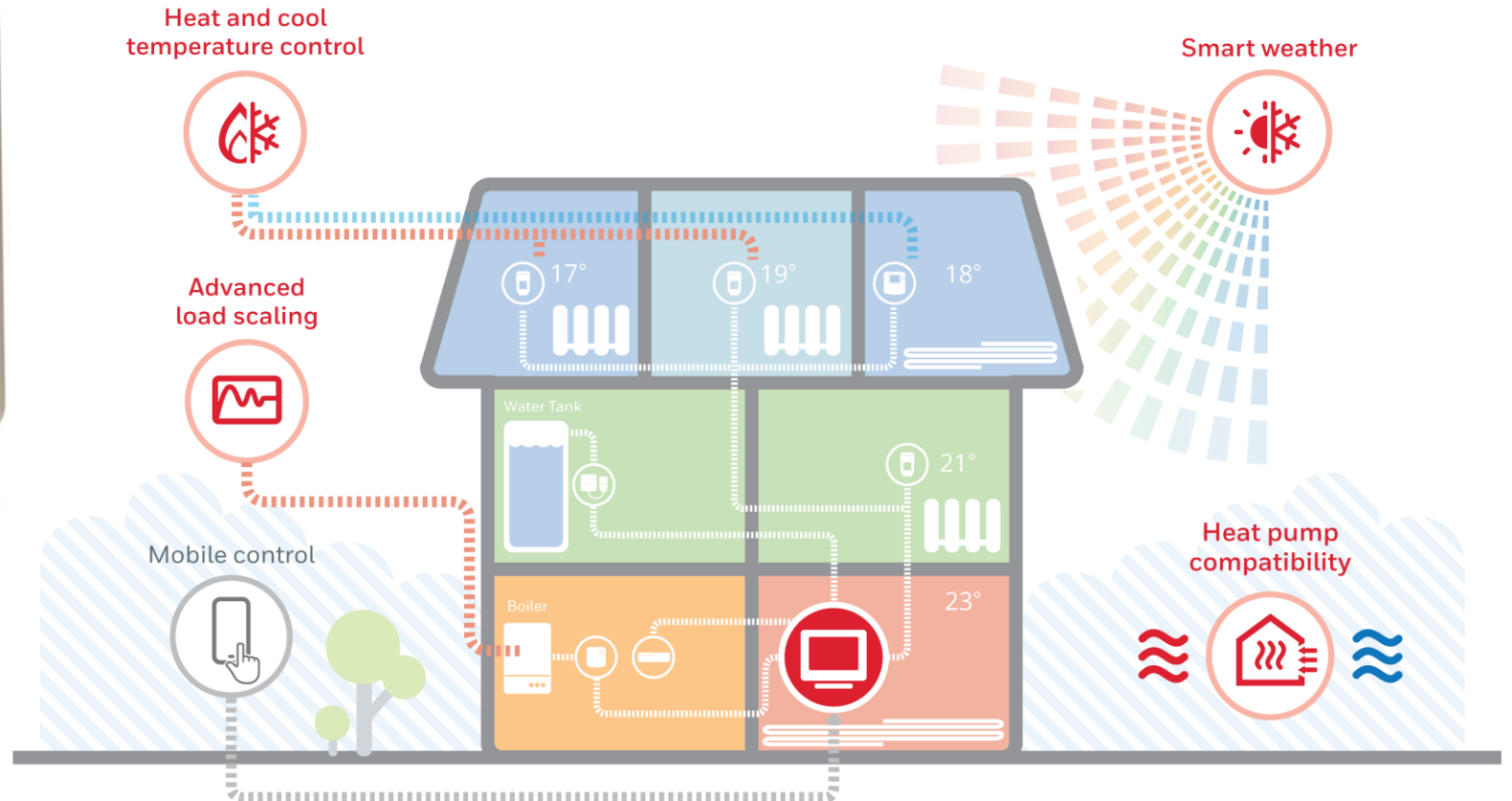


After the set up all relevant outputs can be tested for function here



HCC100 with evohome

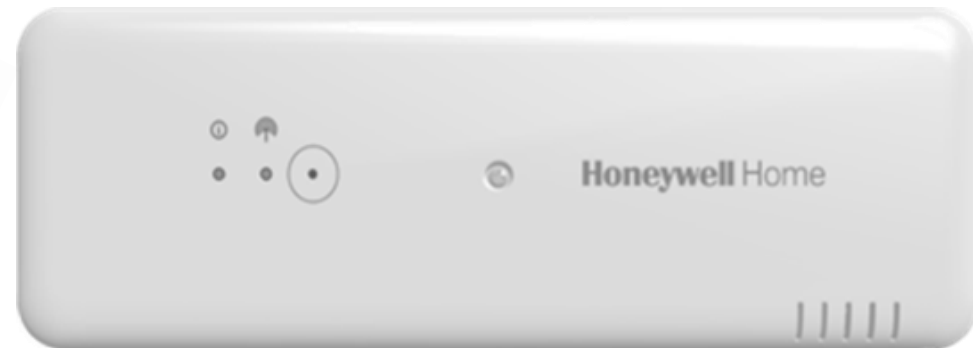
Evohome multi-zone system



evohome and HCC100



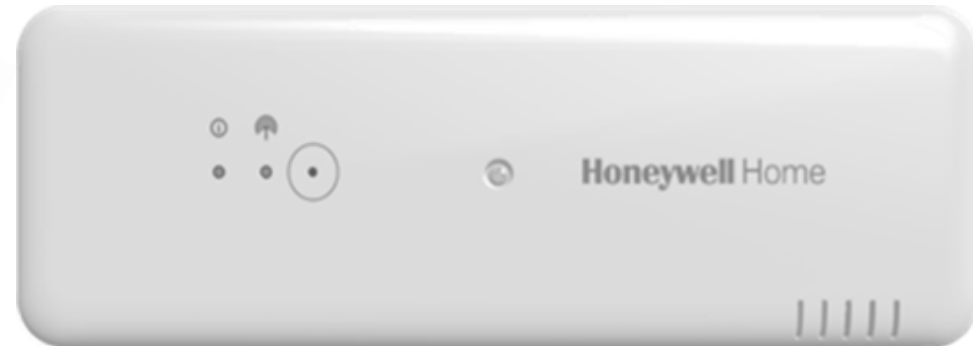
- Sophisticated zoning control system
- Controls up to 12 individual zones
- Each zone can be time and temperature controlled individually
- Works with radiators, underfloor systems, and zone valves
- Adds connectivity to underfloor systems thanks to its integrated Wi-Fi
- Multi zoning, room by room control saves energy



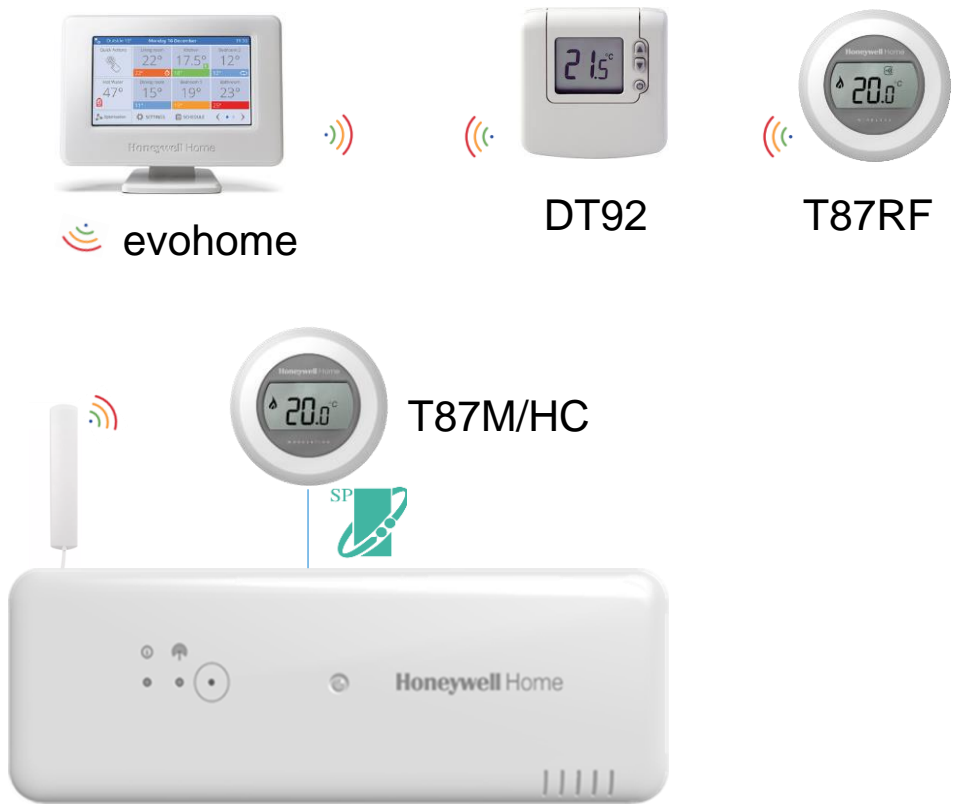
evohome and HCC100 (continued)



- Can integrate HCC100 wired and wireless zones
- Heat/Cool changeover directly bound from evohome to HCC100 (no need of BDR91T)
- Appliance control can be done by:
 - ✓ HCC100 (recommended for systems with underfloor only)
 - ✓ evohome (mixed systems with radiators and underfloor)
- Wirelessly connected with HCC100



What's Different with evohome and HCC100



- All wireless communications must go through evohome:
 - Heat/Cool changeover is managed from evohome
 - Wired room thermostats are bound to evohome using Resideo Pro app steps
 - Wireless room thermostats are directly bounded to evohome
 - Zone names set on evohome controller will be automatically transferred to Resideo Pro app
 - HCC100 is bound as “actuator” from evohome
- For Heat/Cool systems, we recommend that changeover is done from evohome
- Appliance control can be done by HCC100 (recommended for systems with underfloor only) or by evohome (mixed systems with radiators and underfloor).



System Configuration with evohome

Heat/Cool Changeover via evohome

Connected to **HCE100**
MAC: 806FB02B31FA
Firmware 1.0.0.0

System Configuration
Settings for the device

Appliance Control
Appliance Control

Zone Configuration
Assign outputs to zones

Advanced Parameters
System related settings

System Status
Disconnect

Evohome

Is an Evohome Thermostat connected?

Yes

No

System Type

Heat Only

Heat and Cool

Cool Only

Changeover

How is heat / cool mode controlled?

External heat / cool input used

Heat / cool mode output used

Heat / cool mode via Evohome

Heat / cool mode via wireless module

Changeover Binding

Perform the following steps on the **Evohome**

- 1 Go to **Configuration**
- 2 Select **Heat/Cool Changeover Switch**
- 3 The following screen should be shown

GUIDED CONFIGURATION 08:02

A heat/cool changeover relay box is required, please ensure that your relax box has the highlighted symbol.

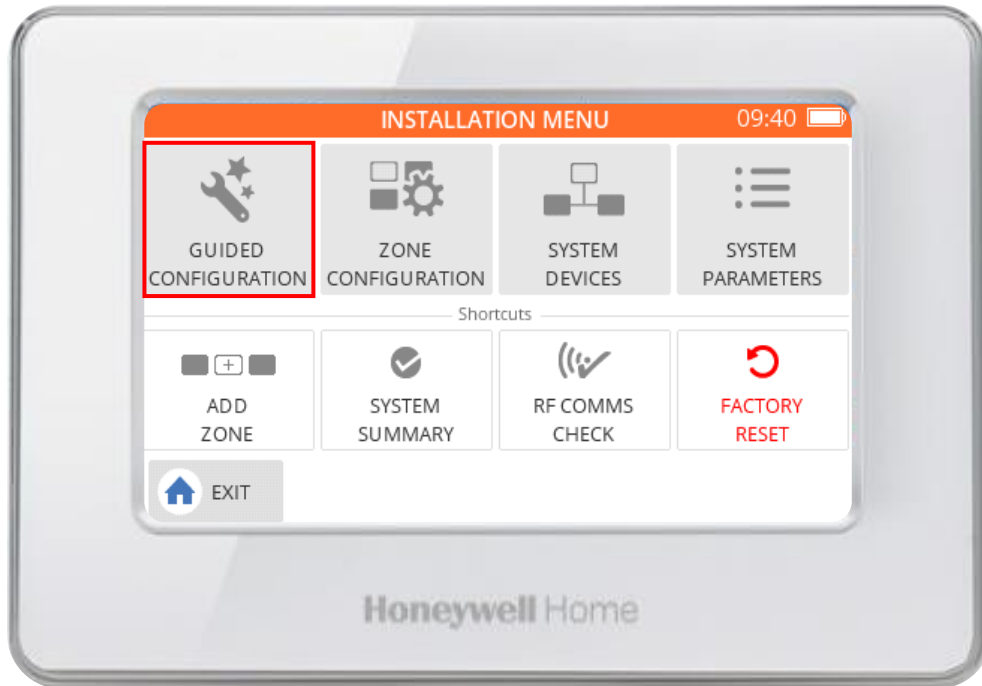
- 4 Press the Next button below

evohome binding heat/cool changeover (see next)

Select Changeover Type

Evohome Configuration Changeover Heat/Cool

1.) Choose: „Guided configuration“



2.) Choose: „Heat/Cool configuration“



Evohome Configuration Changeover Heat/Cool

3.) Choose: „Guided configuration“

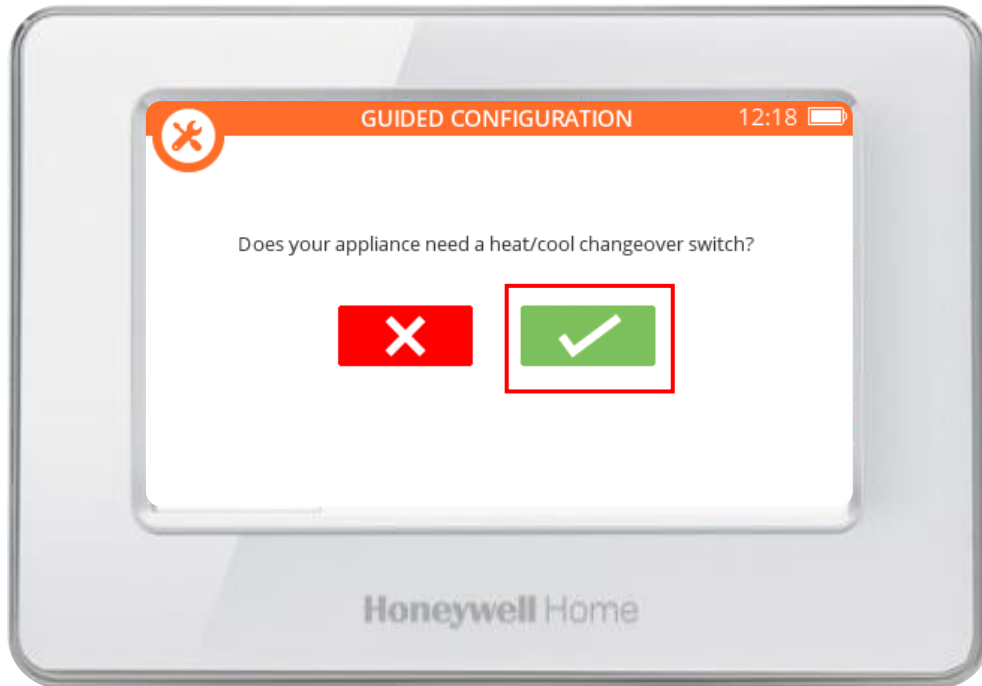


4.) Choose: „Heat/Cool“



Evohome Configuration Changeover Heat/Cool

5.) Confirm to proceed



6.) Check and confirm if there is the right relay box

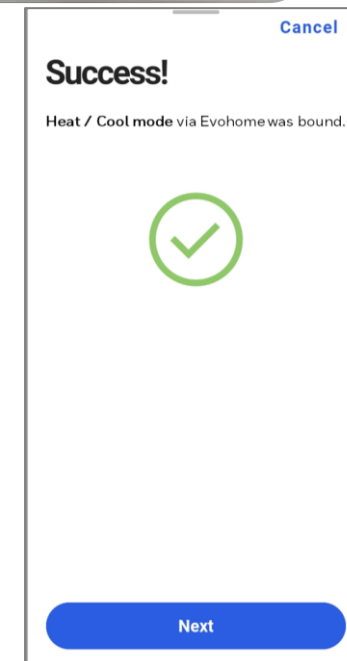
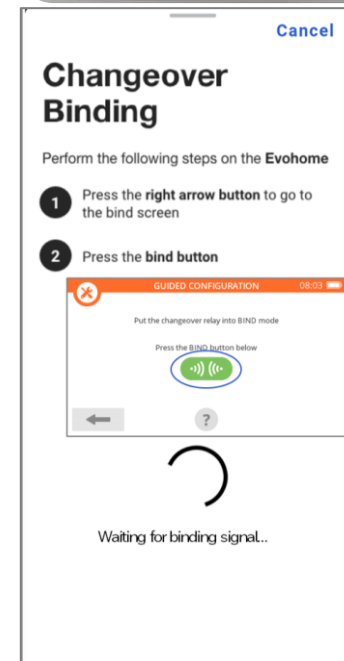


Note: BDR91T is **not** needed for Heat/Cool changeover, HCC100 can be bound directly from evohome following the same steps.

Evohome Configuration Changeover Heat/Cool

8.) Guided configuration successfully completed

7.) Bind evohome and relay box

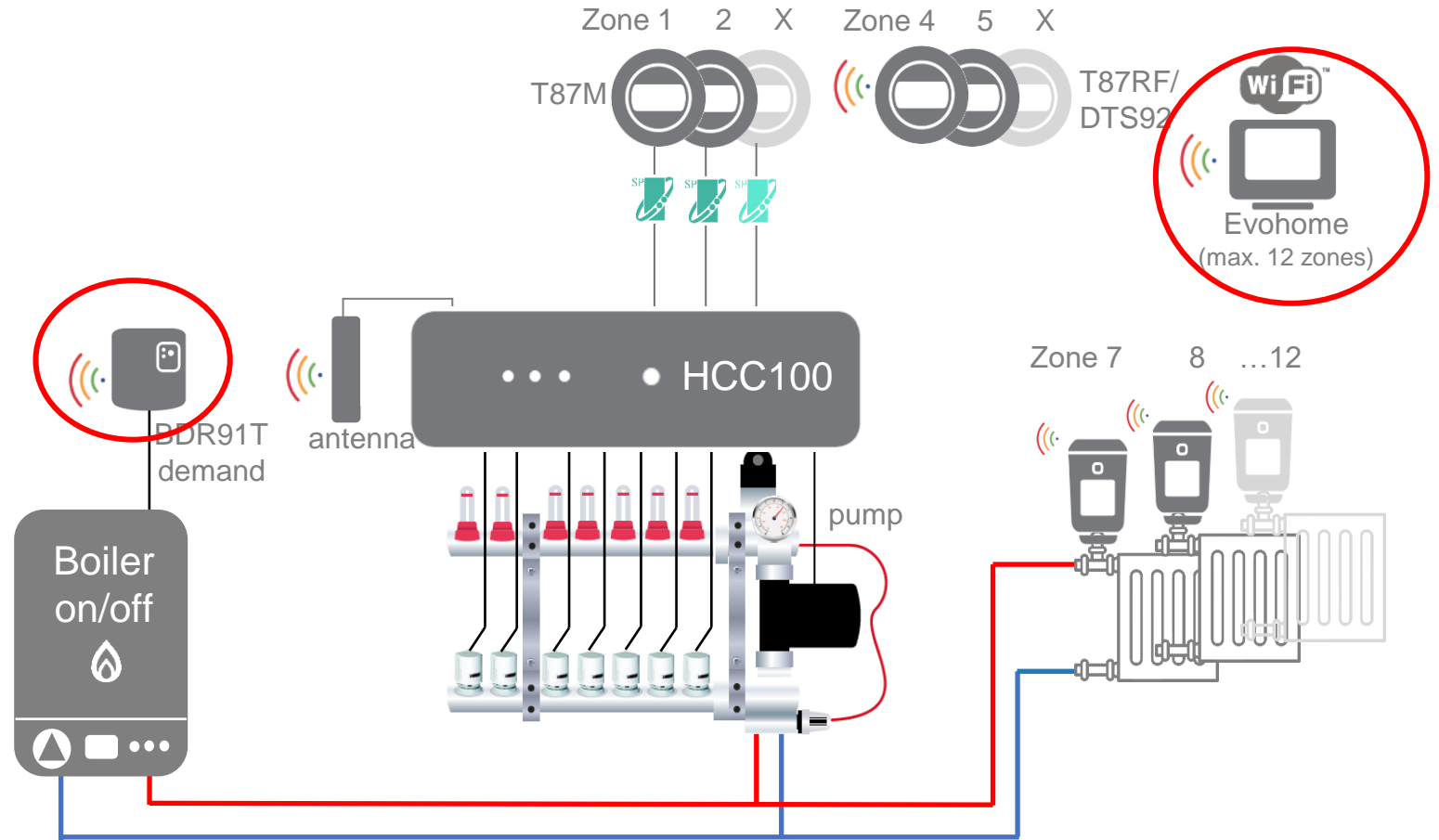




Appliance Configuration with evohome

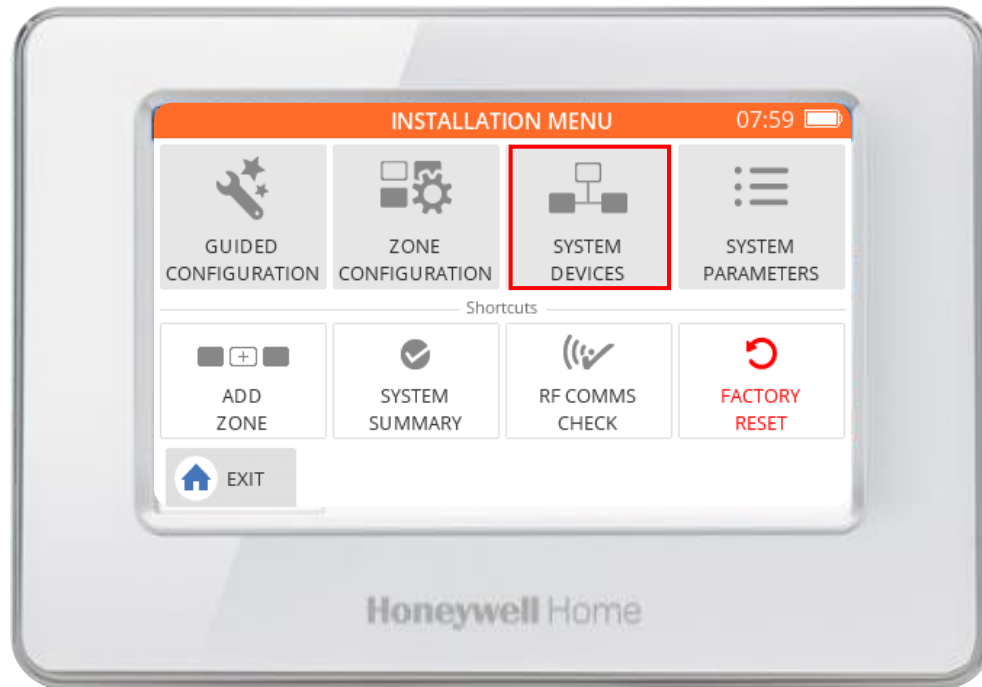
Appliance Control With evohome

- If evohome controls the appliance, you should have configured that HCC100 is not controlling the appliance
- All the binding process is done exclusively from evohome and the relay boxes involved
- No need to use Resideo Pro app for this configuration



evohome Demand Configuration Via Heatpump Relay

1.) Select **SYSTEM DEVICES**.

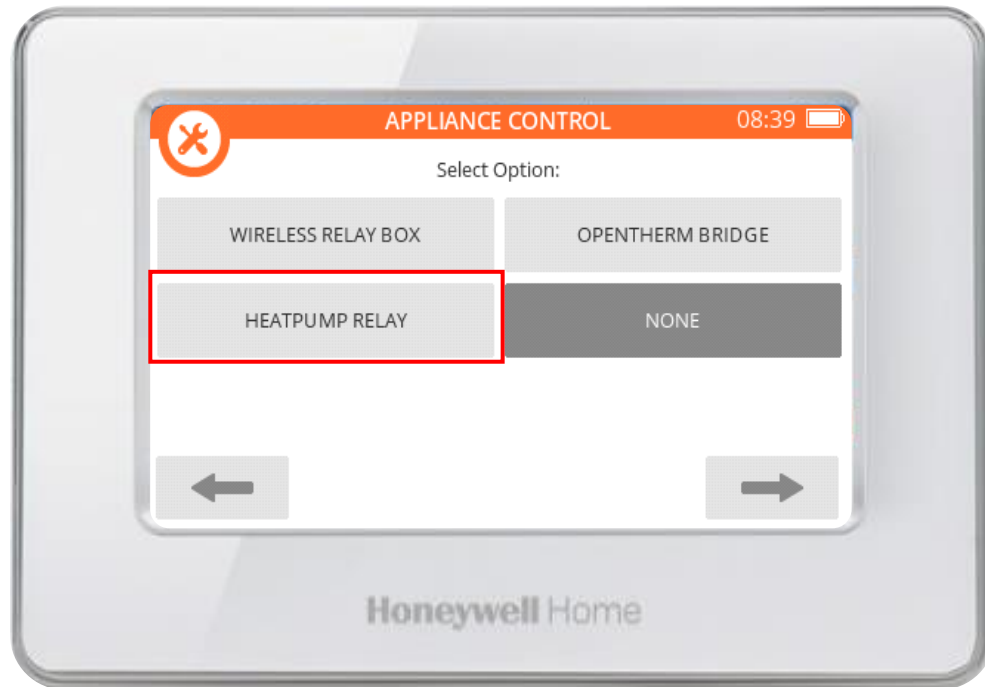


2.) Select **APPLIANCE CONTROL**.

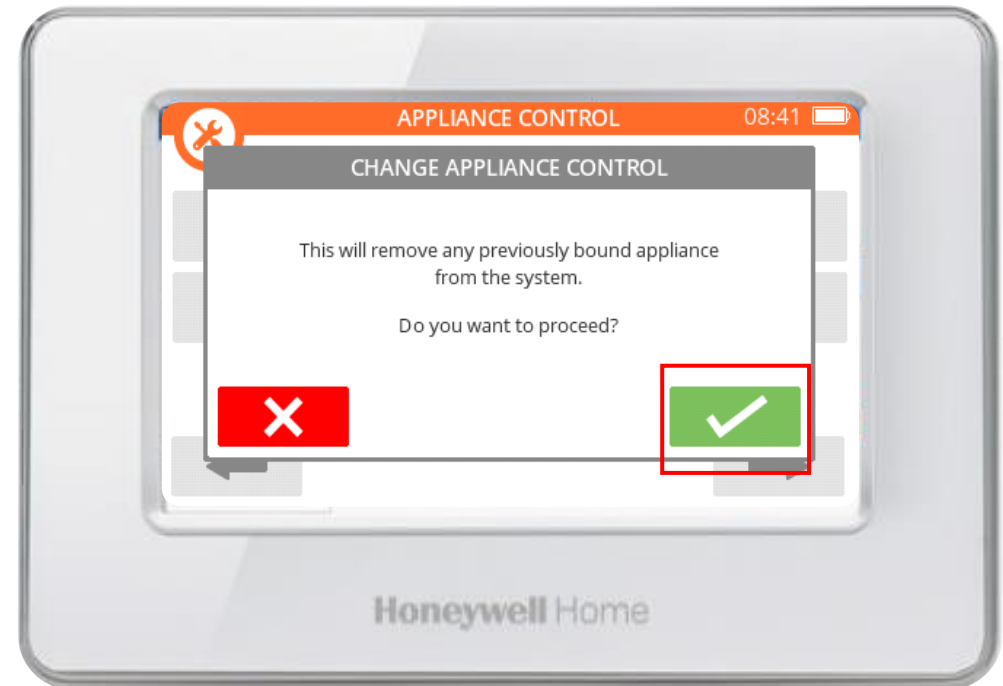


evohome Demand Configuration Via Heatpump Relay

3.) Select **HEATPUMP RELAY**.

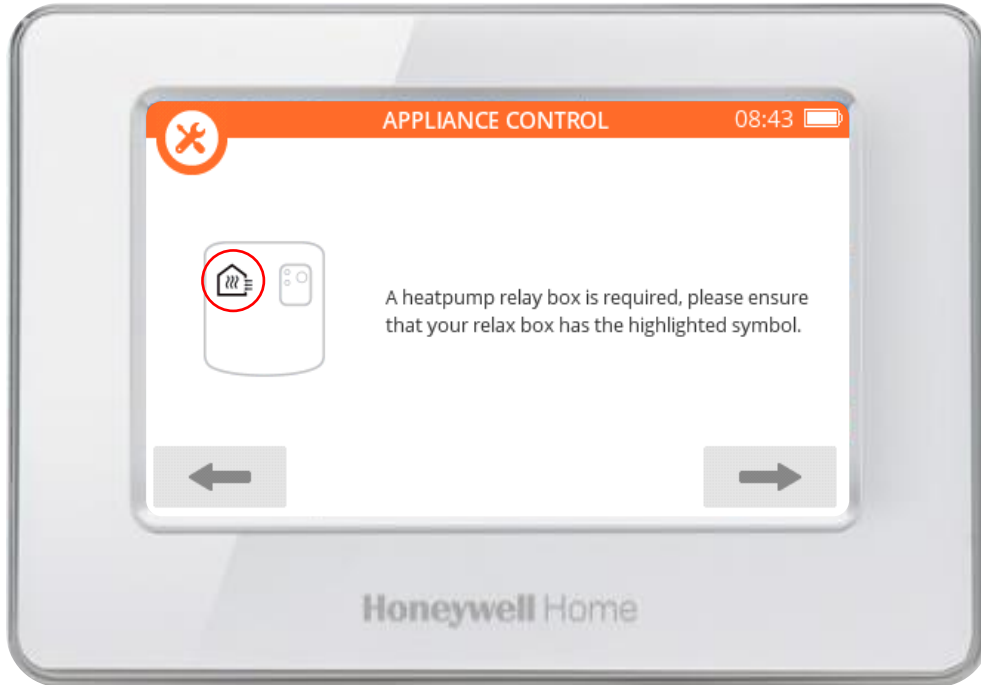


4.) Confirm note.

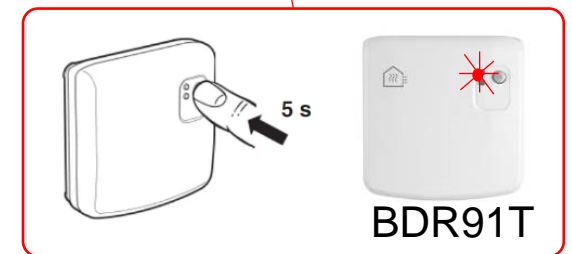
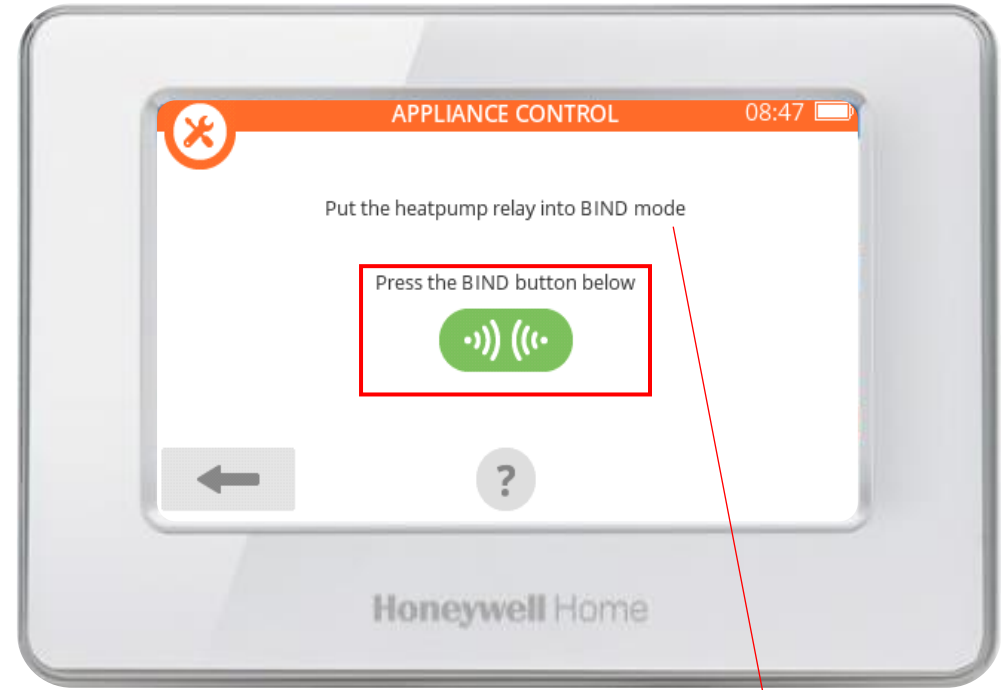


evohome Demand Configuration Via Heatpump Relay

5.) Confirm note.

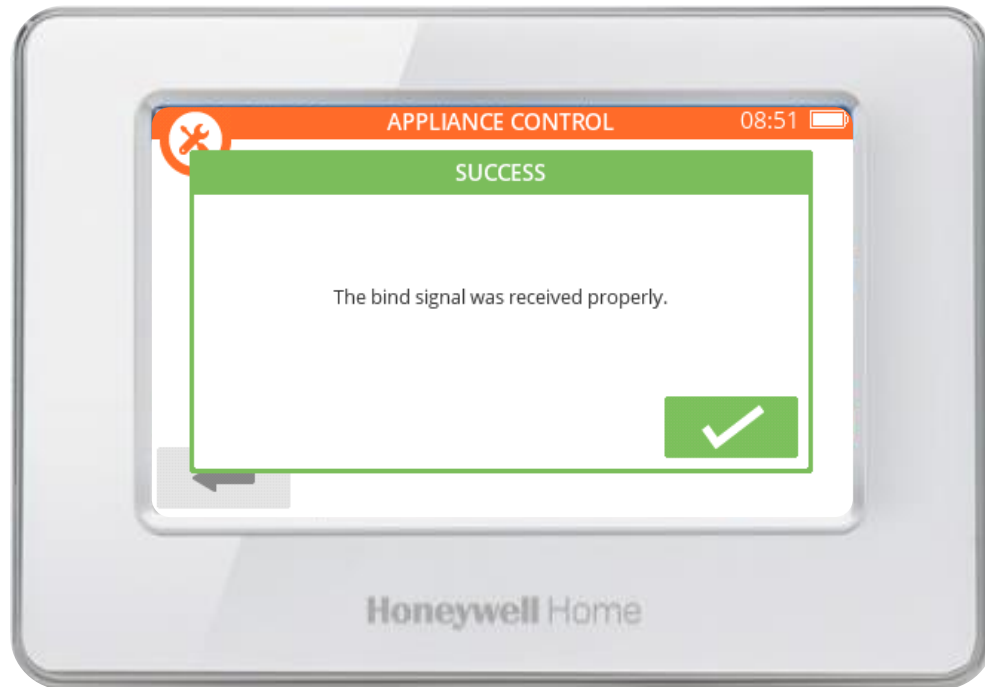


6.) Bind evohome and relay box



evohome Demand Configuration Via Heatpump Relay

7.) Confirmation of a successful binding.





Zone Configuration with evohome

Zone Configuration with evohome



- If evohome was selected **Yes** in the System Configuration, zones must be added to evohome.
- Wired and wireless zones can be added to the evohome system.
- Zones added to evohome can use all the features included on evohome (time programs, Smart Weather, and remote control).

System Configuration

evohome

Is an evohome thermostat connected?

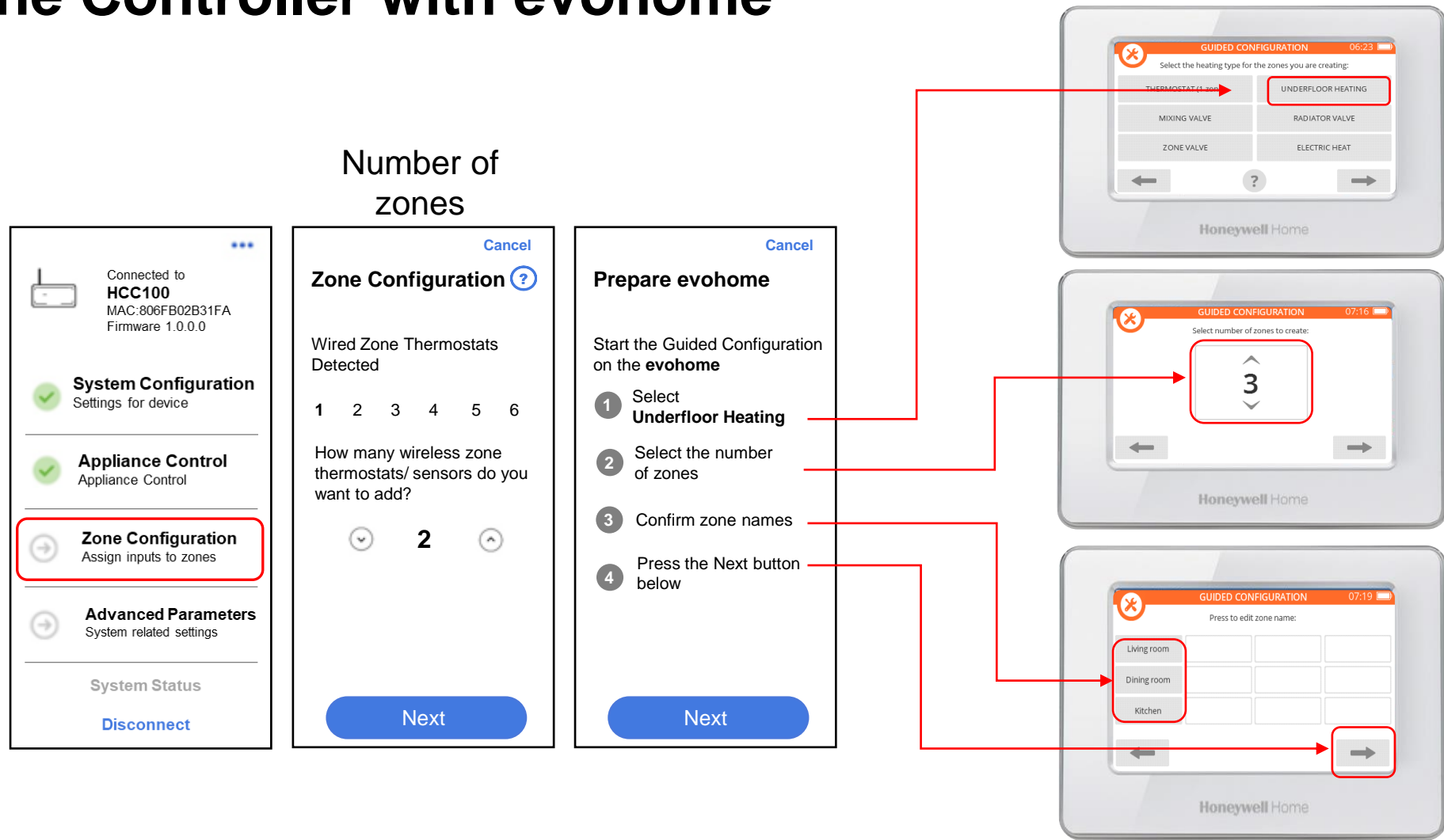
Yes

No

Next

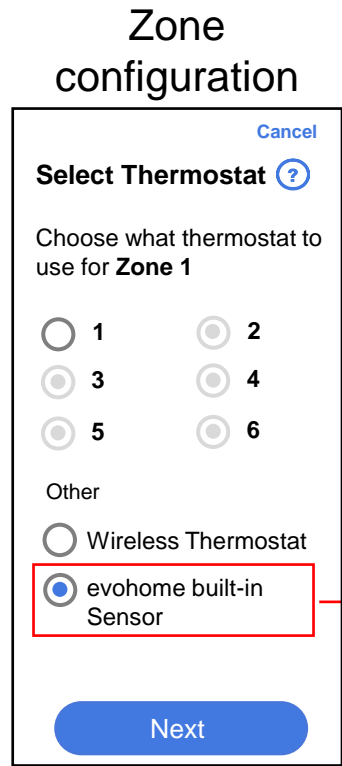
evohome selected

Configure the Controller with evohome



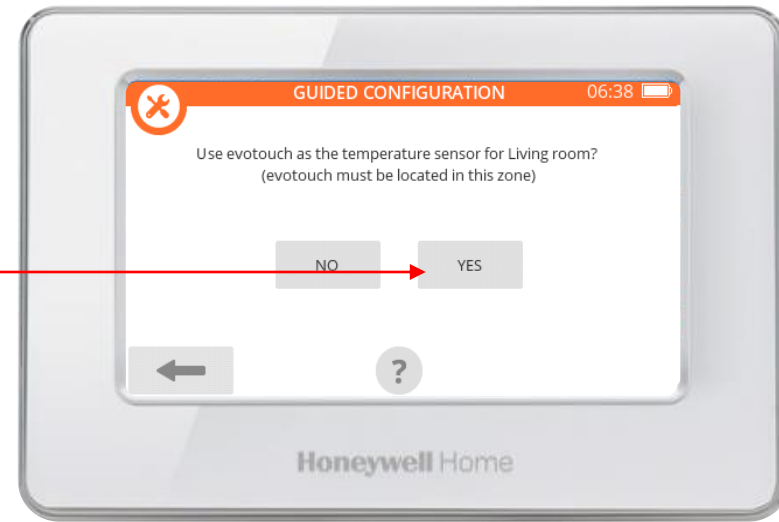
Zone names will be set up on evohome.

evohome Temperature Sensor



Zone 1
evohome sensor

evohome has a built-in temperature sensor. It can be used to control one of the zones.




If yes, be aware that evohome is located in this zone!

Binding evohome with HCC100 Zones

Zone configuration

Assign Actuator

On the evohome, press the bind button to assign the actuator to Zone 1.



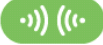
Waiting for binding signal

Next

GUIDED CONFIGURATION 06:48

Living room

Press BIND button on actuator(s)
Then press BIND button below



Honeywell

GUIDED CONFIGURATION 07:25

Living room

(1 actuators bound 2 way)

Check the device, if unsuccessful go back to resend the BIND signal.

Honeywell Home

Success!

Zone 1 was assigned to evohome



Next

Zone 1

Name
Living Room

Outputs
7 9

Parameters
Heat and Cool
Standard Thermostat

Configure Parameter

Next

evohome name is synchronized

Binding Wired HCC100 Zone with evohome

Zone Configuration

Cancel

Select Thermostat ?

Choose what thermostat to use for **Zone 2**

Detected Wired Thermostats

1 2

3 4

5 6

Other

Wireless Thermostat

Evohome built-in Sensor

Next

Zone 2
Wired thermostat
selected

Cancel

Sensor Binding

On the evohome, go to the sensor binding screen for **Zone 2**.

Bind



Cancel

Success!

Zone 2 was assigned to evohome


Next


Binding Wired HCC100 Zone with evohome

Zone configuration

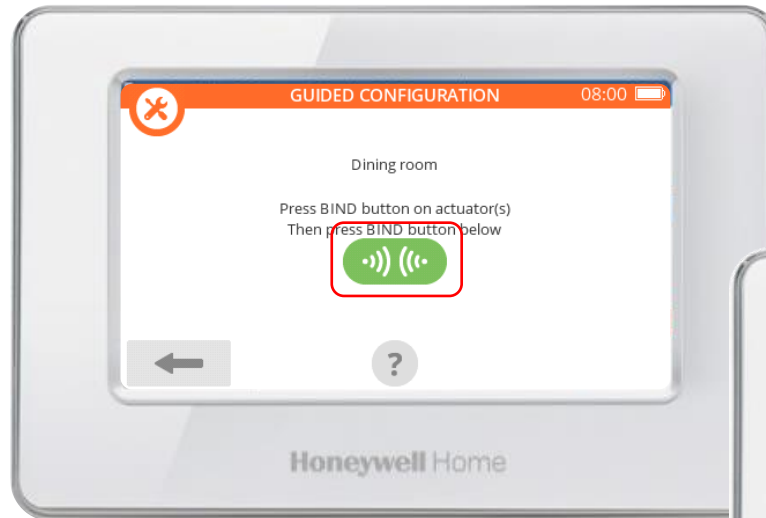
Assign Actuator Cancel

On the evohome, press the bind button to assign the actuator to Zone 2.




 Waiting for binding signal

Zone 2 Wired stat



Success! Cancel

Zone 2 was assigned to evohome



Next

Binding Wired HCC100 Zone with evohome

Zone Configuration

Cancel

Outputs ?

Select the outputs included in Zone 2

<input type="checkbox"/> 1	<input type="checkbox"/> 2
<input type="checkbox"/> 3	<input type="checkbox"/> 4
<input type="checkbox"/> 5	<input type="checkbox"/> 6
<input checked="" type="checkbox"/> 7 (Zone 1)	<input checked="" type="checkbox"/> 8
<input checked="" type="checkbox"/> 9 (Zone 1)	<input type="checkbox"/> 10
<input type="checkbox"/> 11	<input type="checkbox"/> 12
<input type="checkbox"/> 13	<input type="checkbox"/> 14
<input type="checkbox"/> 15	<input type="checkbox"/> 16
<input type="checkbox"/> 17	<input type="checkbox"/> 18

Next

Zone 2
Output 8
selected

← Cancel

Zone 2

Name
Dining Room




Outputs
8

Parameters
Heat and Cool
Standard Thermostat

Configure Parameter

Next

Overview
Zone 2

<p>Done! Zone 1 Living Room</p>  <p>evohome built-in Sensor</p>	<p>Done! Zone 2 Dining Room</p>  <p>Wired Stat</p>	<p>Zone 3 Kitchen</p>  <p>Wireless Stat</p>
--	---	--

Now Zone 3
Wireless

Binding Wireless HCC100 Zone with evohome

Zone configuration

Cancel

Select Thermostat ?

Choose what thermostat to use for **Zone 3**

Detected Wired Thermostats

1 2

3 4

5 6

Other

Wireless Thermostat

Evohome built-in Sensor

Next

Zone 3
Wireless stat
Wireless selected

Assign Actuator

Cancel

On the evohome, press the bind button to assign the actuator to **Zone 3**.

GUIDED CONFIGURATION 16:55

Kitchen

Press BIND button on actuator(s)
Then press BIND button below

Waiting for binding signal

Bind

GUIDED CONFIGURATION 16:42

Kitchen

Press BIND button on sensor

Honeywell

GUIDED CONFIGURATION 16:47

SUCCESS

Binding signal was received properly.

Honeywell

GUIDED CONFIGURATION 16:55

Kitchen

Press BIND button on actuator(s)
Then press BIND button below

Honeywell Home

Cancel

Success!

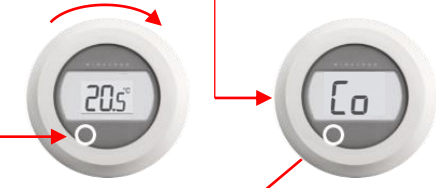
Zone 3 was assigned to evohome

Next

Press here for 10 sec to activate 'Bo' binding wireless thermostat

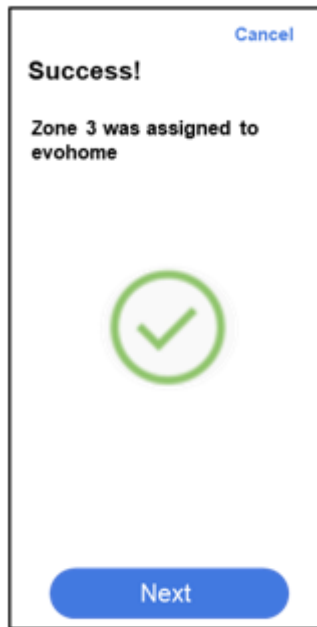
twist to 'Co'

Press sensor key briefly to send the binding signal



Configuration Completed

Zone configuration

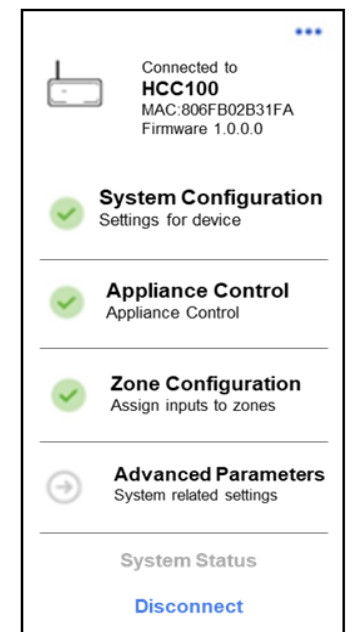


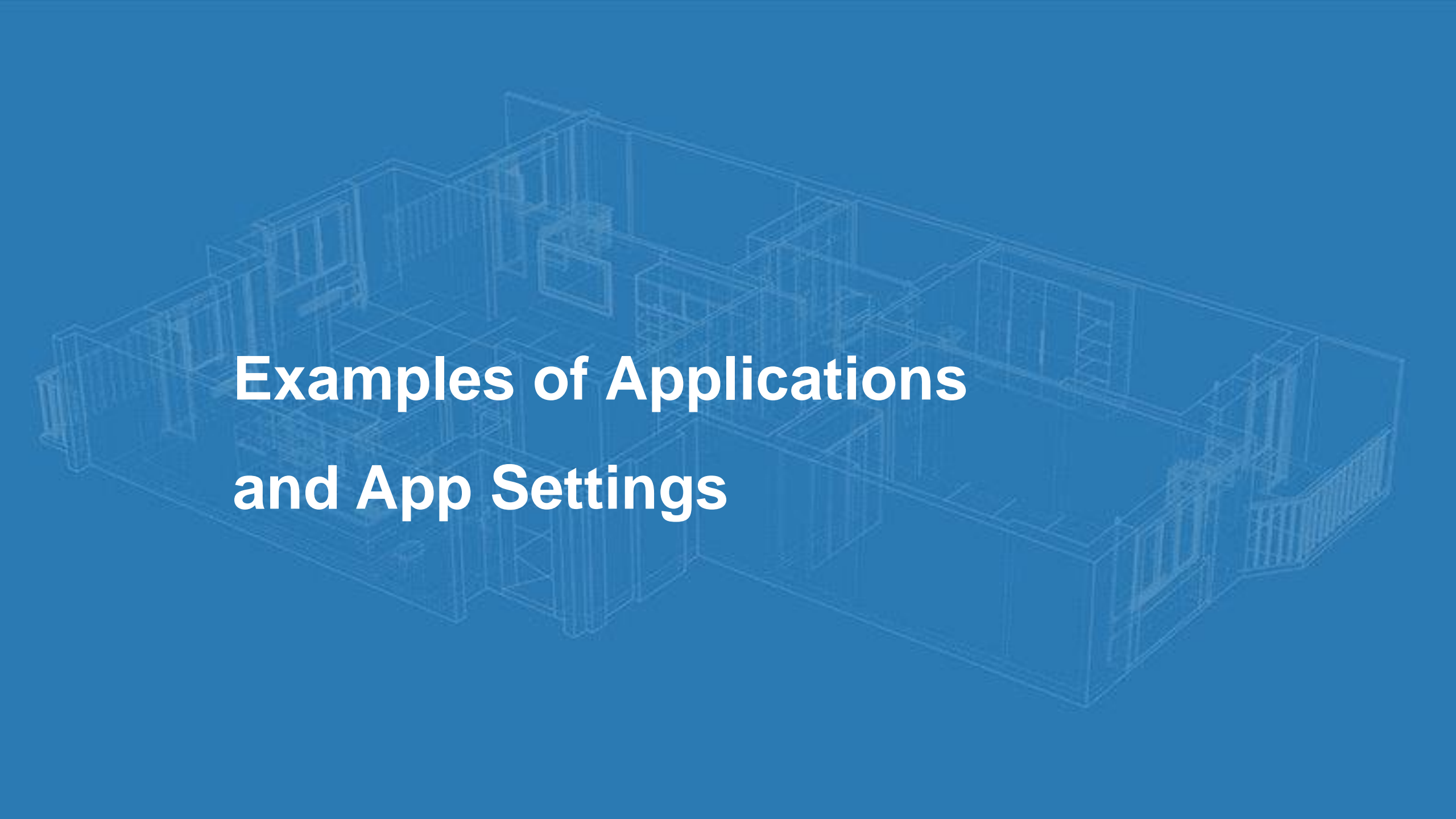
Zone 3
Wireless Stat

Guided configuration completed



Zone configuration completed





Examples of Applications and App Settings

Applications

A wide range of different applications are available.

WIRED

Cost-effective solution for those who prefer wired thermostats or need to replace existing system. HCC100 supports up to 6 wired zones and the room thermostat makes it even easier to use.



HYBRID

A combination of wired and wireless adds flexibility to the system. The room thermostat will cover both needs, without compromising on quality or benefits.



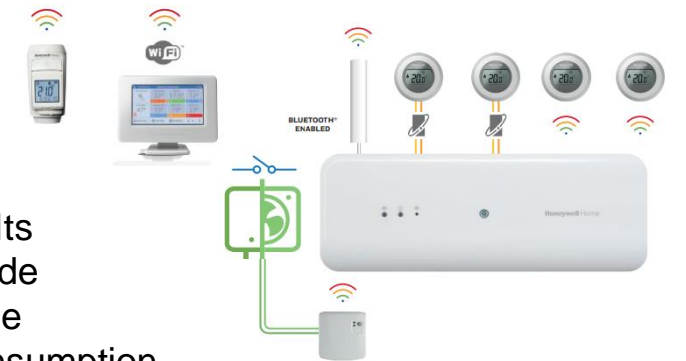
WIRELESS

Wireless option is available for those who want rid of complicated wiring. HCC100 supports up to 8 wireless temperature zones. Configuration is fast and intuitive through the Resideo Pro app.



EVOHOME

Gives control of all rooms through one device, with touch-screen and remote control via the app. Its smart features provide perfect comfort, while reducing energy consumption.



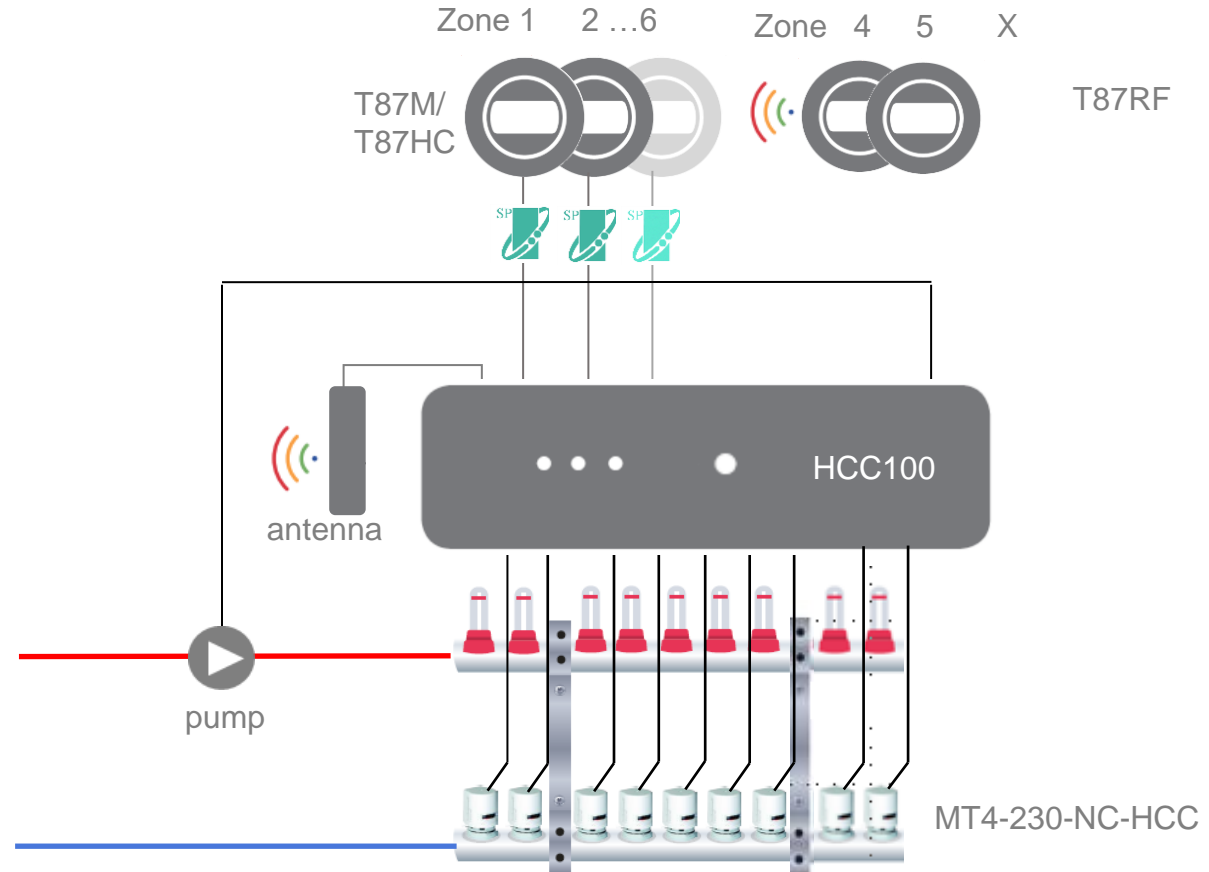
The HCC100 supports up to 20 thermo actuators (free configurable)

Wired, Wireless, or Mixed Zone Control, Heat Only

Application 1.a.

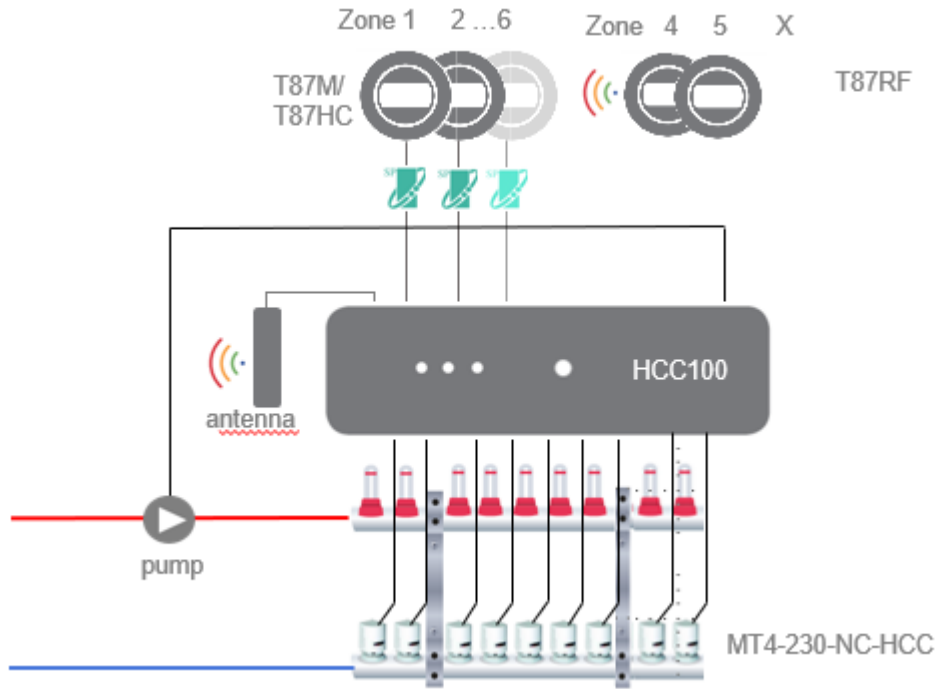
System description:

- System can be configured as Heat only, Cool only or Heat/Cool.
- Room sensors can be wired (OpenTherm) or wireless.
- Pump can be controlled using the 230Vac integrated relay.



Application 1.a.

App settings



System configuration

- Evohome: No
- System Type: Heat Only
- Thermo Actuator: Normally Closed
- Device Type: Stand alone Device
- Appliance Control: No

Appliance Control

No settings needed

Zone Configuration

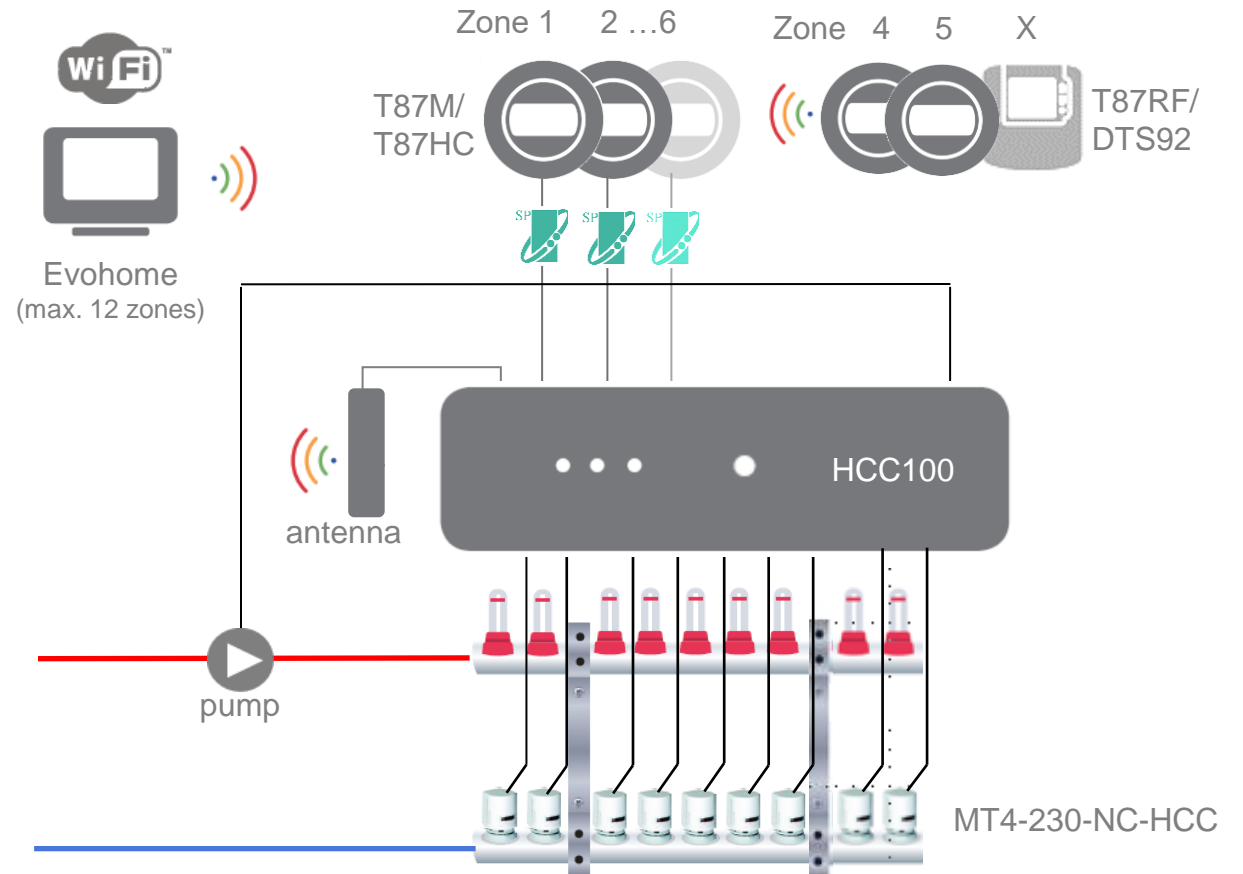
- Select the number of wireless zones
- Select actuators for Zone 1
- Select a name for Zone 1
- Select the Outputs for Zone 1
- Repeat this process with all Zones
- Edit Zones to modify configuration or Zone settings

Wired, Wireless, or Mixed Zone Control, Heat/Cool

Application 1.b.

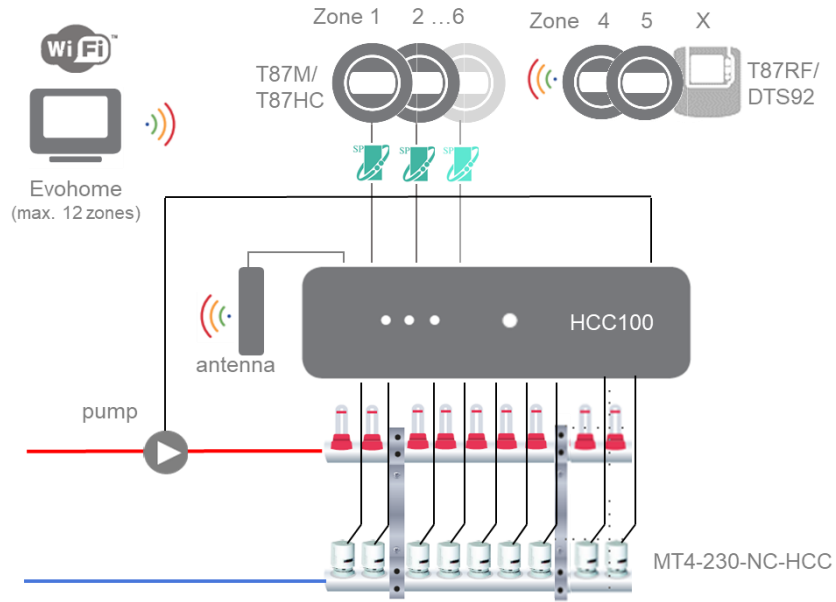
System description:

- System can be configured as Heat only, Cool only, or Heat/Cool.
- Room sensors can be wired (OpenTherm) or wireless.
- Pump can be controlled using the 230 VAC integrated relay.
- evohome can be added to provide time programs to all zones and remote access using evohome Wi-Fi and the Total Connect app.



Application 1.b.

App Settings



System configuration

- evohome: Yes
- System Type: Heat/Cool
- Thermo Actuator: Normally Closed
- Changeover: Heat/Cool mode via evohome
- Device Type: Standalone Device
- Appliance Control: No

Appliance Control

No settings needed

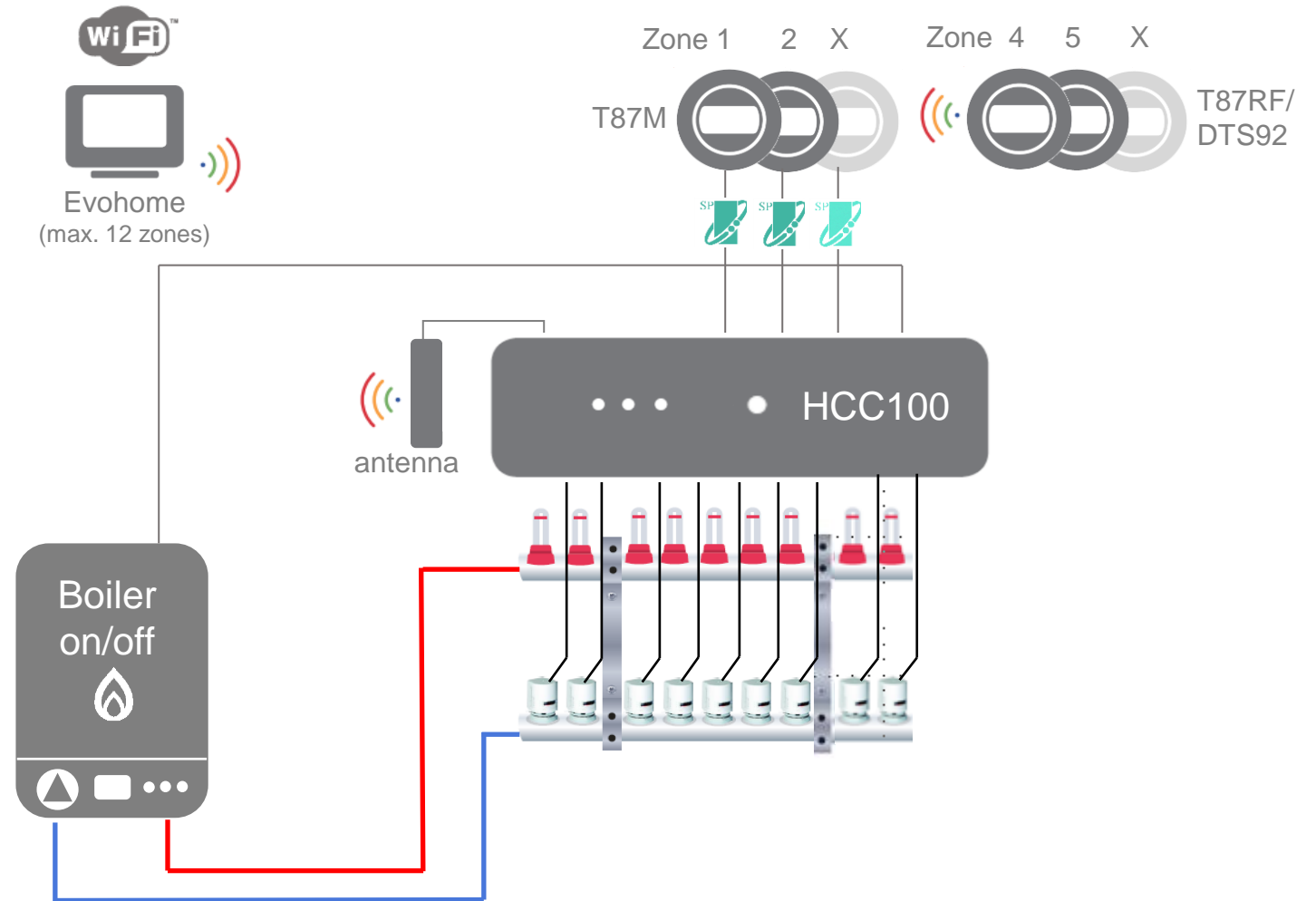
Zone Configuration

- Select the number of wireless zones
- Prepare Evohome (Guided Configuration)
- Select actuators for Zone 1
- Select a name for Zone 1
- Select the Outputs for Zone 1
- Repeat this process with all Zones
- Edit Zones to modify configuration or Zone settings

Wired, Wireless, or Mixed Zone Control, Heat Only, Boiler On/Off Wired Control

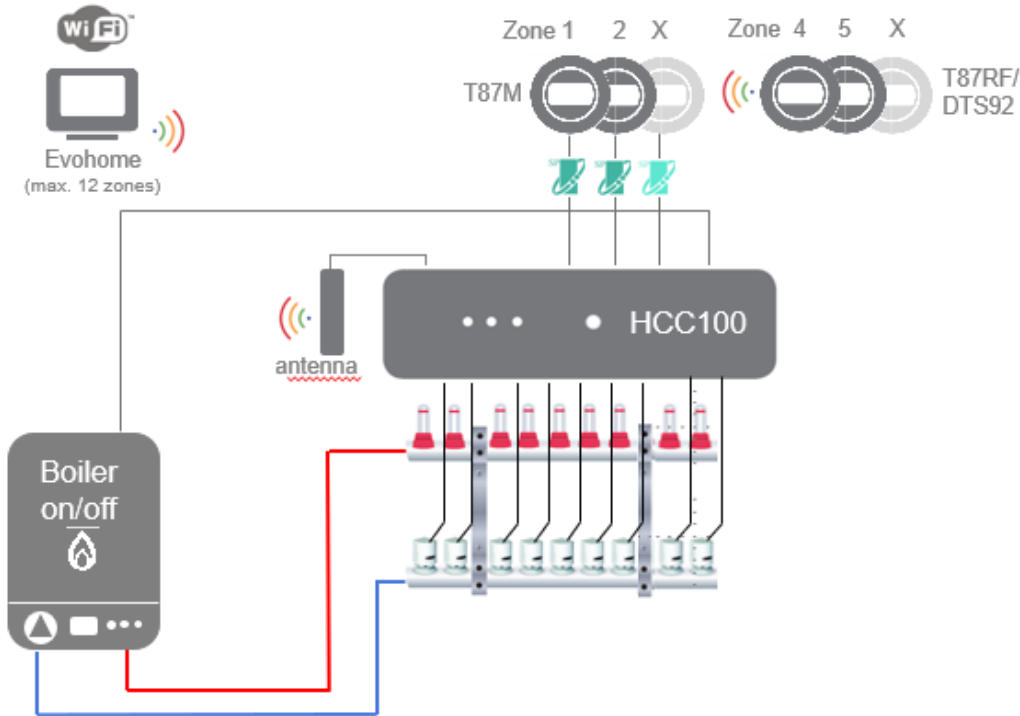
Application 2.a

- On/off boiler – heat only
- Appliance demand control by HCC100 (relay)
- evohome zone control



Application 2.a

App Settings



System configuration

- Evohome: Yes
- System Type: Heat Only
- Thermo Actuator: Normally Closed
- Device Type: Stand alone Device
- Appliance Control: Yes

Appliance Control

- Heating Boiler
- Wired output

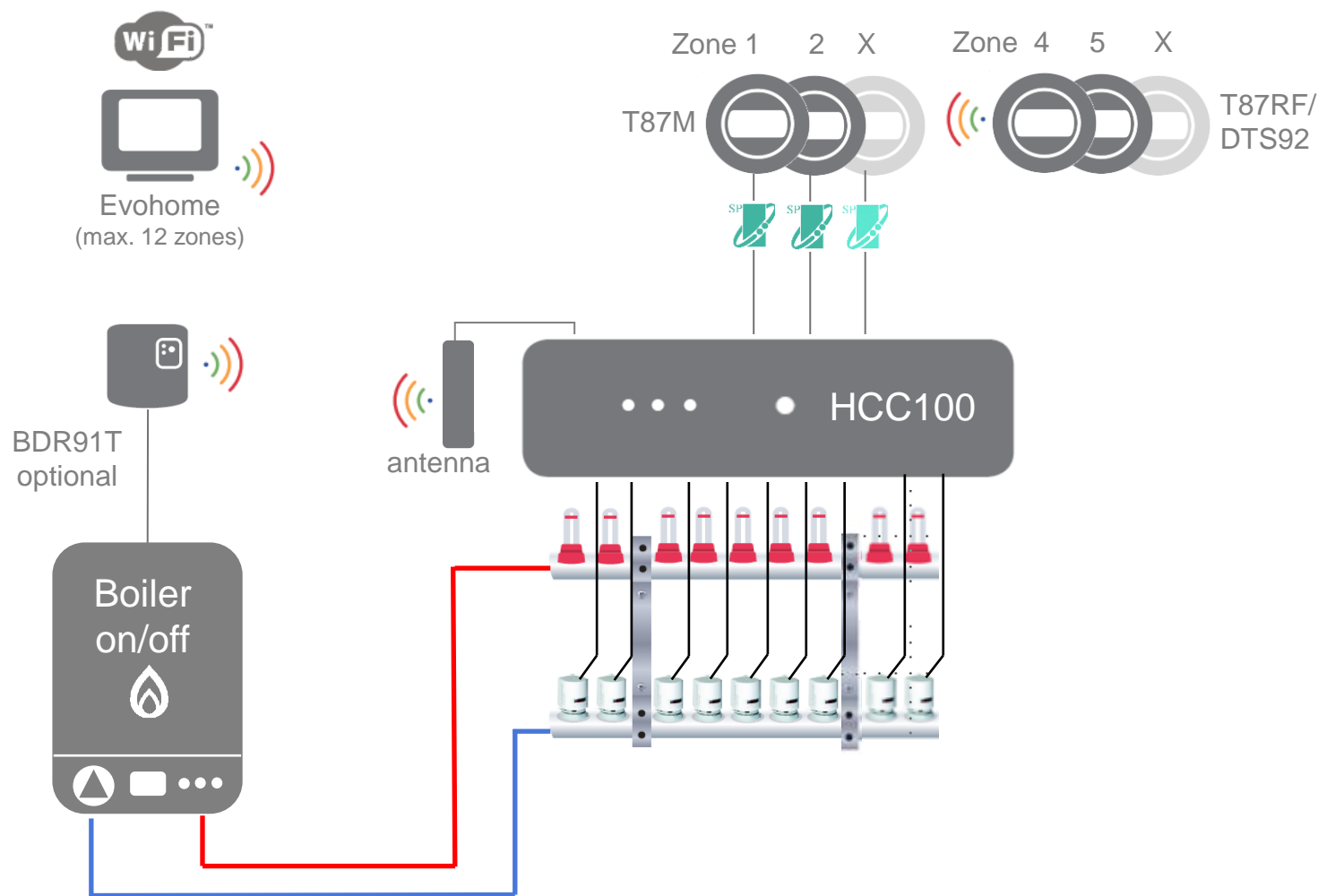
Zone Configuration

- Select the number of wireless zones
- Prepare Evohome (Guided Configuration)
- Select "Underfloor heating"
- Select the number of zones
- Select Thermostat for Zone 1
- Edit or confirm zone names
- Select the outputs for Zone 1
- Repeat this process with all Zones
- Edit Zones to modify configuration or Zone settings

Wired, Wireless, or Mixed Zone Control, Heat Only, Boiler On/Off Wireless Control

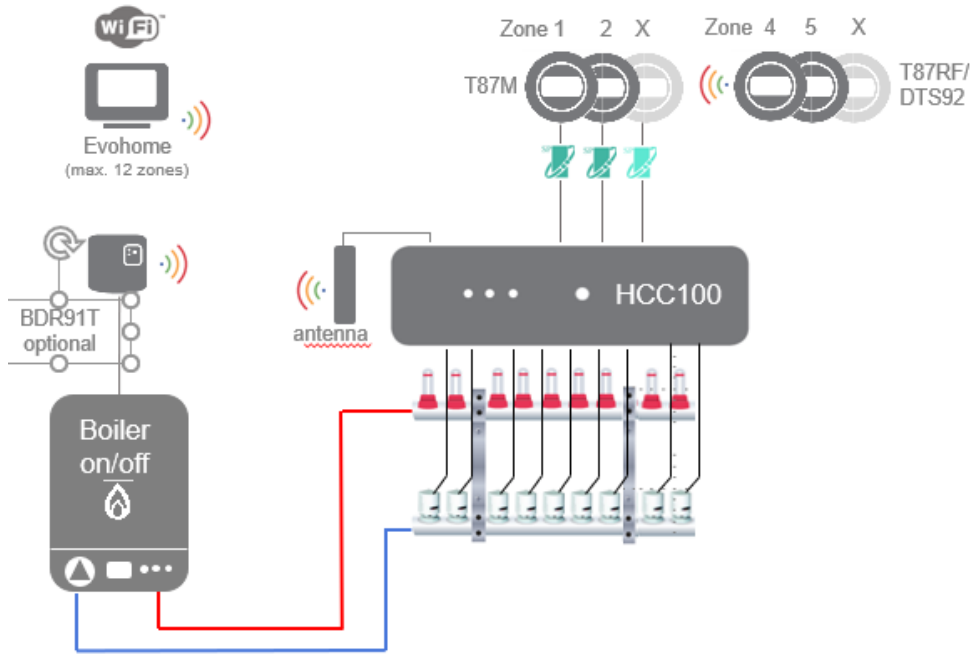
Application 2.b

- On/off boiler – heat only
- Appliance demand control by HCC100 (relay)
- evohome zone control



Application 2.b

App Settings



System configuration

- Evohome: Yes
- System Type: Heat Only
- Thermo Actuator: Normally Closed
- Device Type: Stand alone Device
- Appliance Control: Yes

Appliance Control

- Heating Boiler
- Wireless

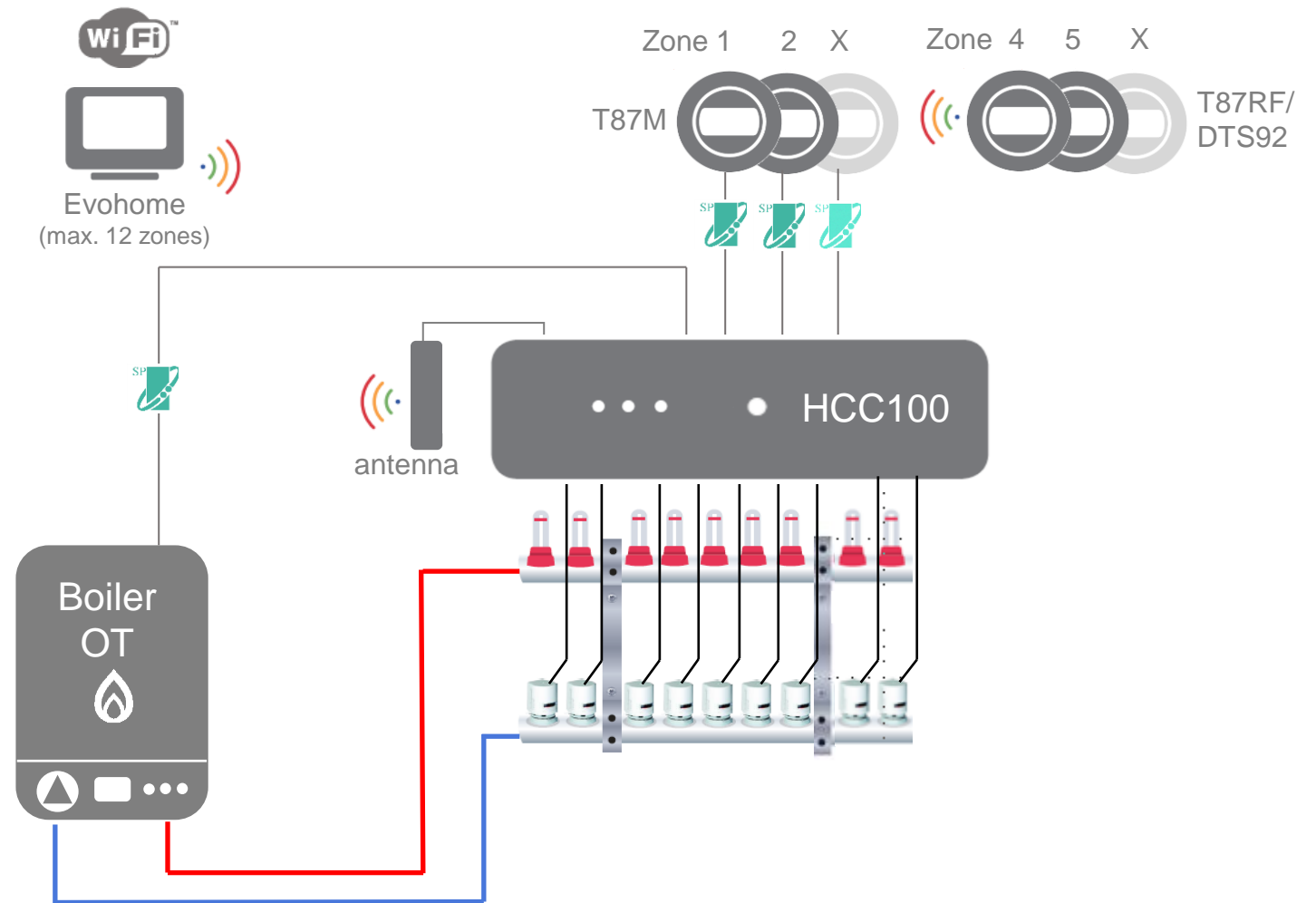
Zone Configuration

- Select the number of wireless zones
- Prepare Evohome (Guided Configuration)
- Select “Underfloor heating”
- Select the number of zones
- Select Thermostat for Zone 1
- Edit or confirm zone names
- Select the outputs for Zone 1
- Repeat this process with all Zones
- Edit Zones to modify configuration or Zone settings

Wired, Wireless, or Mixed Zone Control, Heat only, Boiler OpenTherm

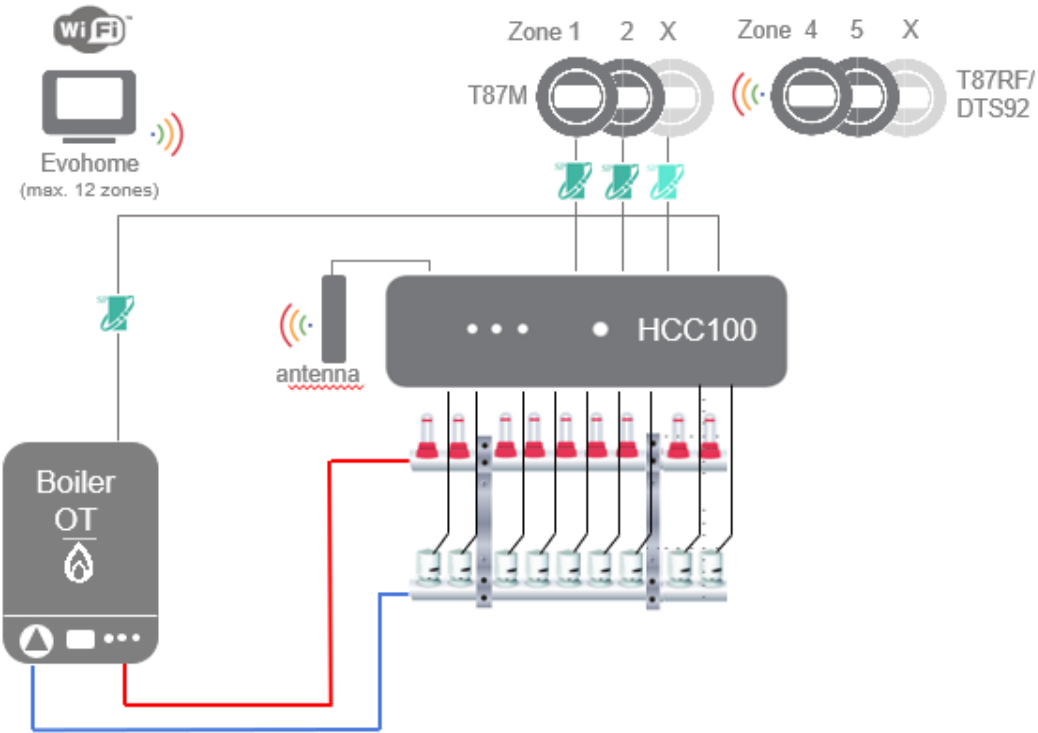
Application 2.c

- OpenTherm boiler – heat only
- Appliance demand control by HCC100 (relay)
- evohome zone control



Application 2.c

App Settings



System configuration

- Evohome: Yes
- System Type: Heat Only
- Thermo Actuator: Normally Closed
- Device Type: Stand alone Device
- Appliance Control: No

Appliance Control

- Heating Boiler
- Wired output

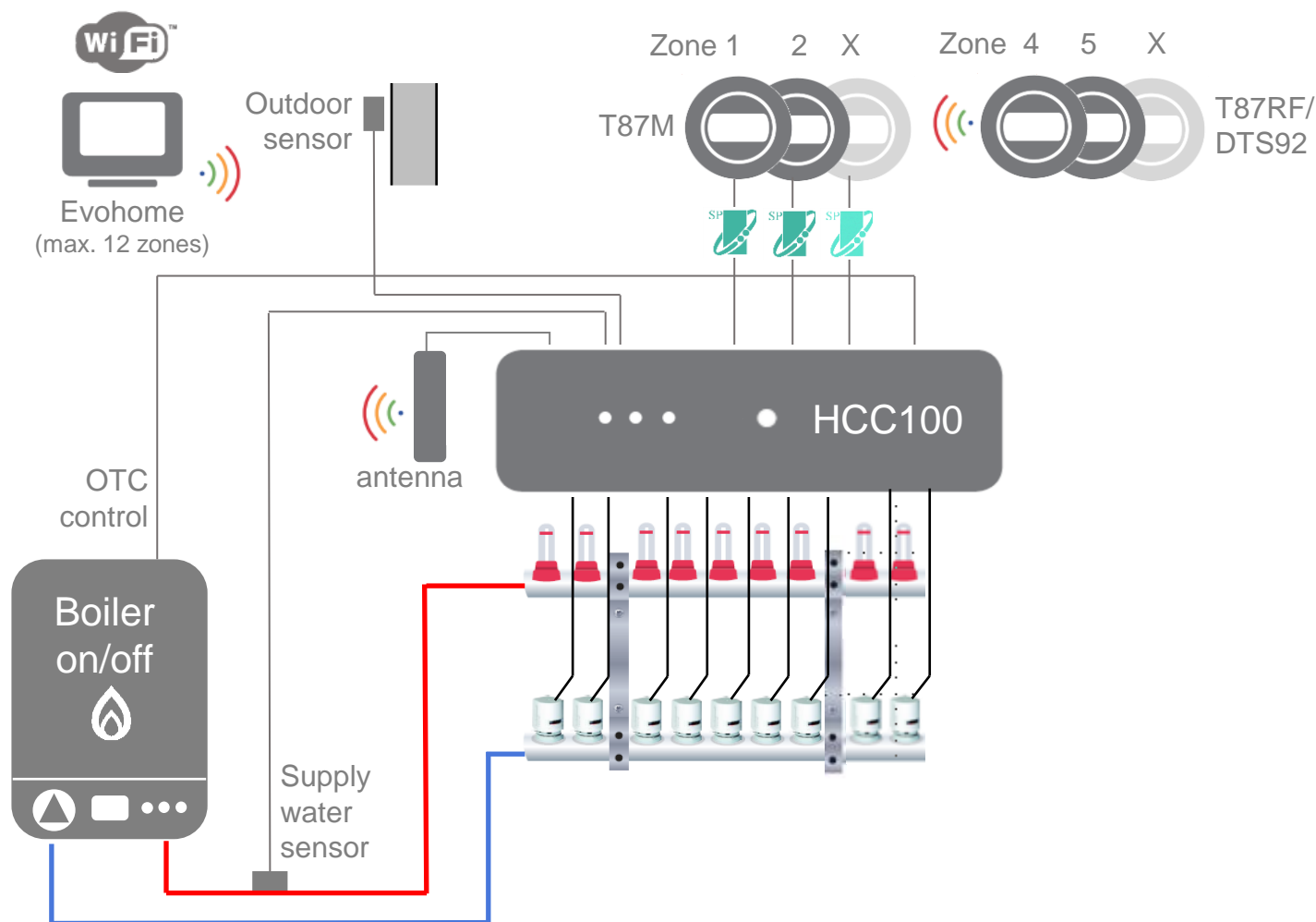
Zone Configuration

- Select the number of wireless zones
- Prepare Evohome (Guided Configuration)
- Select “Underfloor heating”
- Select the number of zones
- Select Thermostat for Zone 1
- Edit or confirm zone names
- Select the outputs for Zone 1
- Repeat this process with all Zones
- Edit Zones to modify configuration or Zone settings

Boiler On/Off OTC Control, Heat Only, Outdoor Compensated Supply Water Temperature

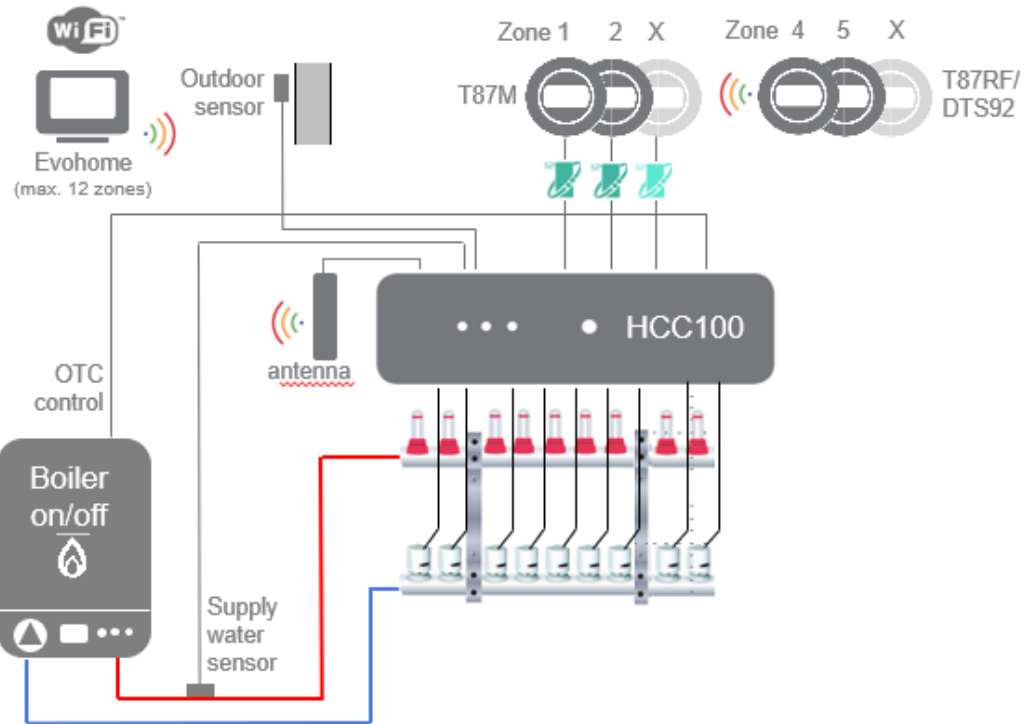
Application 2.d

- On/off boiler – heat only
- Heat demand control by HCC100 (relay) with outdoor compensation (optional)
- evohome zone control
- Supply water sensor is placed in the supply water pipe (direct contact with a metal part of the pipe)



Application 2.d

App Settings



System configuration

- Evohome: Yes
- System Type: Heat Only
- Thermo Actuator: Normally Closed
- Device Type: Stand alone Device
- Appliance Control: Yes

Appliance Control

- Heating Boiler
- Wired output

Zone Configuration

- Select the number of wireless zones
- Prepare Evohome (Guided Configuration)
- Select "Underfloor heating"
- Select the number of zones
- Select Thermostat for Zone 1
- Edit or confirm zone names
- Select the outputs for Zone 1
- Repeat this process with all Zones
- Edit Zones to modify configuration or Zone settings

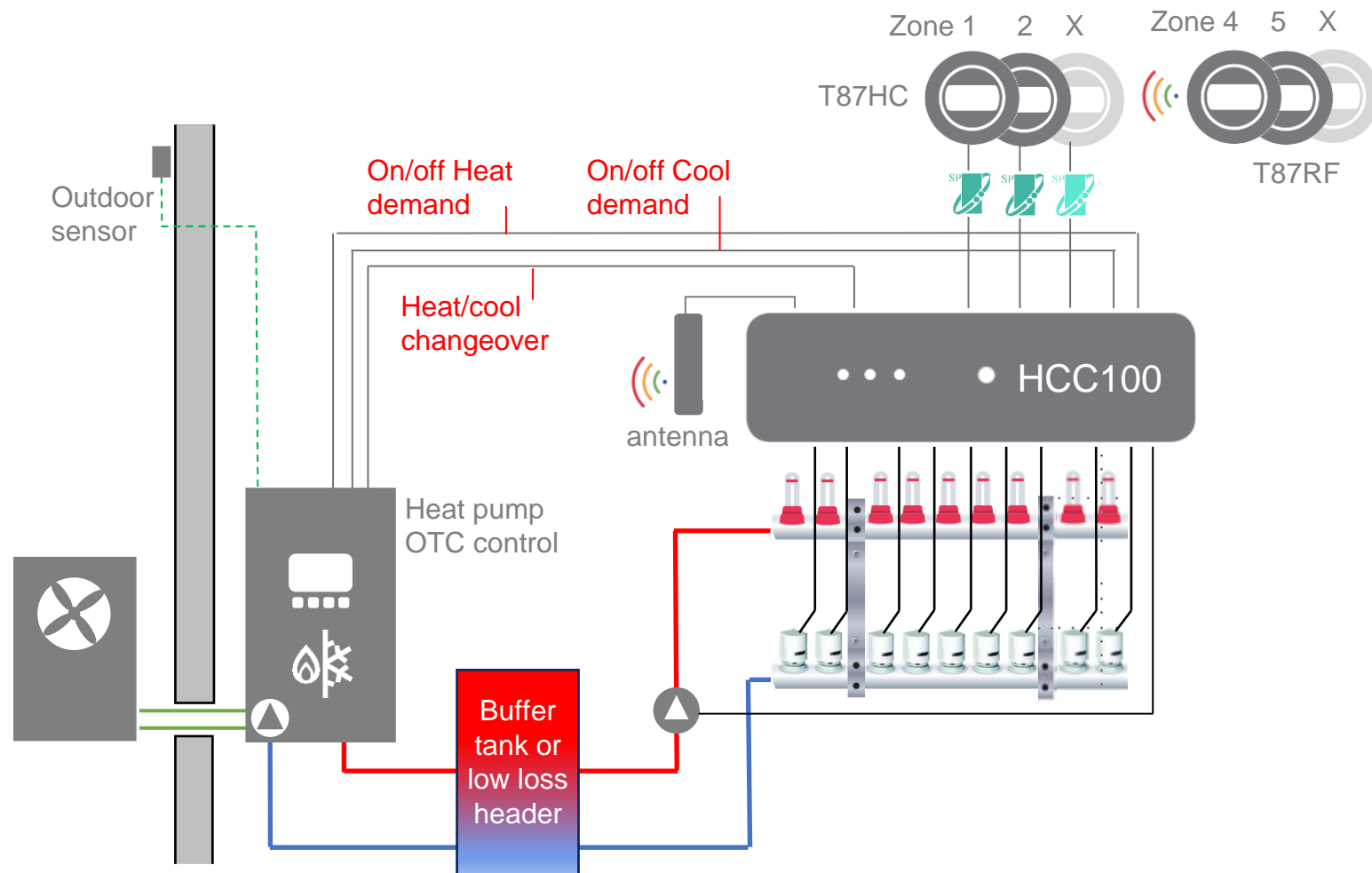
Advanced Parameters

- Maximum Supply Water Temp: 40°C
- Minimum Supply Water Temp: 28°C
- OTC Heating Curve Set: 16
- On/OFF switch differential: 5°C

Heat Pump with Buffer Storage - On/Off Control, Heating and Cooling and H/C Changeover by Thermostat

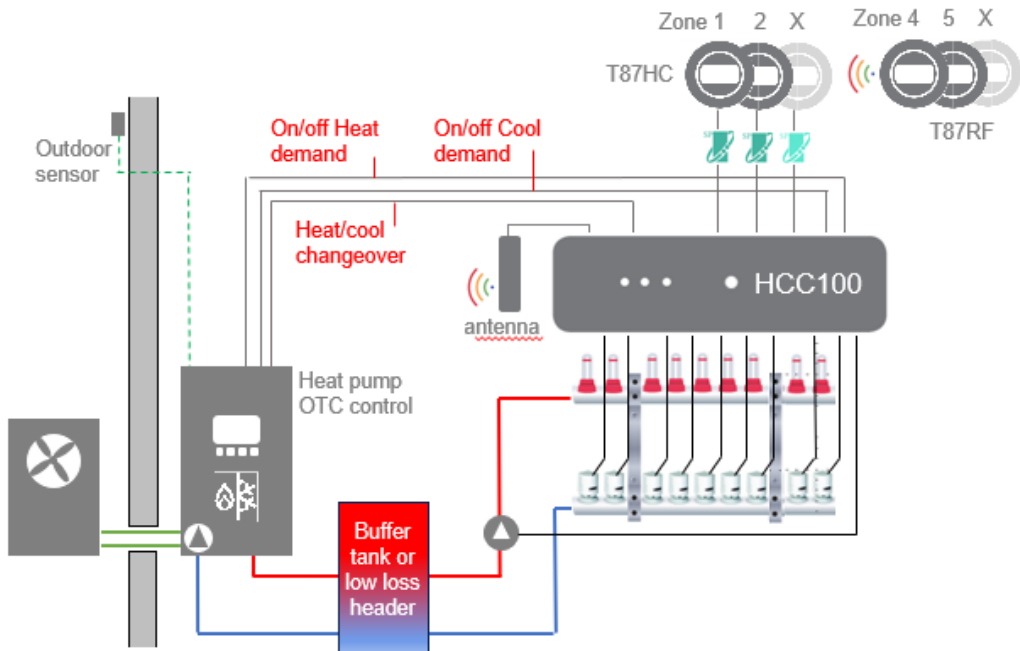
Application 3.a

- Heat pump on/off control (with OTC)
- Heat/cool change-over: Thermostat and HCC100 relay contact (output)
- Heat and cool demand controlled by HCC100 (relays)



Application 3.a

App Settings



System configuration

- Evohome: No
- System Type: Heat and Cool
- Thermo Actuator: Normally Closed
- Changeover: Heat/Cool mode output used
- Device Type: Stand alone Device
- Appliance Control: Yes

Appliance Control

- Heat Pump
- Heat and Cool demand outputs
- Heat demand: Wired output
- Cool demand: Wired output

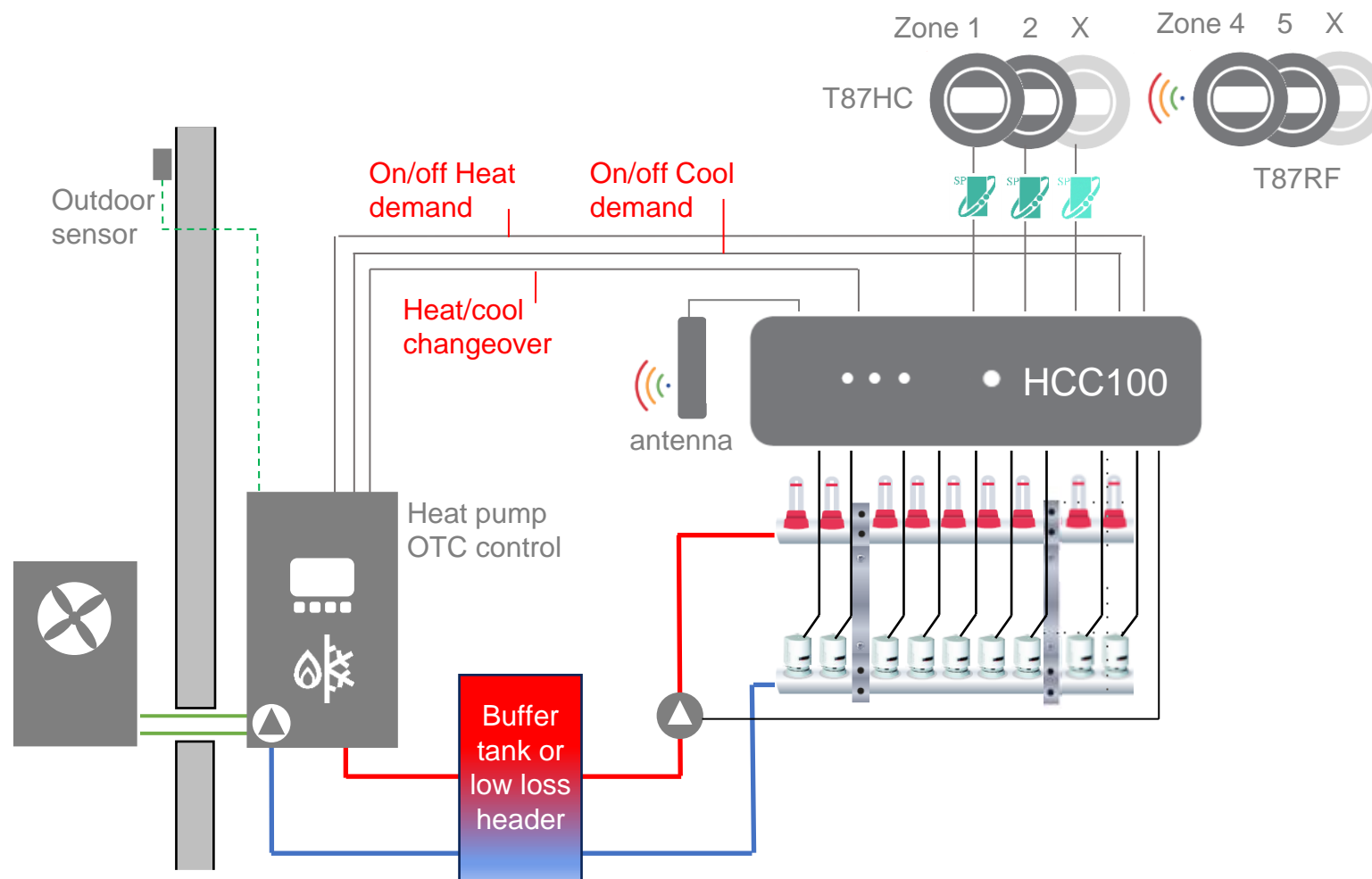
Zone Configuration

- Select the number of wireless zones
- Select actuators for Zone 1
- Select a name for Zone 1
- Select the Outputs for Zone 1
- Repeat this process with all Zones
- Edit Zones to modify configuration or Zone settings

Heat Pump with Buffer Storage - On/Off Control, Heating and Cooling and H/C Changeover by Heat Pump

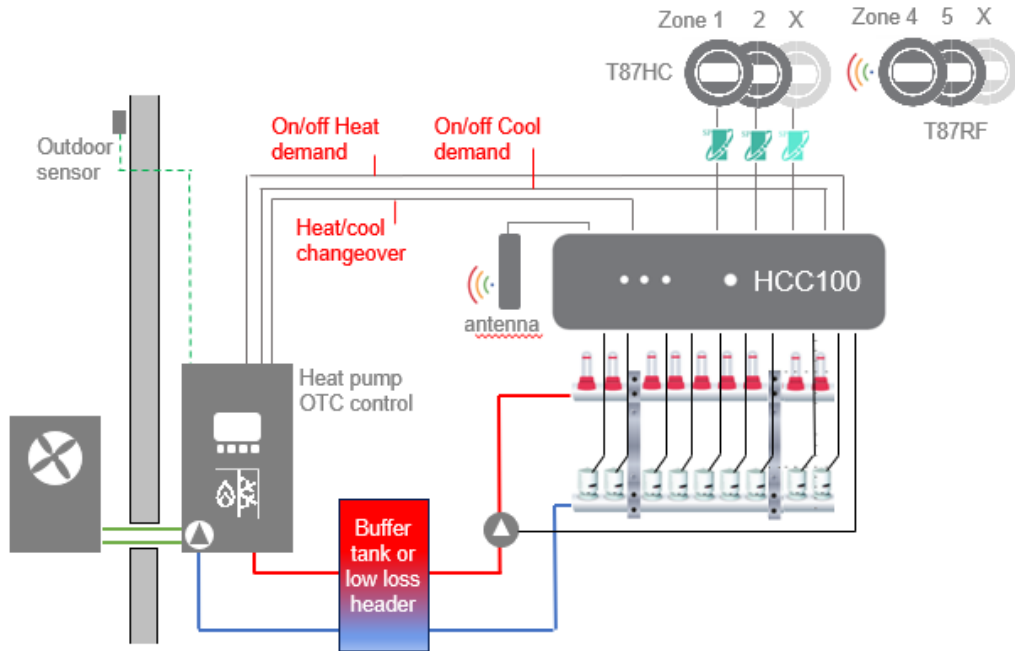
Application 3.b

- Heat pump on/off control (with OTC)
- Heat/cool change-over by heat pump with external contact (or pipe thermostat)
- Heat and cool demand controlled by HCC100



Application 3.b

App Settings



System configuration

- Evohome: No
- System Type: Heat and Cool
- Thermo Actuator: Normally Closed
- Changeover: External heat/cool input used
- Device Type: Stand alone Device
- Appliance Control: Yes

Appliance Control

- Heat Pump
- Heat/ cool mode output used
- Heat and Cool demand outputs
- Heat demand: Wired output
- Cool demand: Wired output

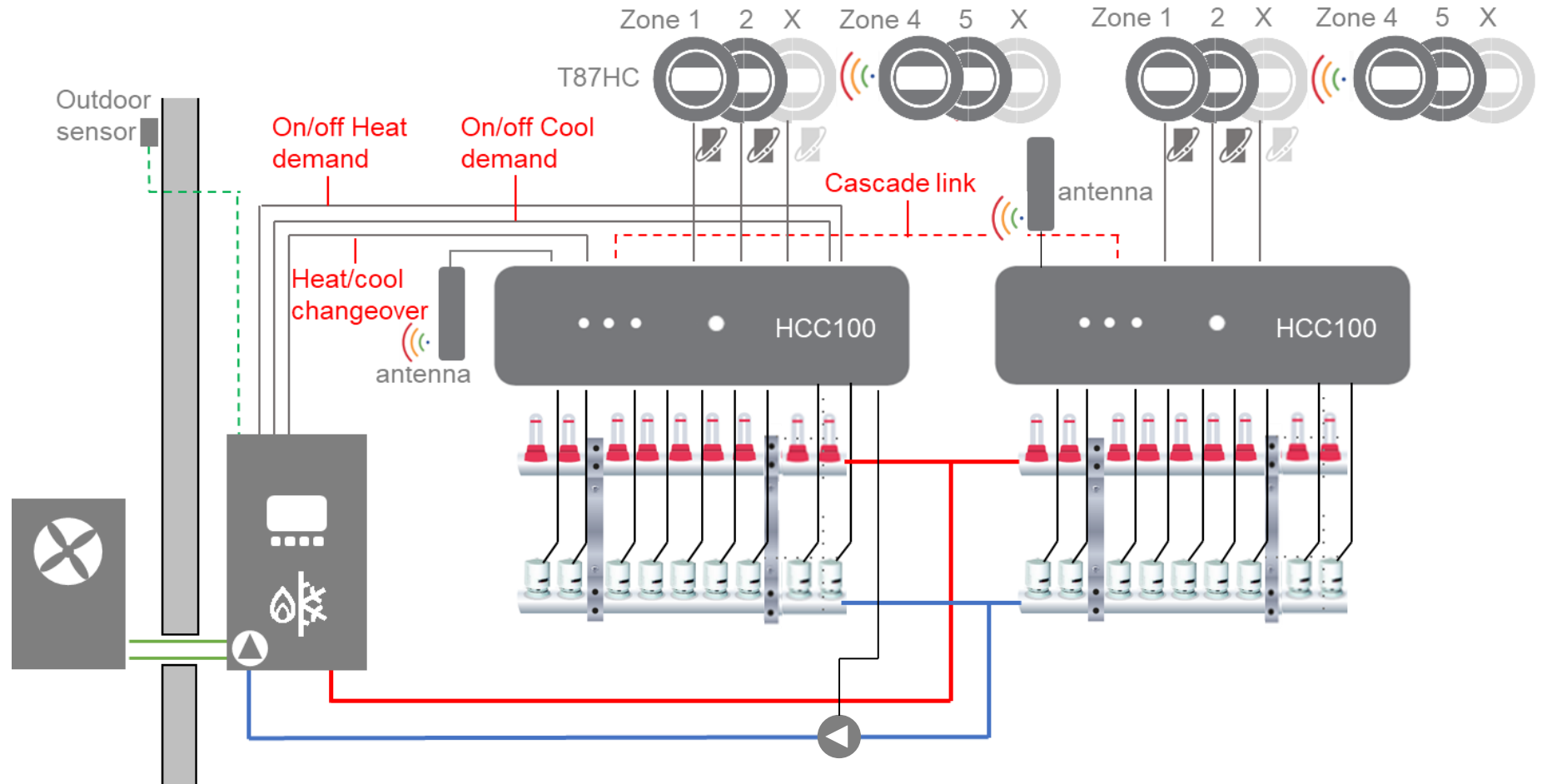
Zone Configuration

- Select the number of wireless zones
- Select actuators for Zone 1
- Select a name for Zone 1
- Select the Outputs for Zone 1
- Repeat this process with all Zones
- Edit Zones to modify configuration or Zone settings

Cascading System with Heat Pump On/Off Control, Heating and Cooling, changeover by Thermostat

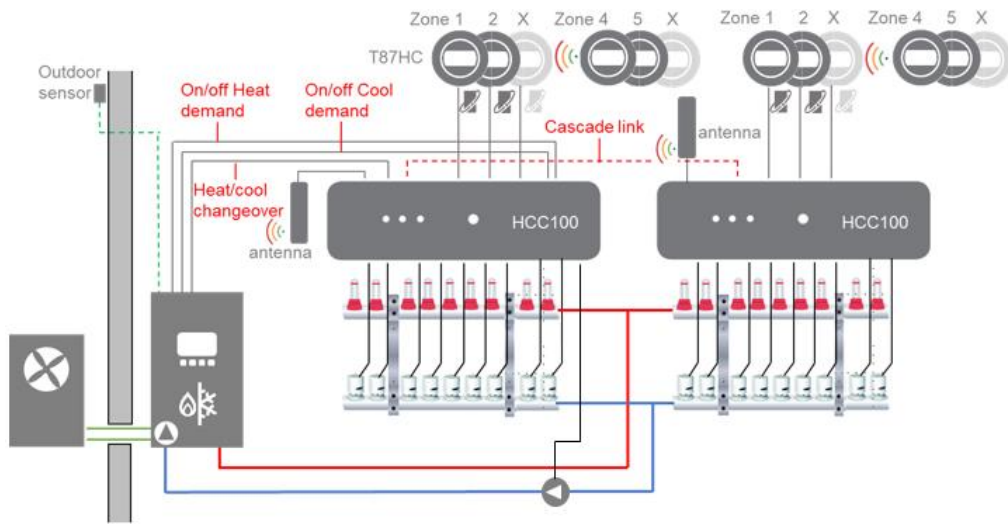
Application 4

- Multiple HCC100 controllers (max. 3)
- Heat pump on/off control (with OTC)
- Heat/cool changeover by thermostat and HCC100 relay contact (output)
- On/off demand controlled (heat and cool relays)
- Wired or wireless link between controllers
- Centralized or individual pump



Application 4

App Settings



System configuration

- Evohome: No
- System Type: Heat and Cool
- Thermo Actuator: Normally Closed
- Changeover: Heat/Cool mode output used
- Device Type: Cascaded 2 Devices
- Appliance Control: Yes

Appliance Control

- Heat Pump
- Heat and Cool demand outputs
- Heat demand: Wired output
- Cool demand: Wired output

Zone Configuration

- Select the number of wireless zones
- Prepare Evohome (Guided Configuration)
- Select actuators for Zone 1
- Select a name for Zone 1
- Select the Outputs for Zone 1
- Repeat this process with all Zones
- Edit Zones to modify configuration or Zone settings

Advance Parameters

- Central or individual pump control: Central

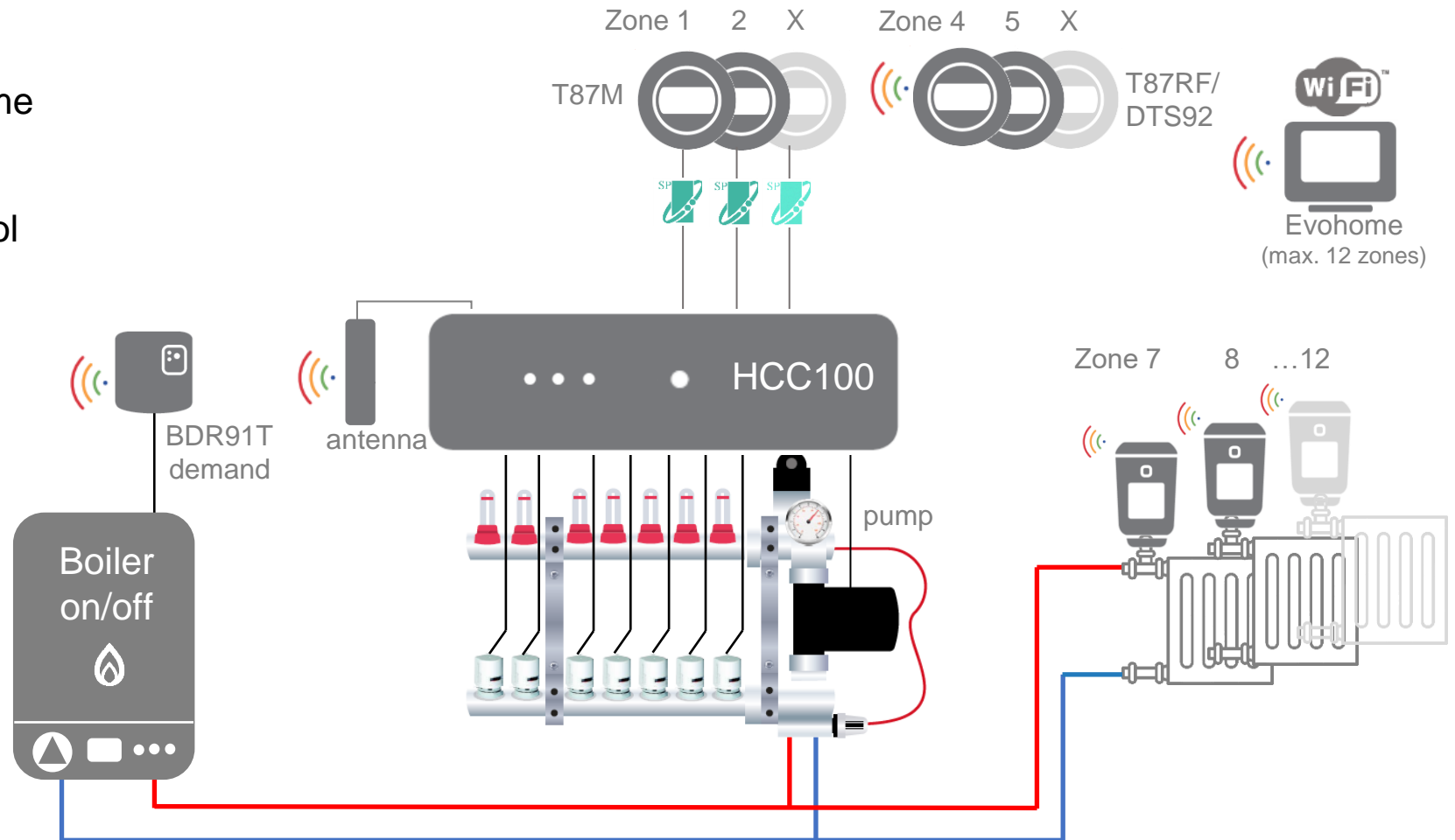


More Examples of Applications

Boiler On/Off with evohome and Radiators - On/Off Control, Heat Only, Underfloor and Radiators

Application 5

- On/off boiler – heat only
- Heat demand control by evohome
- evohome zone control
- BDR91 for on/off demand control

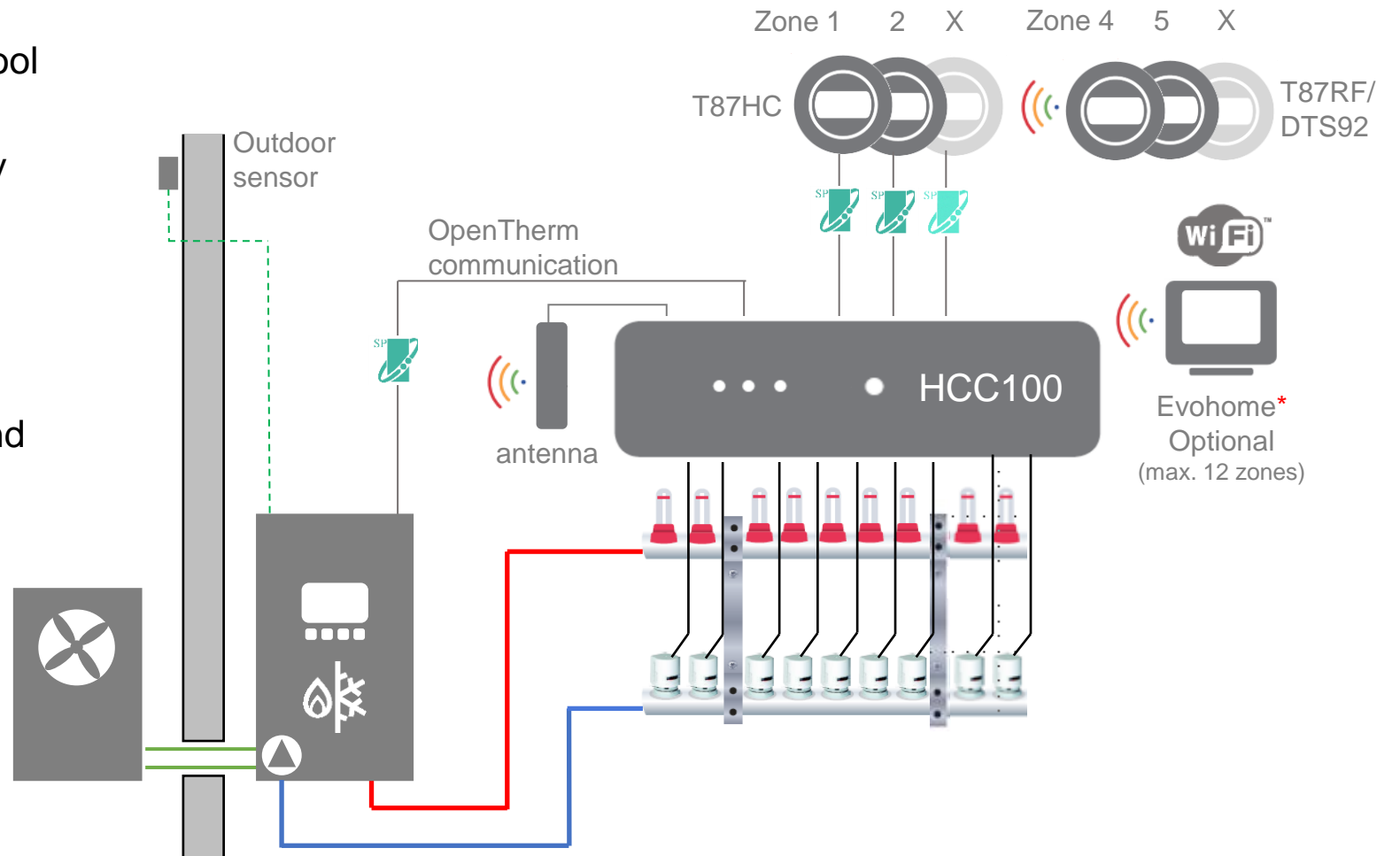


Heat Pump OpenTherm Control - Modulating, Heating and Cooling and H/C Changeover by Heat Pump or Thermostat

Application 6

- Heat pump (with OTC) – heat & cool
- OpenTherm communication
 - Heat and cool demand control by HCC100
 - Heat/cool change-over (set in handshake)
 - a. heat pump is leading
 - b. thermostat is leading
- Optional evohome zone control and heat/cool changeover*

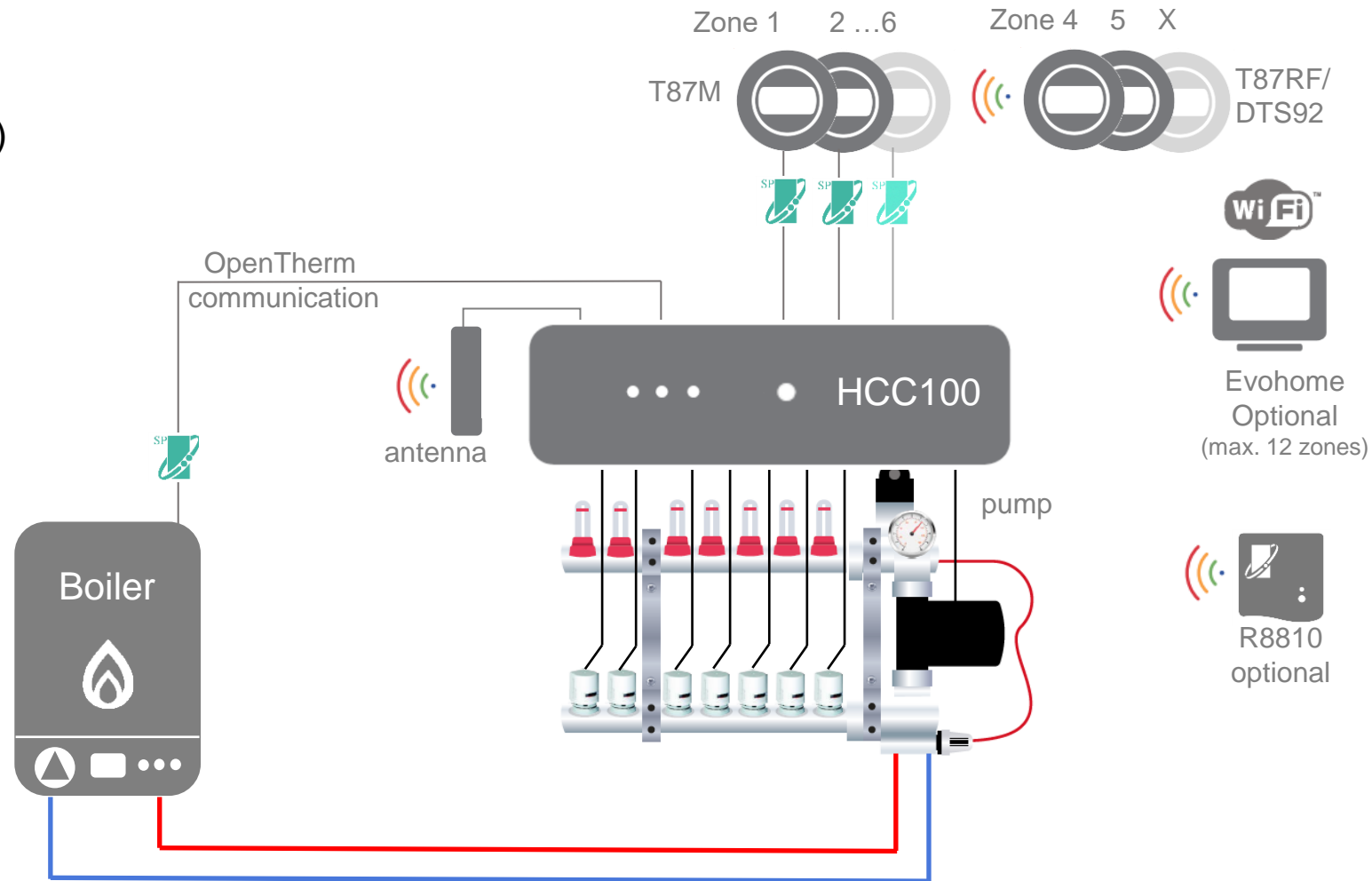
* when heat pump controls heat/cool changeover, evohome will not see this!



Boiler OpenTherm Control - Modulating

Application 8

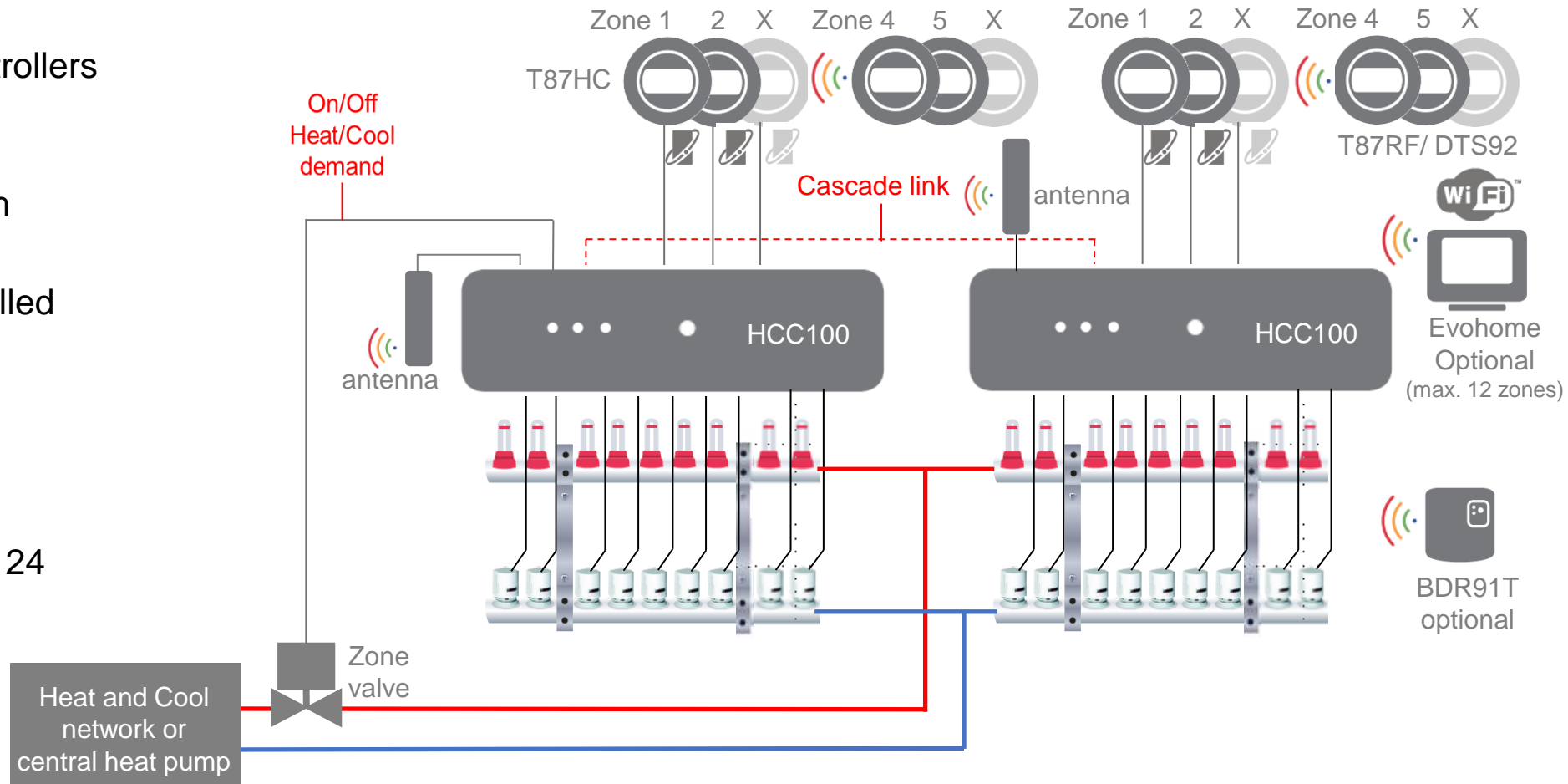
- OpenTherm boiler – heat only
- Heat demand control by HCC100 (relay)
- Optional evohome zone control
- Optional OpenTherm RF module (R8810)



Cascading System with Central Source - On/Off Control, Heating and Cooling and Heat/Cool Changeover by Heat Pump or Thermostat

Application 9

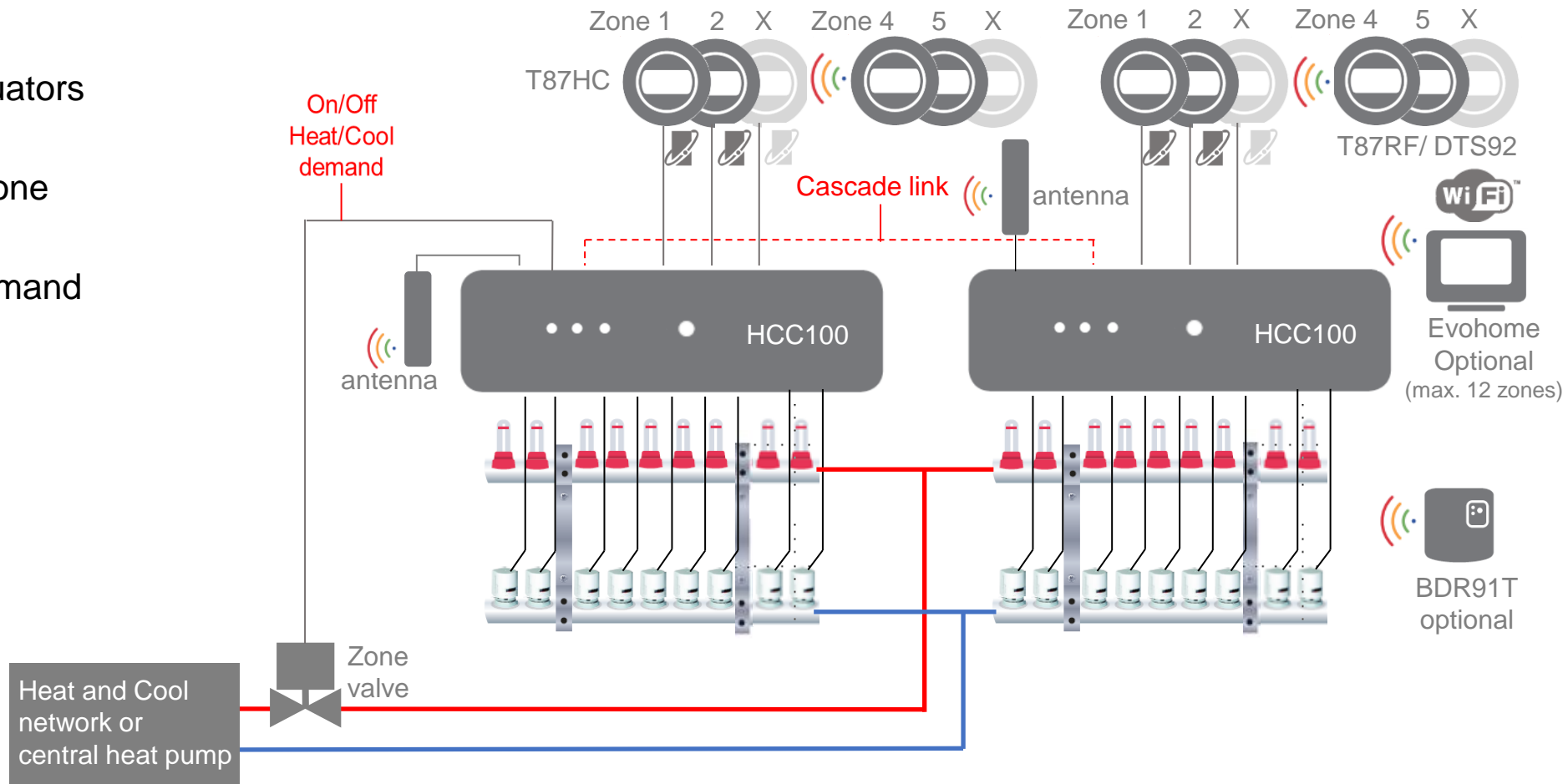
- Multiple HCC100 controllers (max. 3)
- Central heat network (always available) with integrated pump
- On/off demand controlled (heat relays)
- Wired or wireless link between controllers
- Centralized pump
- Up to 18 wired and/or 24 wireless zones
- Wired and/or wireless zone thermostats



Cascading System with Central Source - On/Off Control, Heating and Cooling and Heat/Cool Changeover by Heat Pump or Thermostat (continued)

Application 9

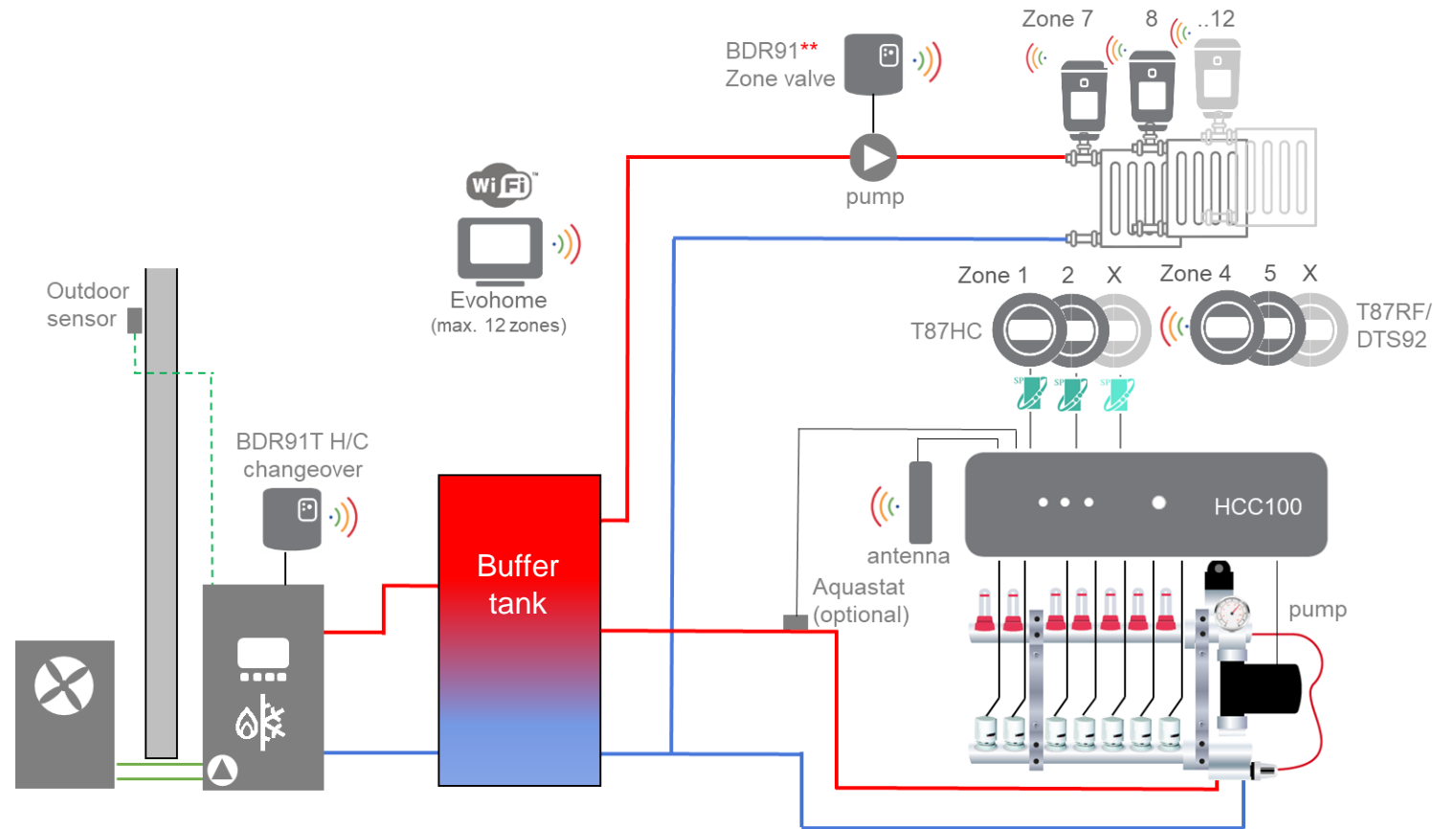
- Up to 60 thermo actuators (free configurable)
- Optional evohome zone control
- Optional wireless demand control (BDR91T)



Heat Pump with Buffer and Low + High Water Circuit - On/Off Control, Heating and Cooling with H/C Changeover by Heat Pump or Thermostat

Application 10

- Heat pump on/off control with OTC
 - Heat only system
 - High and low temperature circuits
- Low temp system pump HCC100 controlled
- High temp system pump evohome controlled*
- Aquastat triggers cool control HCC100 only (optional)
- Wired and/or wireless zone thermostats



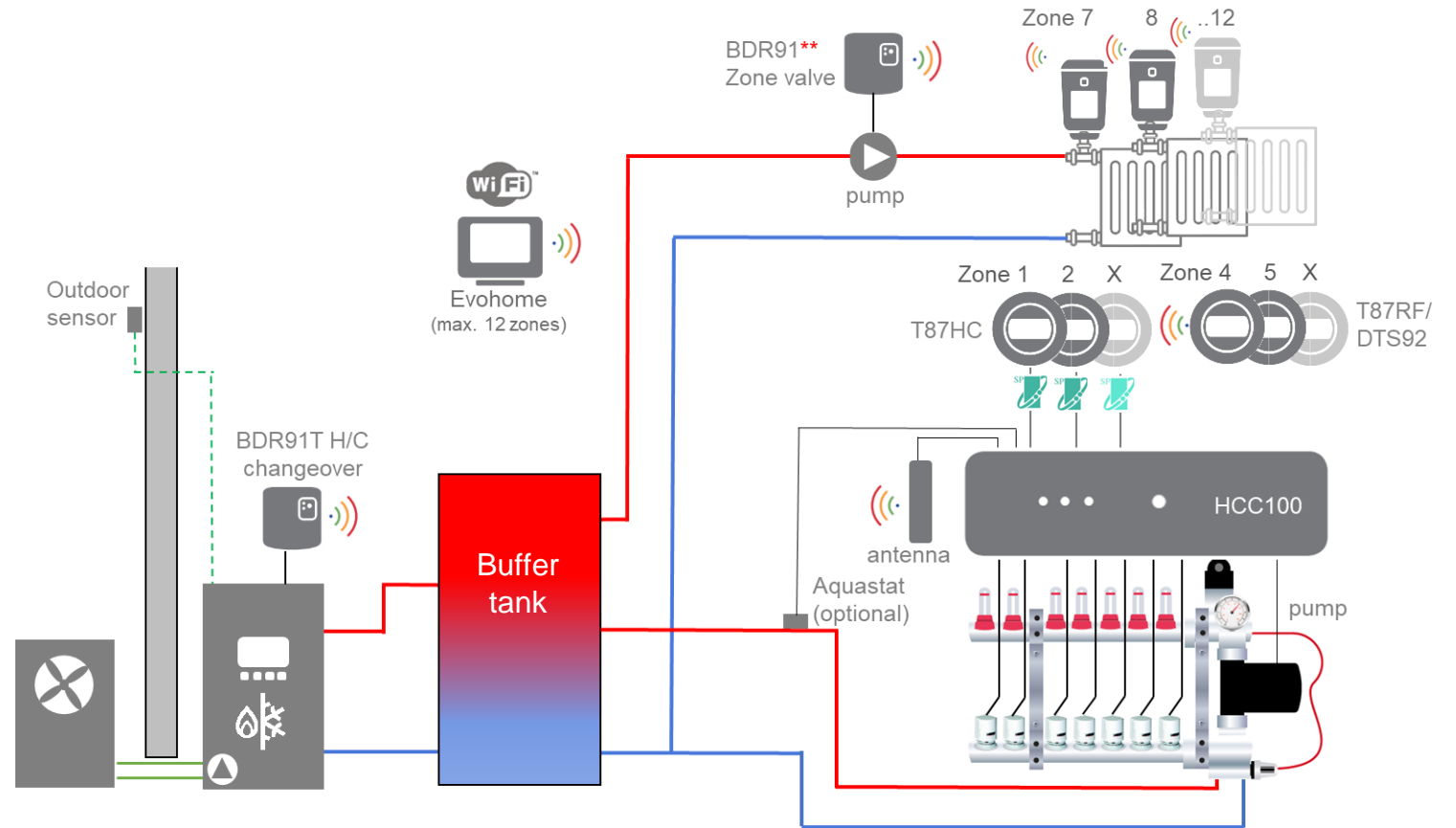
Heat Pump with Buffer and Low + High Water Circuit - On/Off Control, Heating and Cooling with H/C Changeover by Heat Pump or Thermostat (continued)

Application 10

- evohome zone control incl. radiators*
- Wireless pump control (BDR91T)

*evohome will not see cooling

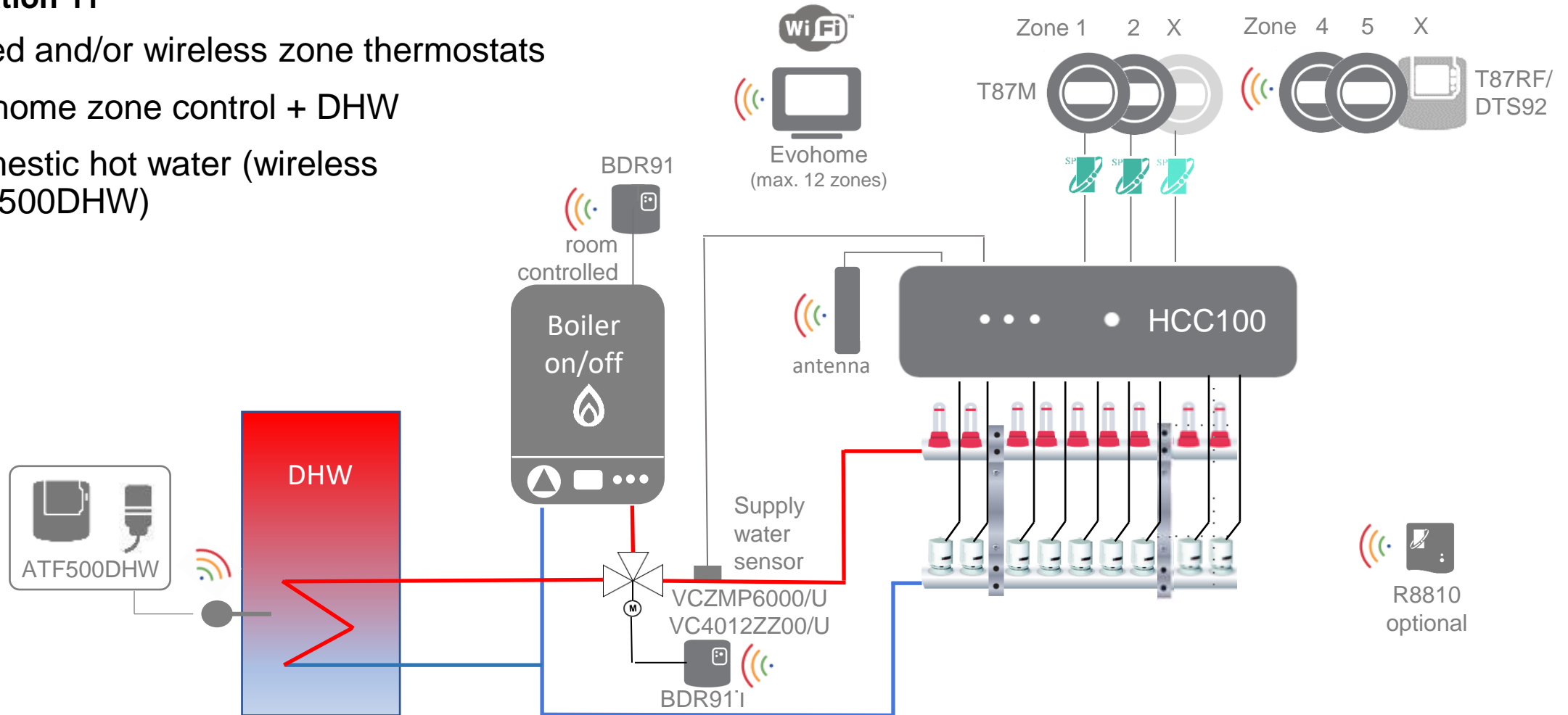
**Trick binding, initial set up Radiator zones then change to zone valve zones and bind BDR



Boiler On/Off OTC control, Heat Only, Outdoor Compensated, Supply Water Temperature, DHW

Application 11

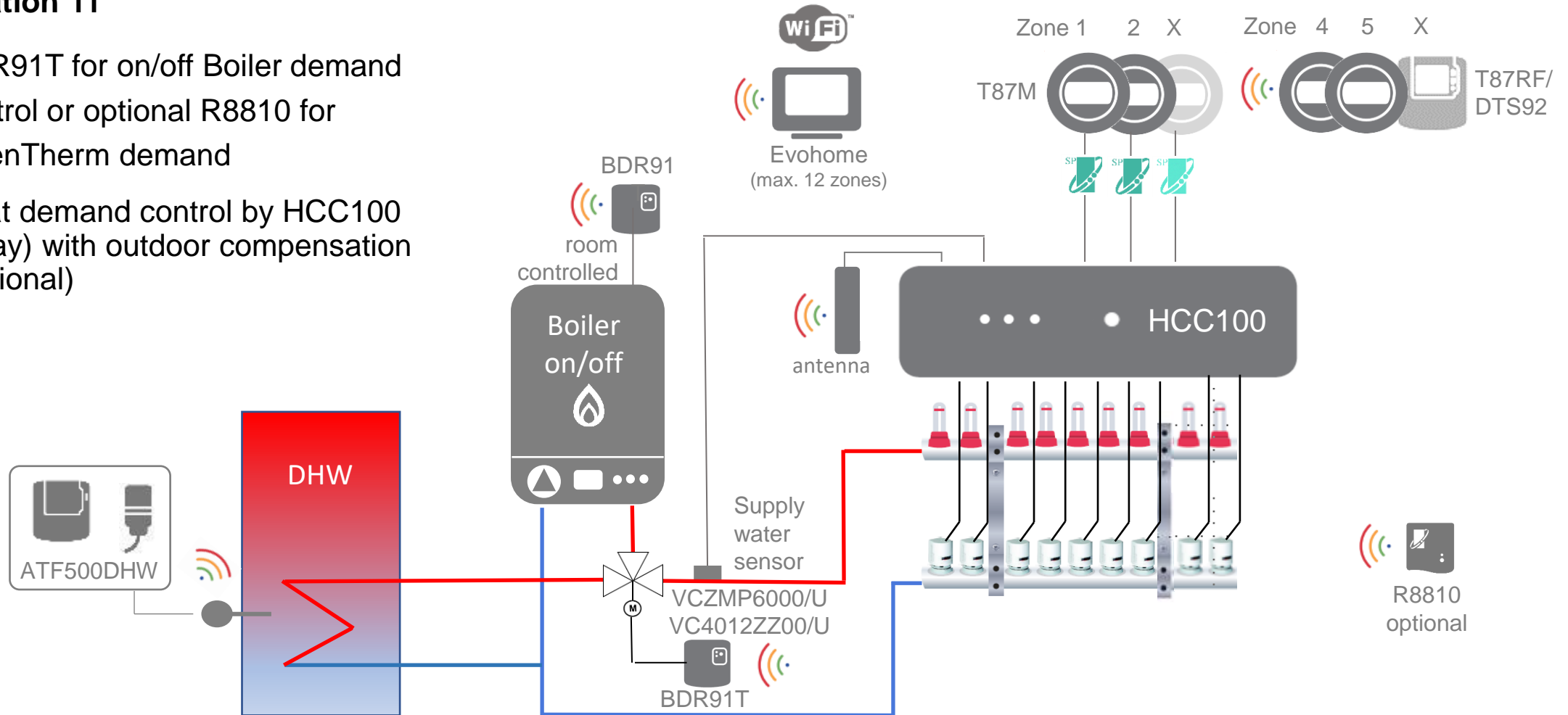
- Wired and/or wireless zone thermostats
- evohome zone control + DHW
- Domestic hot water (wireless ATF500DHW)



Boiler On/Off OTC control, Heat Only, Outdoor Compensated, Supply Water Temperature, DHW (continued)

Application 11

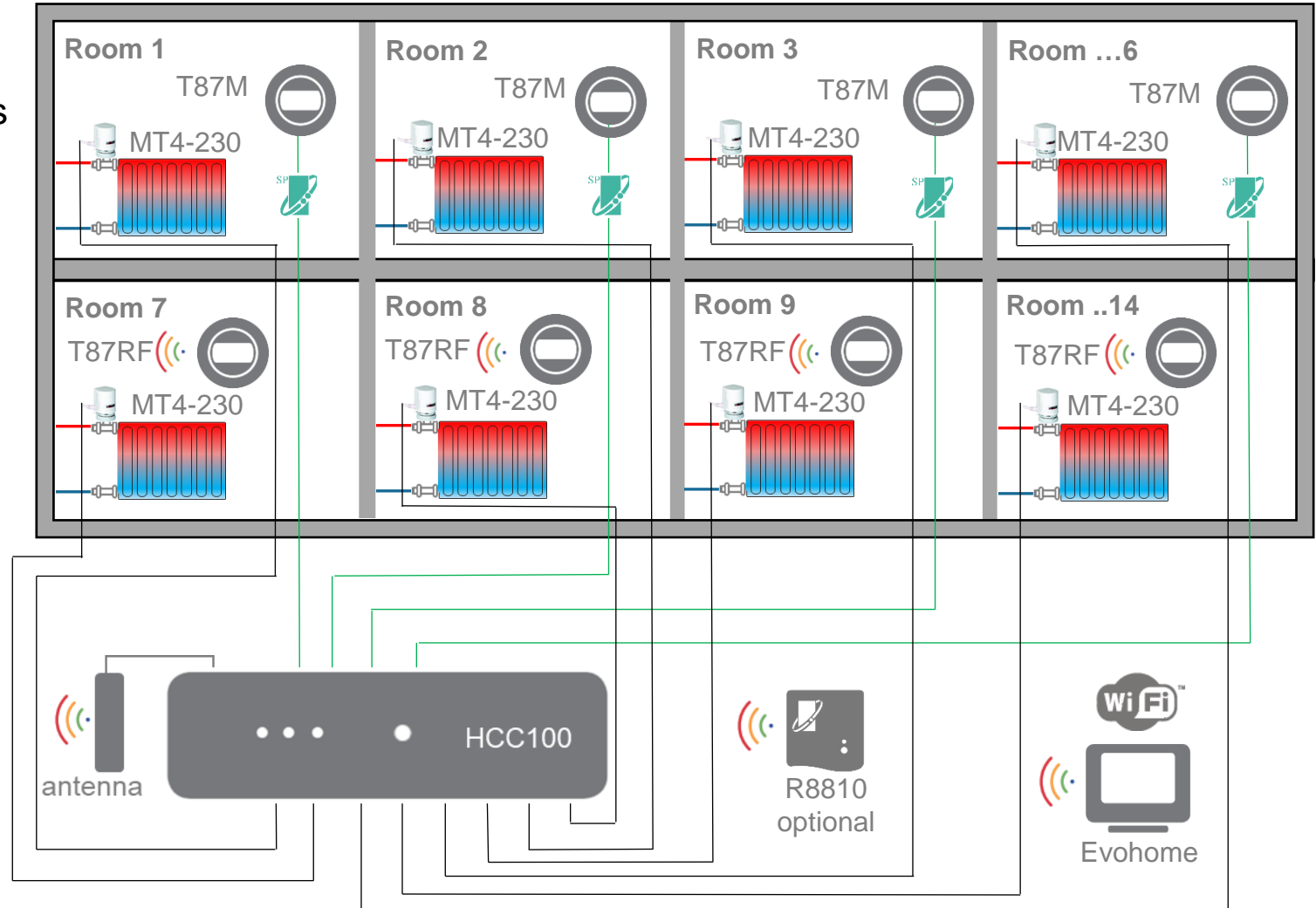
- BDR91T for on/off Boiler demand control or optional R8810 for OpenTherm demand
- Heat demand control by HCC100 (relay) with outdoor compensation (optional)



Mixed (Wired and Wireless) Zone Control with Radiators

Application 12.a.

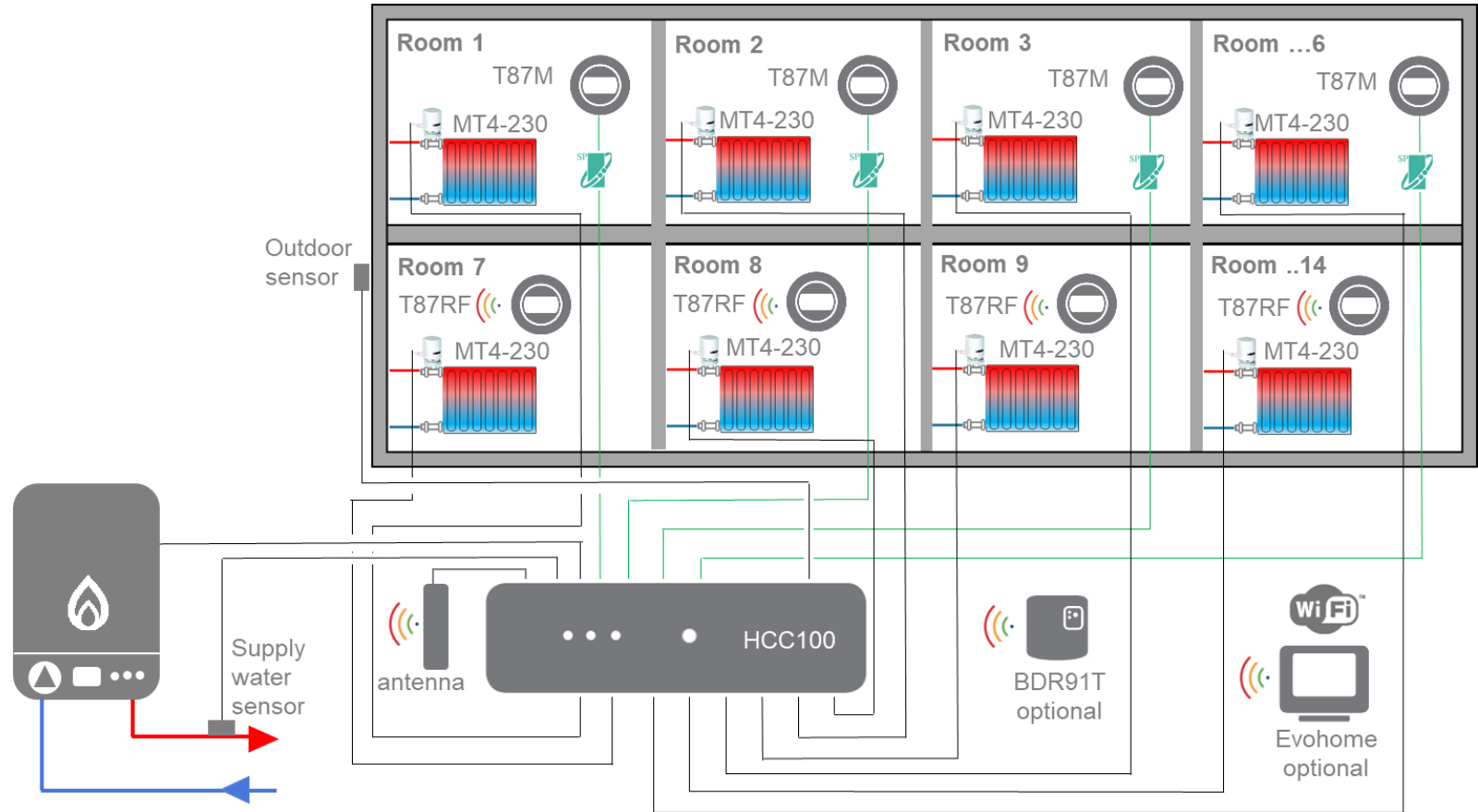
- Wired and/or wireless zone thermostats with evohome zone control



Boiler On/Off OTC Control, Outdoor Compensated Supply Water Temperature, Hybrid (Wired and Wireless) Zone Control with Radiators

Application 12.b.

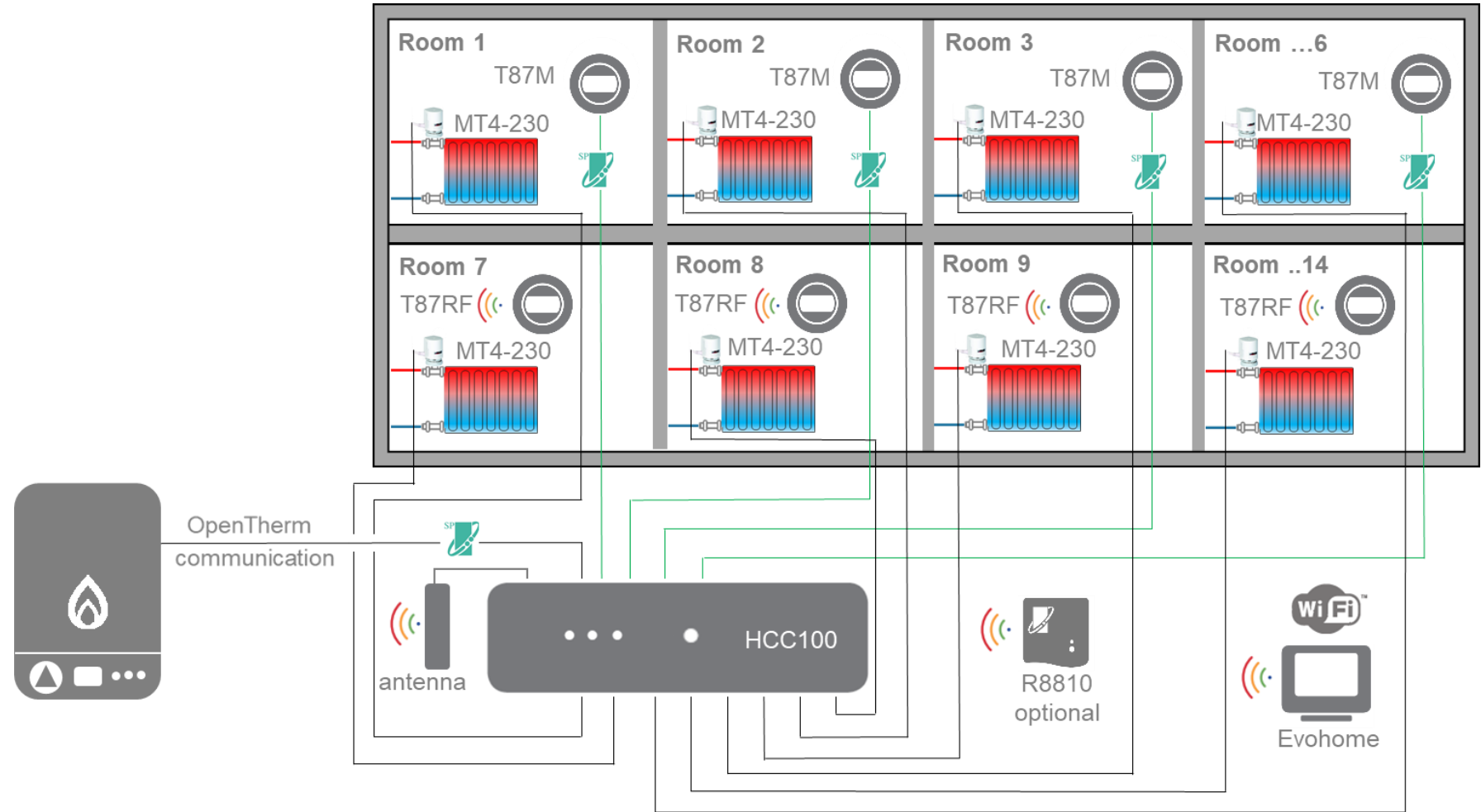
- On/off boiler – heat only
- Heat demand control by HCC100 (relay) with outdoor compensation (optional)
- Optional wireless BDR91T for on/off demand control
- Optional evohome zone control



Boiler OpenTherm Control - Modulating, Hybrid (Wired and Wireless) Zone Control with Radiators

Application 12.c.

- OpenTherm boiler
- Heat demand control by HCC100 (relay)
- Wired and/or wireless zone thermostats
- Optional evohome zone control
- Optional wireless OpenTherm RF module (R8810)





**Thank you for your interest
and your attention**