

HAVDTXX-EU Series of Duct Airflow Transmitter



The HAVDT series is intended for use in commercial environments. It is designed with a duct mount probe and adjustable collar suitable for round or rectangular ducts. The transmitter provides separate readings for air velocity and temperature. It comes with three measurement ranges in a single device (0–2 m/s, 0–10 m/s, 0–20 m/s).

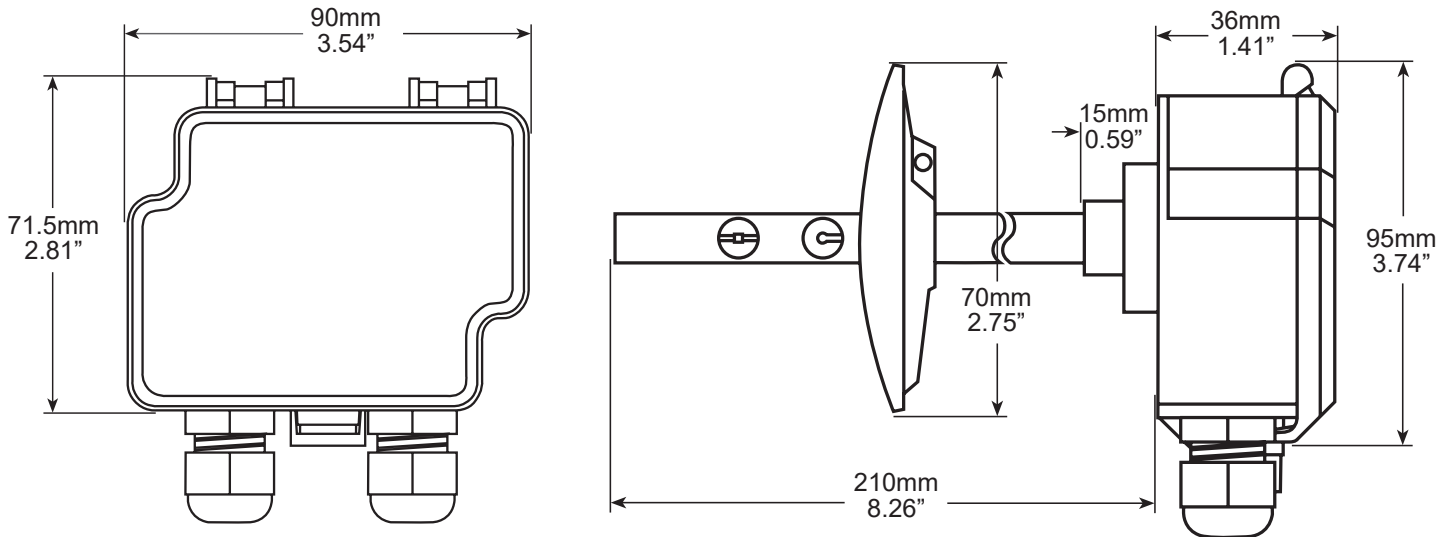
APPLICATIONS

The HAVDT duct mount air velocity transmitter is designed for use with electronic controllers in domestic or commercial heating and cooling systems.

SPECIFICATIONS

Velocity Ranges:.....	0-2m, 10 & 20m/s	Dimensions:.....	Case: 90mm W x 71.5mm H x 36mm D (3.5" x 2.8" x 1.4")
Metric Velocity Accuracy:.....	Range - 0...2 m/s: <0.2 m/s + 5% from reading Range - 0...10 m/s: <0.5 m/s + 5% from reading Range - 0...20 m/s: <1.0 m/s + 5% from reading		Probe: OD 10mm (0.394"), length 210mm (8.26") from bottom of cover
Thermal Shift:	±0.8 %FS / °C	Mounting:.....	Mounting flange, Ø4mm (11/64")
Calibration:	Units calibrated at 22°C (71.6°F) Rapid thermal shift stabilization time 10 min.	Insertion Lenth:.....	Adjustable 50-180mm (2"-7.08") with Flange
Temperature Range:.....	0 to 50°C (32 to 122°F)	Electrical Connections....	Power Supply & Signal Out: 4-screw terminal block 12-24 AWG (0.2-1.5mm2) Relay Out: 3-screw terminal block 12-24 AWG (0.2-1.5 mm2)
Temperature Accuracy:.....	<0.5°C for velocity >0.5 m/s (<0.9°F for V > 100 fpm)	Cable Entry.....	M16 (0.625") cable gland
Operating Conditions:.....	0 to 50°C (32 to 122°F), 0 to 95 %RH, non-condensing	Weight	220g (7.76oz)
Storage Temperature:.....	-20 to 70°C (-2 to 158°F)	Approvals.....	CE, RoHS
Media Compatibility:	Dry air or non-aggressive gases	Country of Origin	Finland
Output Signal 1 (Tout):.....	0-10 V (linear to temperature) L min 1K Ω 4-20 mA (linear to temperature) L max 200 Ω		
Output Signal 2 (Vout):	0-10 V (linear to m/s) L min 1K Ω 4-20 mA (linear to m/s) L max 400 Ω		
Power Supply:	24 Vdc / 24 Vac ±10%		
Current Consumption:	Current: 75 mA (90 mA with relay) Voltage: 35 mA (90 mA with relay)		
Enclosure:.....	Case: ABS Cover: Polycarbonate Ratings: IP54 (NEMA 3) Probe: 304 series stainless steel Mounting Flange: LLPDP		

HAVDTXX-EU Series of Duct Airflow Transmitter



Honeywell Building Solutions

Honeywell

North America:

1985 Douglas Drive North
Golden Valley, MN 55422-3992
+1-800-345-6770, ext. 606

Europe, Middle East, Africa & India:

Honeywell House
Arlington Business Park
Bracknell, United Kingdom RG12 1EB
+44-(0)1344-656000

North Asia:

Zhang Jiang Hi-Tech Park
No. 430 Li Bing Rd., Pudong New Area,
Shanghai, 201203, China
+86-21-2894-2000

South Asia Pacific:

2 Richardson Place
Sydney NSW 2113
+612-9353-7000

www.honeywell.com

ORDERING: HAVDTXX-EU

Printed on recycled paper containing
15% post-consumer waste.



April 2021
© 2021 Honeywell International Inc.

Honeywell

 **AutomatikCentret**

Strandvejen 42 • Saksild • 8300 Odder
86 62 63 64 • www.automatikcentret.dk
info@automatikcentret.dk