

EW147P2001

This installation guide is intended for trained personnel and therefore does not include basic working steps.

### IMPORTANT

The seal on the meter must not be damaged! A damaged seal will result in immediate invalidation of the factory warranty and calibration / conformity.

### SCOPE OF DELIVERY

- Basic meter  
AQUARIUS S prepared for retrofitting **IZAR RS 868 MHz** or **IZAR RS 434 MHz** radio segment  
or  
AQUARIUS P with pulse output
- 2 flat seals for coupling

### INSTALLATION LOCATION

- Include all taps in a system
- Do not install water meters in circulation pipes
- Install water meters in easily accessible locations (for reading and replacement purposes)
- An additional clear height of 20 mm is required for retrofitting the **IZAR RS** radio segment

### INSTALLATION OF METER

- Fit a stop valve in the pipe before the water meter
- Thoroughly flush out the pipe
- Turn off the water and empty the pipe
- **Coupling**  
Use a 1/2" or 3/4" coupling and the flat seals supplied with the meter!  
Use a reduction sleeve if necessary.
- Clean the sealing surfaces
- Install the meter in the correct direction of flow (as shown by arrow)
- Seal the coupling
- Open the tap
- Open the stop valve before the meter **slowly** to avoid damaging the measuring insert
- Close the tap and check the system for leaks

### Additional installation for tap connection

- (e.g. washing machine, garden hose, etc.)
- Screw the coupling with inlet seal onto the meter coupling (AGZ)
  - Screw hose or washing machine coupling with outlet seal onto the meter coupling
  - Observe the correct direction of flow (as shown by arrow)

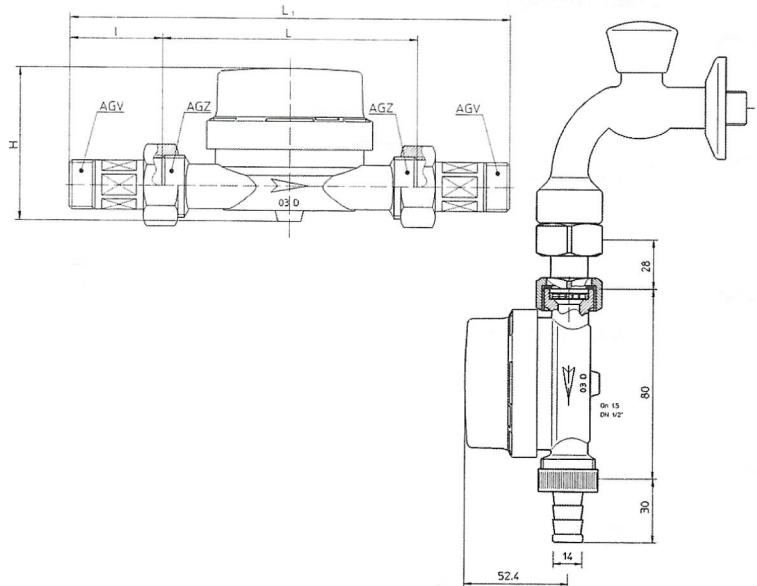
### NOTE

- The meter must be installed in compliance with the requirements of E06 / EN 14154.
- Any additional standards for drinking water installations (e.g. DIN 1988) must also be observed.
- Medium: drinking water

### TRANSPORT AND STORAGE

- Store meter in a frost-free place.
- Water meters are precision devices and must be protected against impact and vibration!

### DIMENSIONS

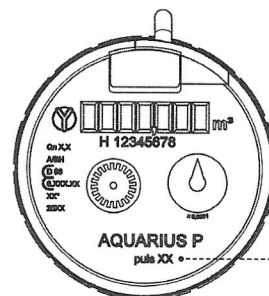


Variant	Overall length L mm	Meter coupling AGZ	Overall length L1 mm	Screw coupling AGV	Height H mm	Weight without coupling kg
Standard without / with pulse output	80	G 3/4 B	160	R 1/2	66	0.40
	110		190			0.44
	130		210			0.54
Tap connection	80	G 3/4 - d14	138	66	0.40	
	110		168		0.44	
	130		188		0.54	

### AQUARIUS P

- Use a water meter with the correct pulse value
- There are two versions:  
Pulse value 10 l/pulse  
Pulse value 100 l/pulse
- Contact rating 24 V ~ 0.2 A

The pulse value of the meter is shown on the type plate!



Pulse value 10 l/pulse  
or 100 l/pulse