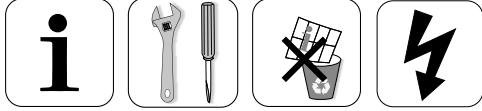


**ESBE**  
CRx200

**AutomatikCentret**

Strandvejen 42 • Saksild • 8300 Odder  
86 62 63 64 • [www.automatikcentret.dk](http://www.automatikcentret.dk)  
[info@automatikcentret.dk](mailto:info@automatikcentret.dk)



Series CRA200  
Series CRB200  
Series CRC200

Series CRD200  
Series CRK200  
Series CRS200

LVD 2014/35/EU  
EMC 2014/30/EU  
RoHS 2011/65/EU  
RED 2014/53/EU  
EN 300220-2

CE EAC UK CA



DECLARATION OF CONFORMITY  
<https://www.esbe.eu/group/support> (Contorlrs/Certificates)

**i**



Series CRA210  
Series CRB210, CRB220  
Series CRC210  
Series CRD220,  
Series CRK210  
Series CRS210



VRG, VRB, VRH

3MG, 4MG



3G, 4G

3F, 4F ≤ DN50

3HG, 4HG, 3H, 4H

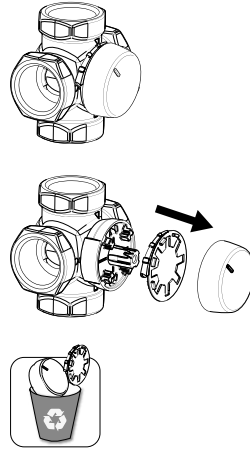
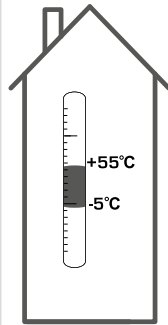


BIV

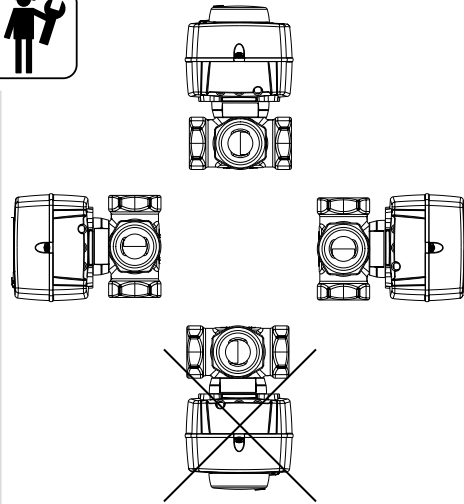
T, TM

**i**

**1**



**2**

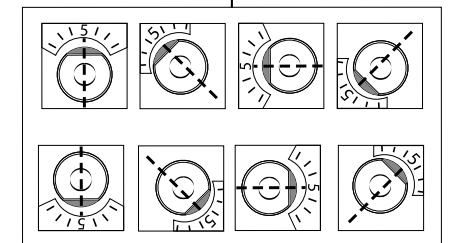
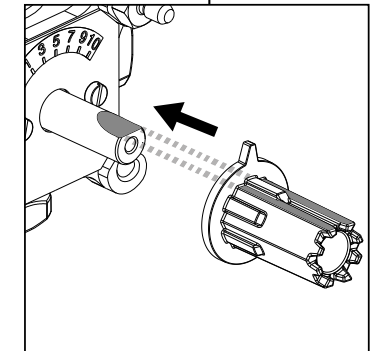
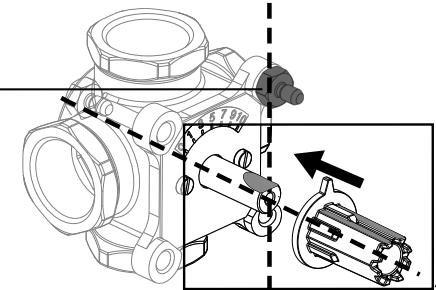


**3**

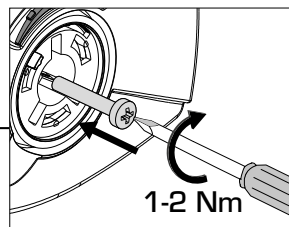
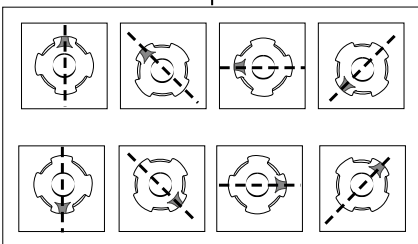
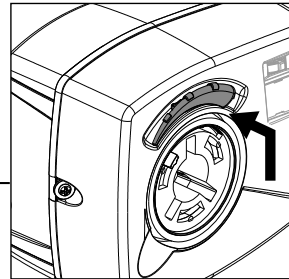
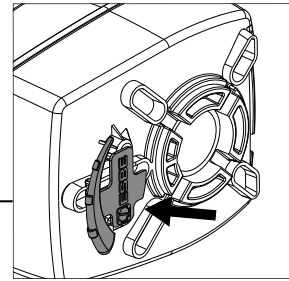
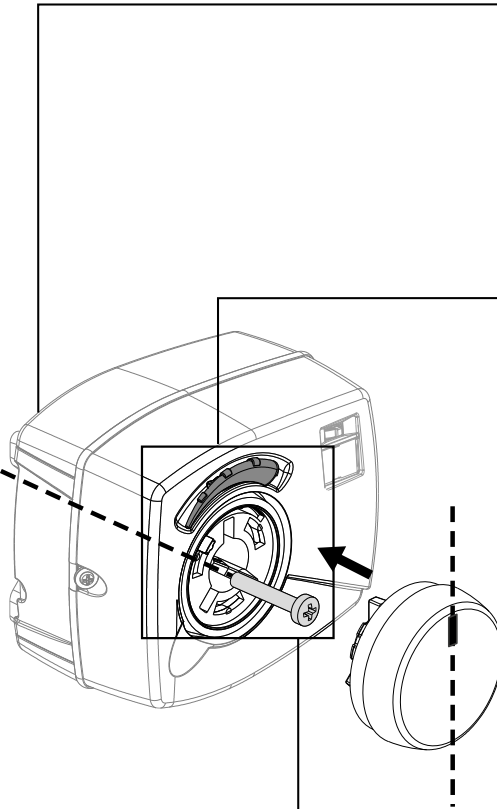
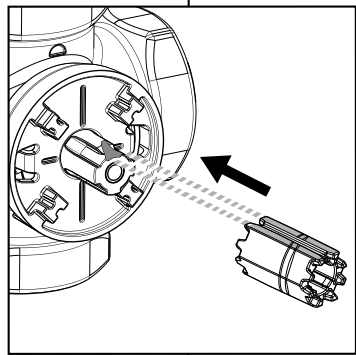
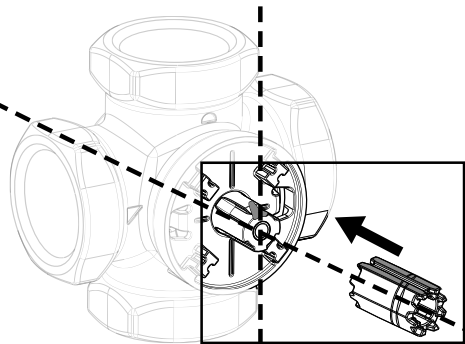


**MG, G, F, H, HG, BIV, T, TM**

|  |            |  |
|--|------------|--|
|  | DN15-25    |  |
|  | DN20-40    |  |
|  | DN50       |  |
|  | DN20-25    |  |
|  | DN32-50    |  |
|  | H: DN25    |  |
|  | H: DN32-50 |  |
|  | HG: DN25   |  |
|  | DN20-22    |  |
|  | DN25       |  |
|  | T: DN20-32 |  |
|  | TM: DN20   |  |

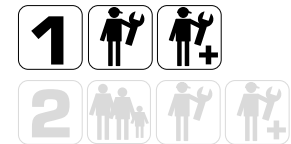


**VRG130, VRG140,  
VRG230, VRG330  
VRB140, VRH130**



**ESBE®**  
www.esbe.eu

Mtrl.n: 98141094 Rltn.n: 9326 vers. A • Rev. 2021-06-08

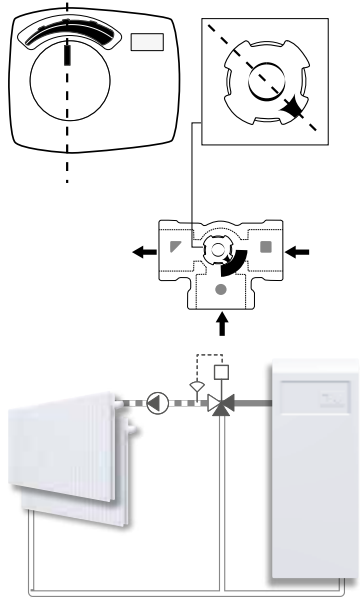


**SERIES  
CRx200**

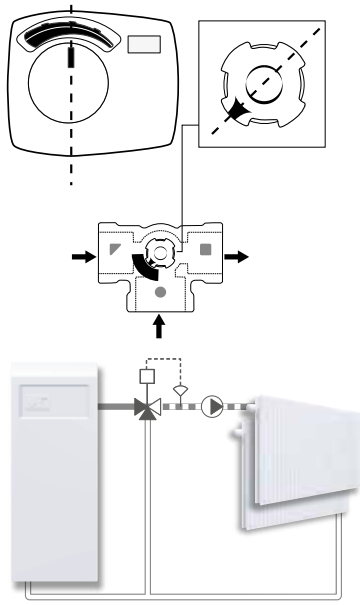
**ESBE®**

**SERIES VRG130**

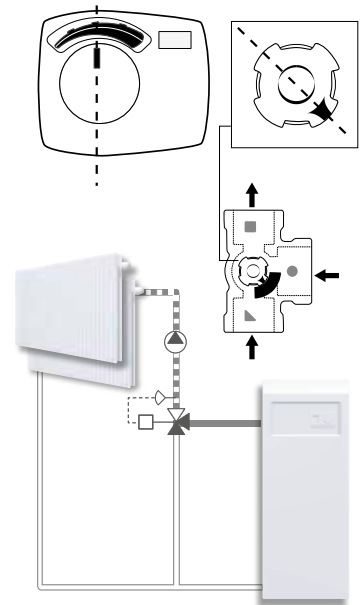
**a**



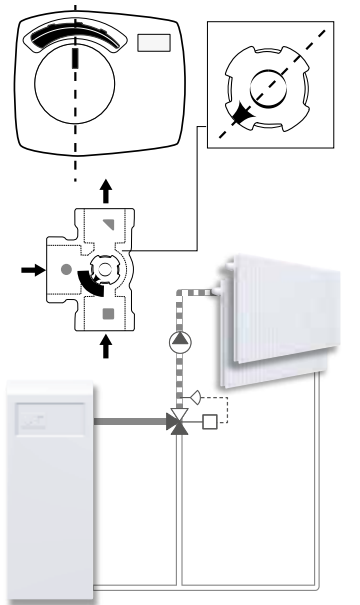
**b**



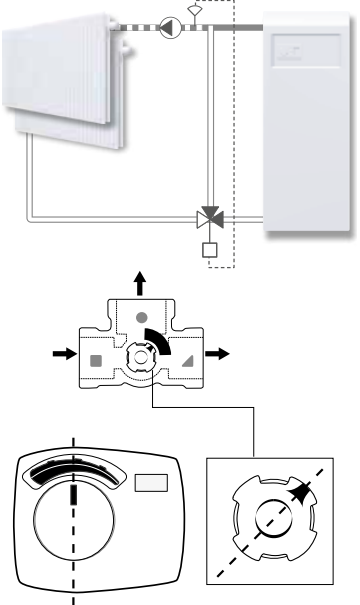
**c**



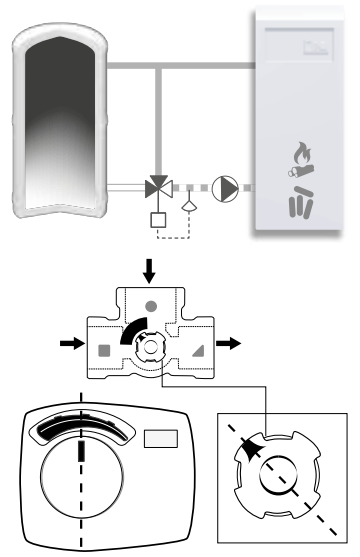
**d**



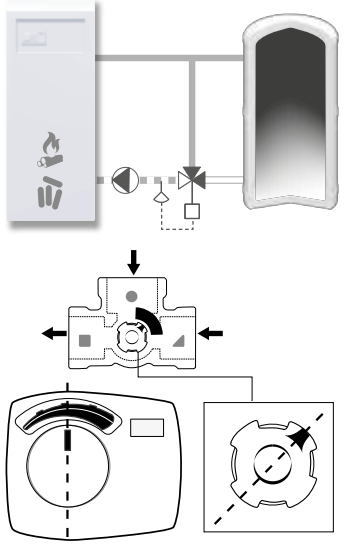
**e**



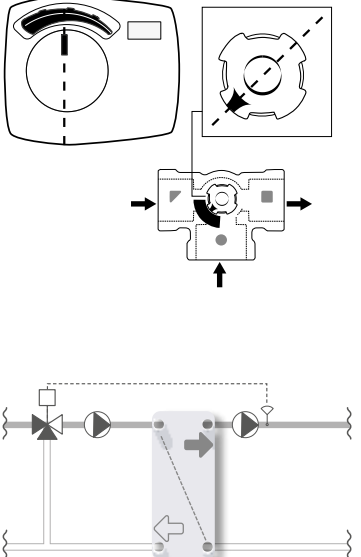
**k**



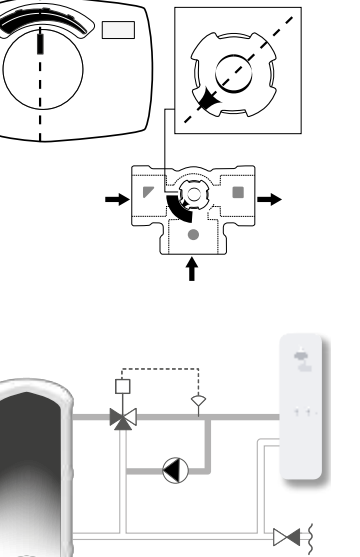
**l**

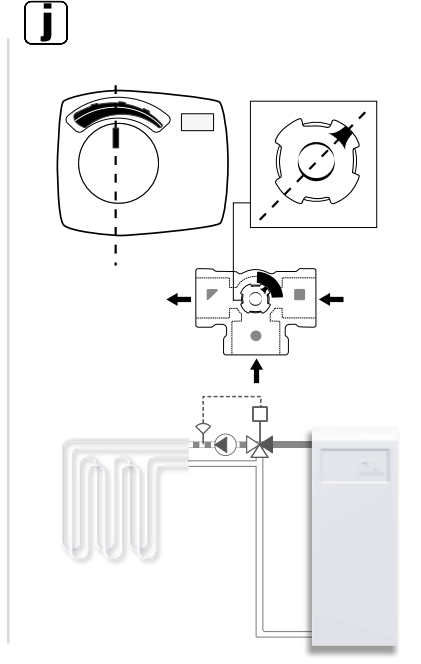
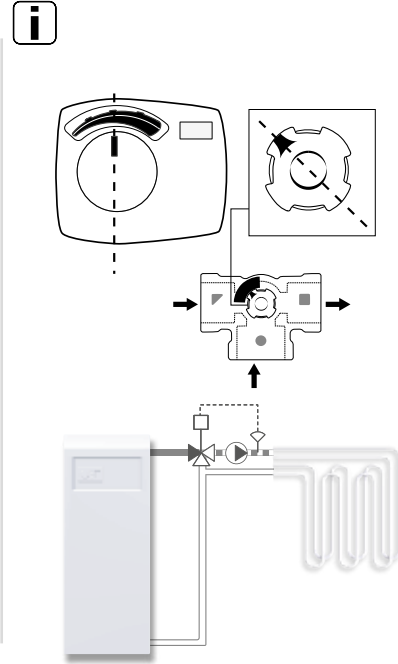
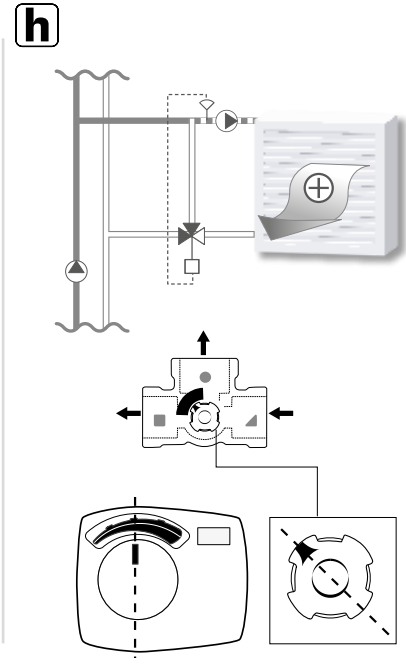
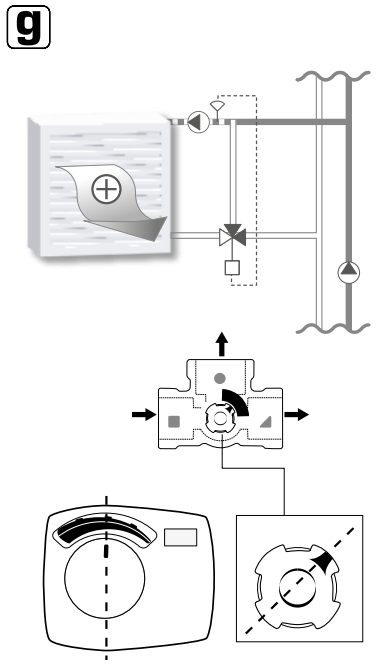
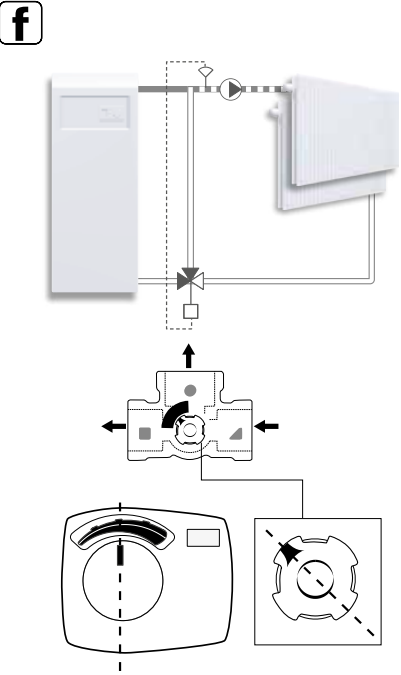


**m**

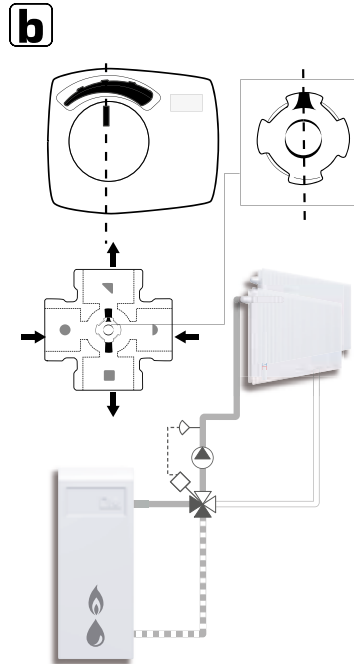
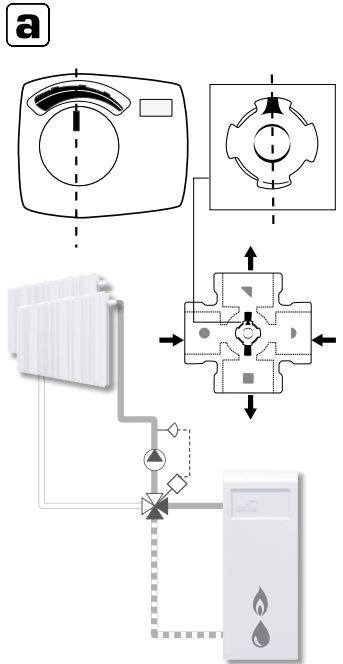


**n**

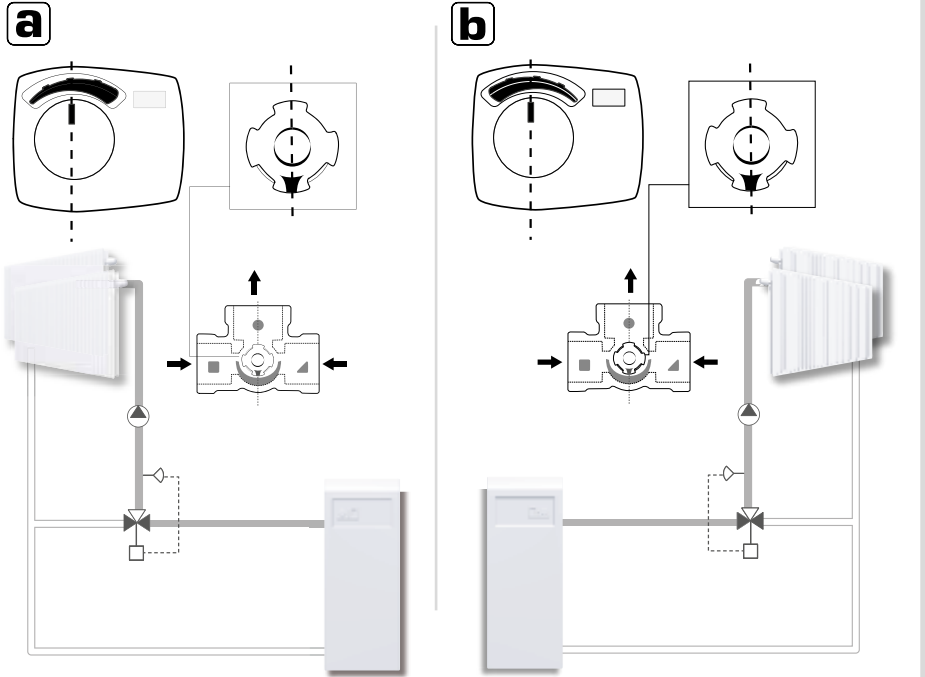




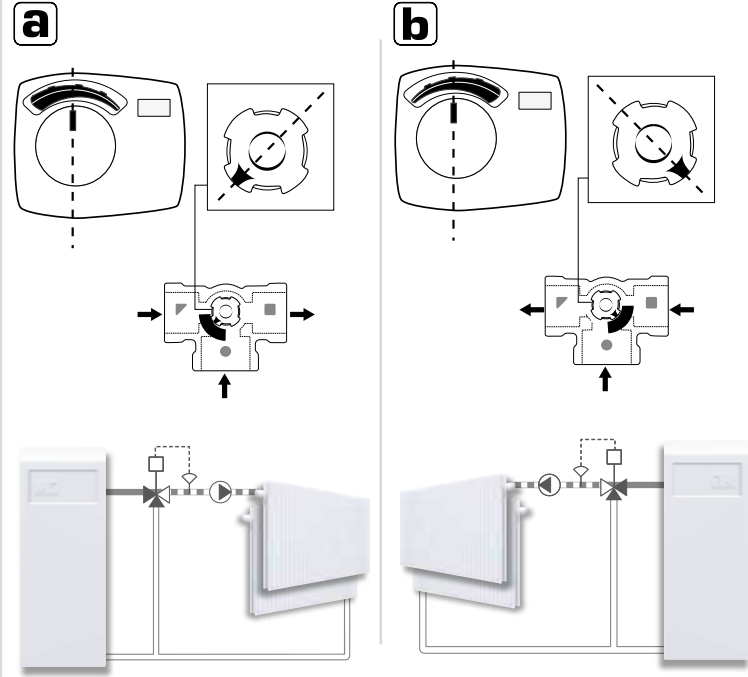
**SERIES VRG140**



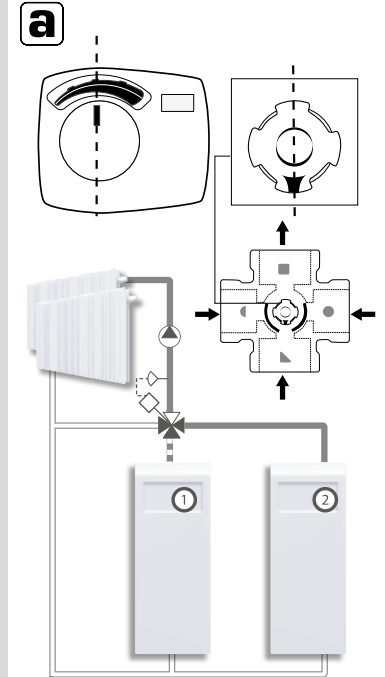
### SERIES VRG230



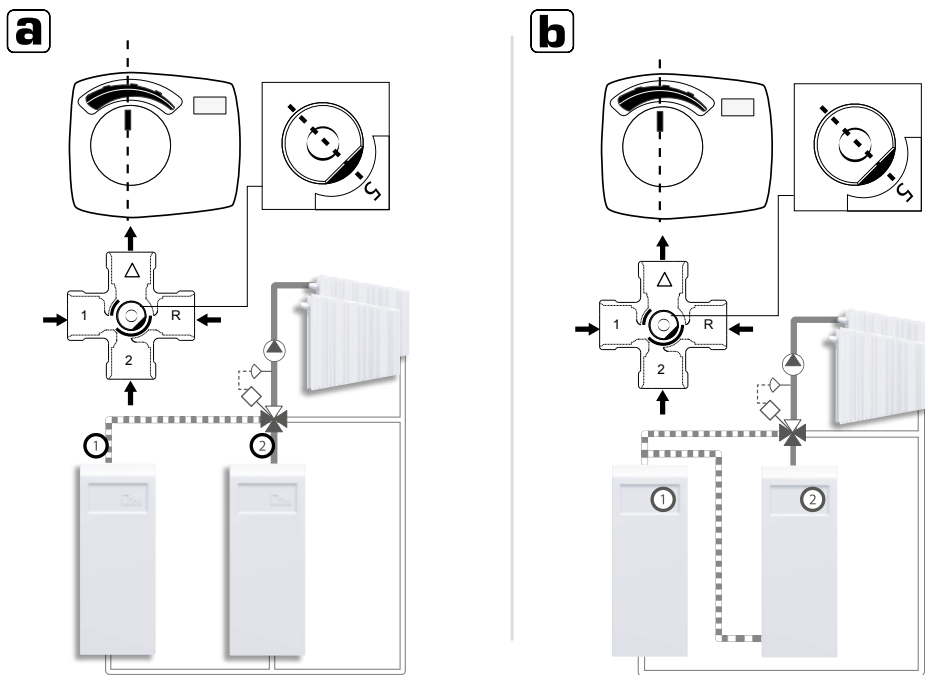
### SERIES VRG330

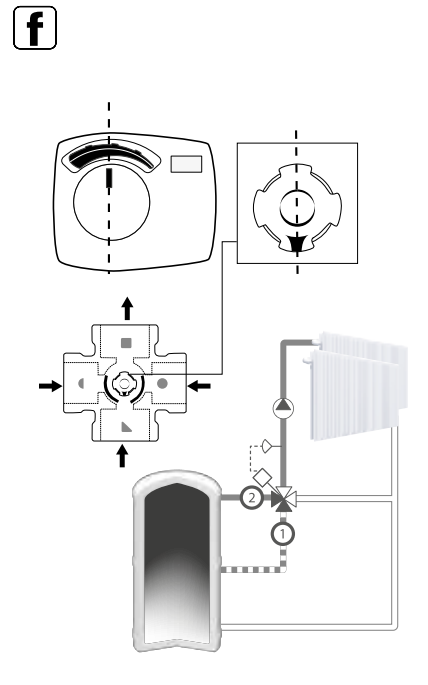
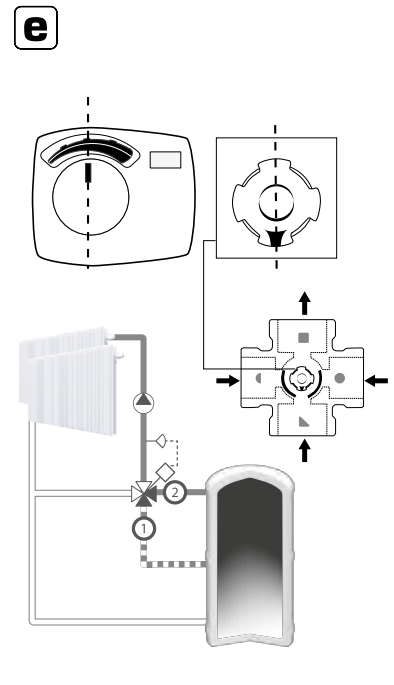
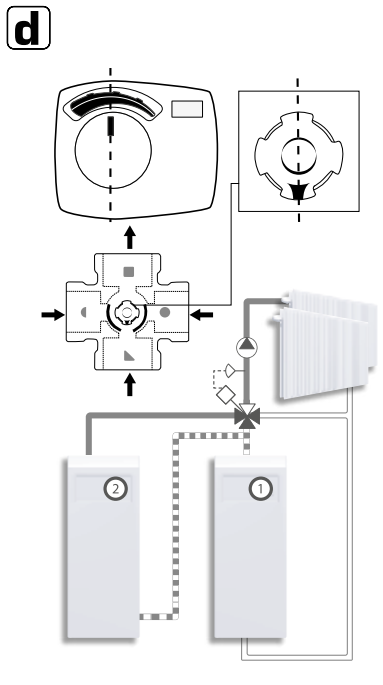
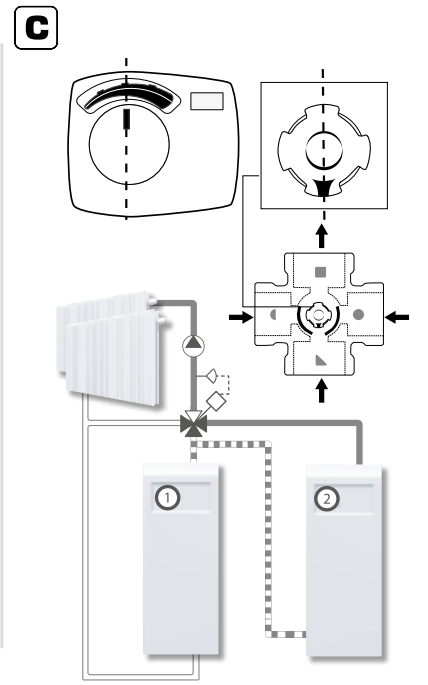
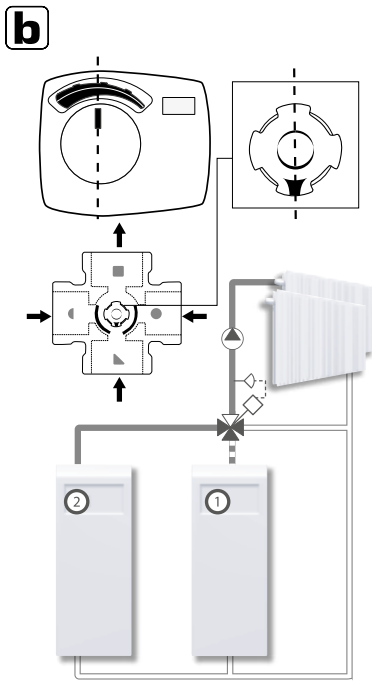


### SERIES VRB140



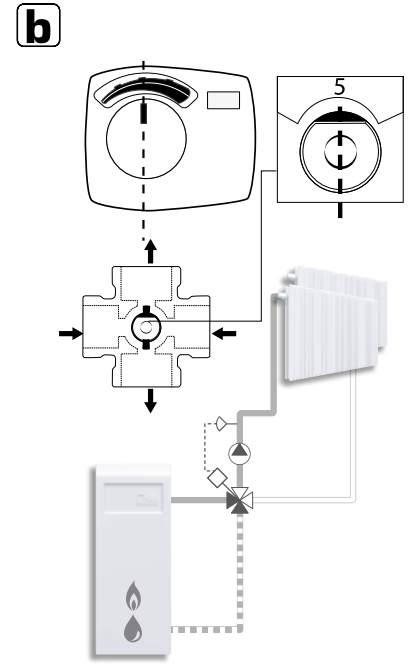
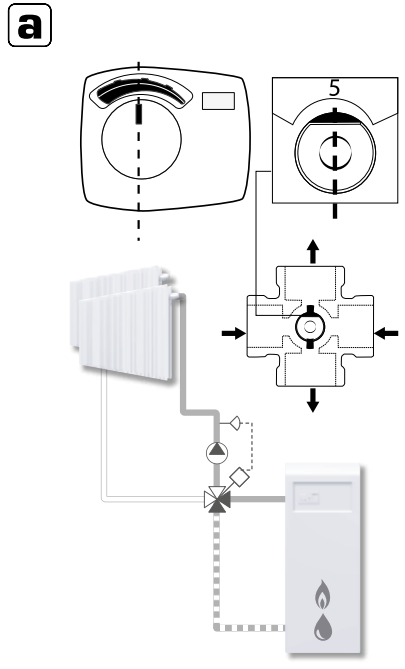
### SERIES BIV





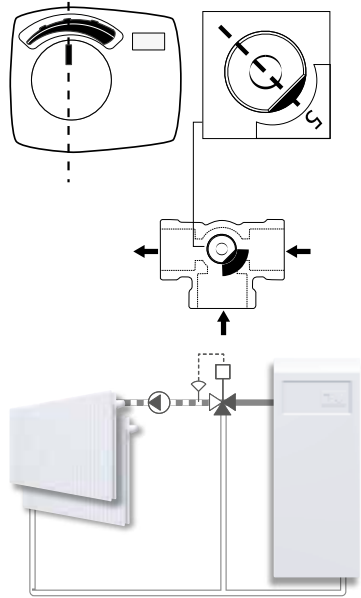
SERIES VRB140

**SERIES 4F, 4MG, 4G**

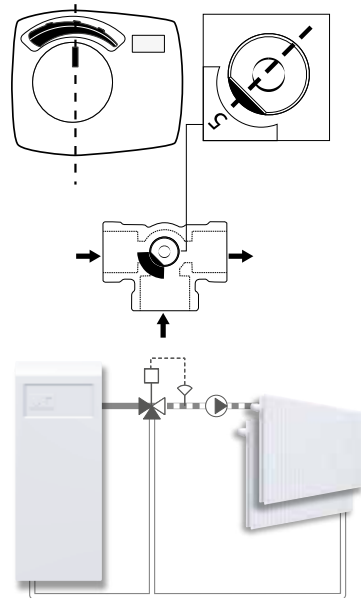


**SERIES 3F, 3MG, 3G**

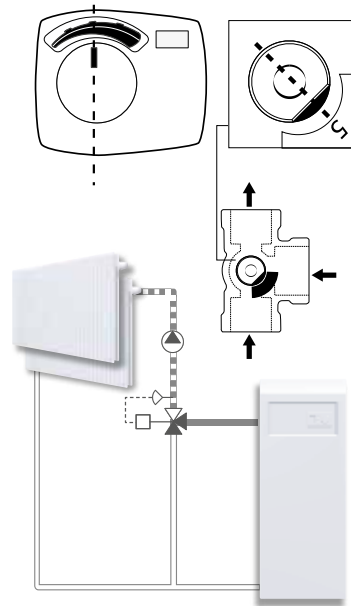
**a**



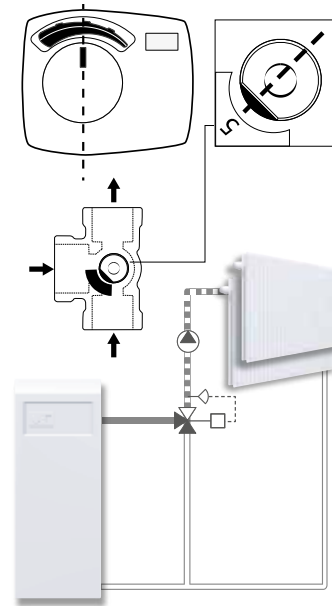
**b**



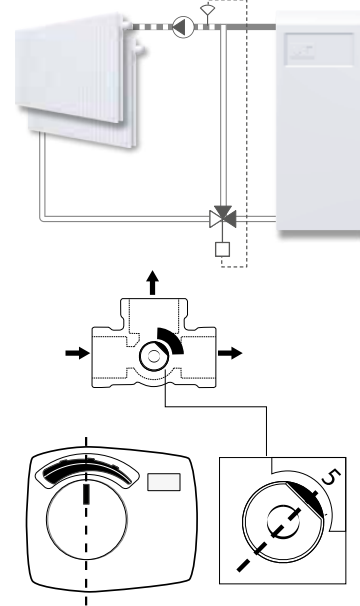
**c**



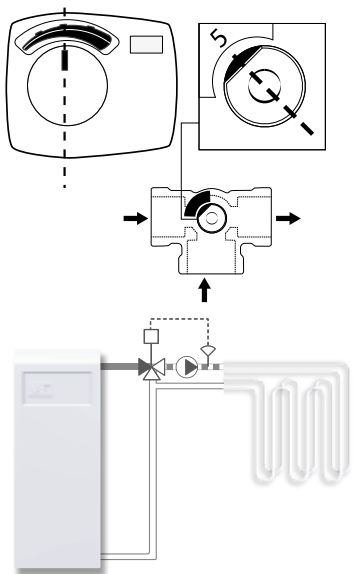
**d**



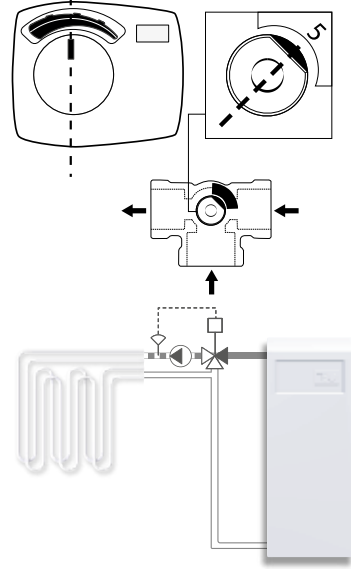
**e**



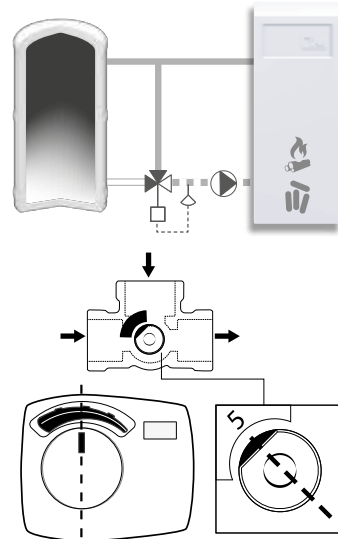
**k**



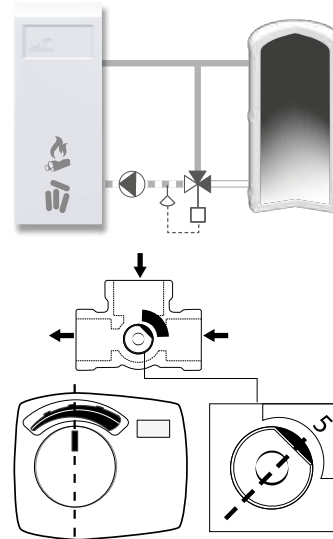
**l**



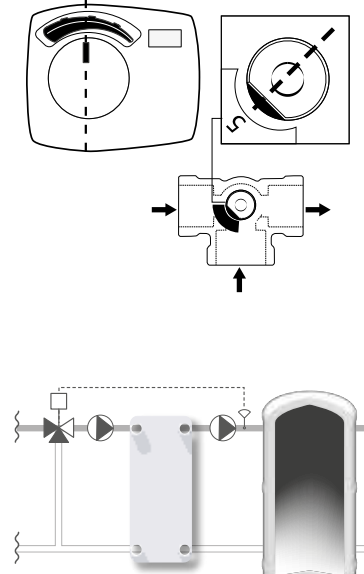
**m**

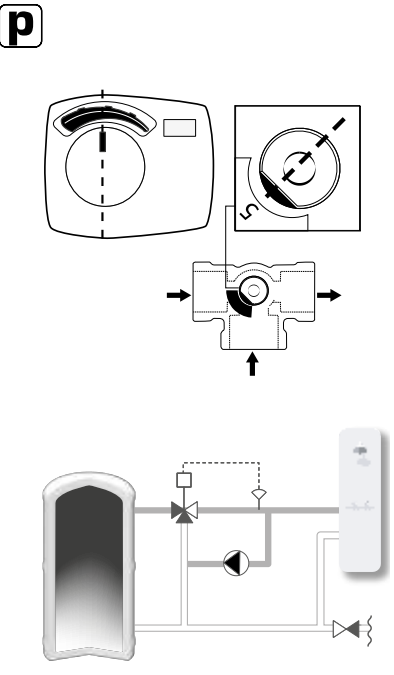
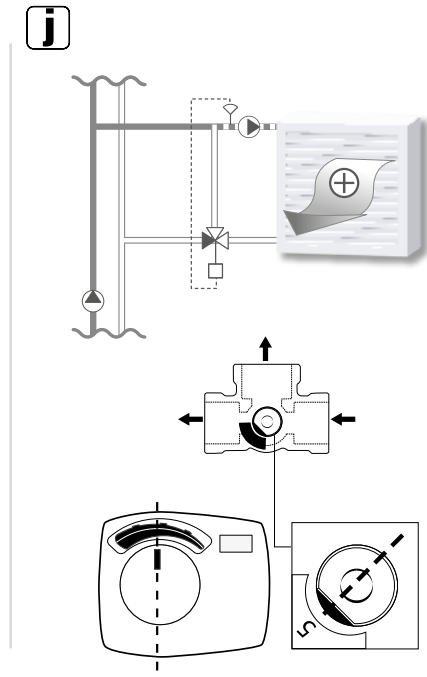
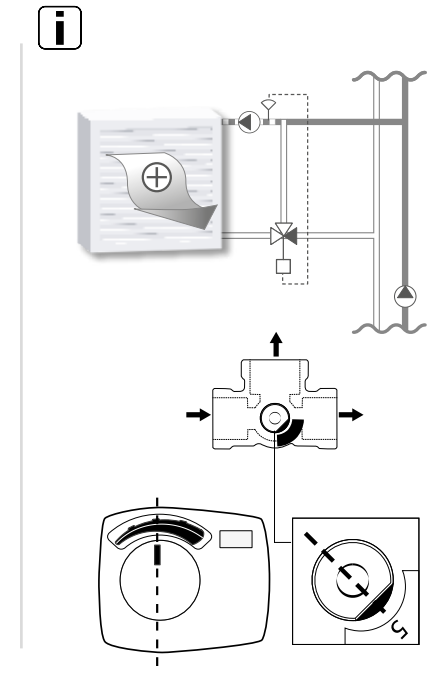
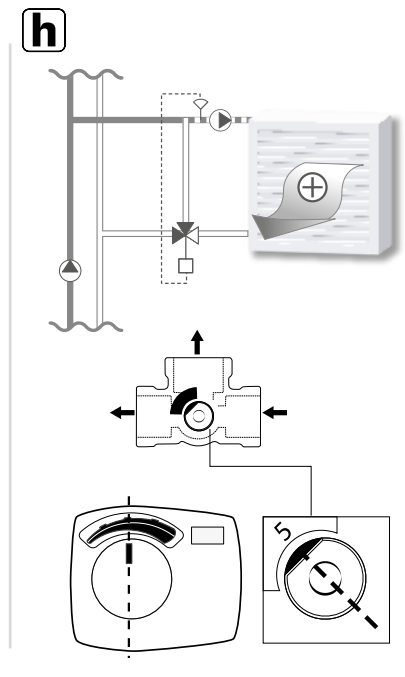
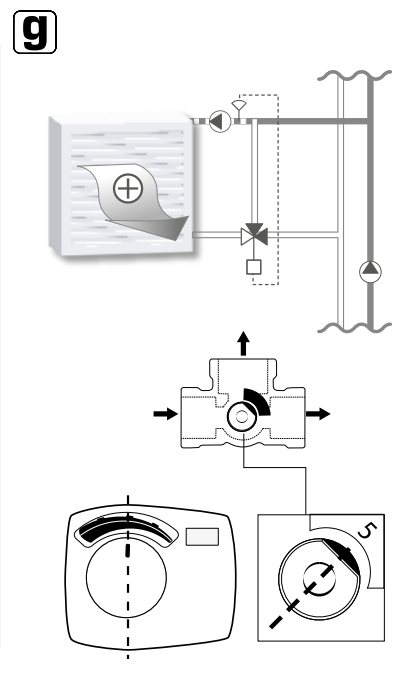
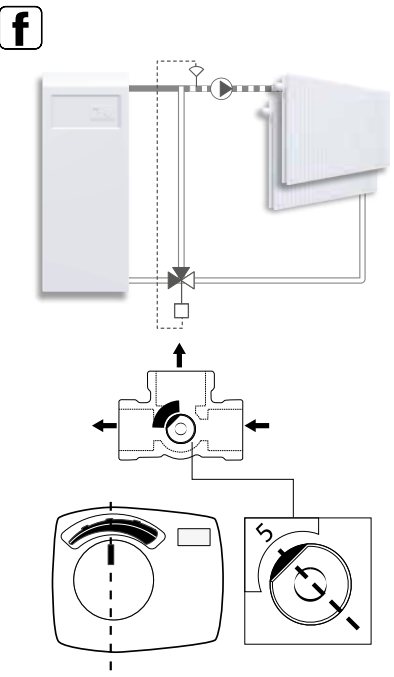


**n**



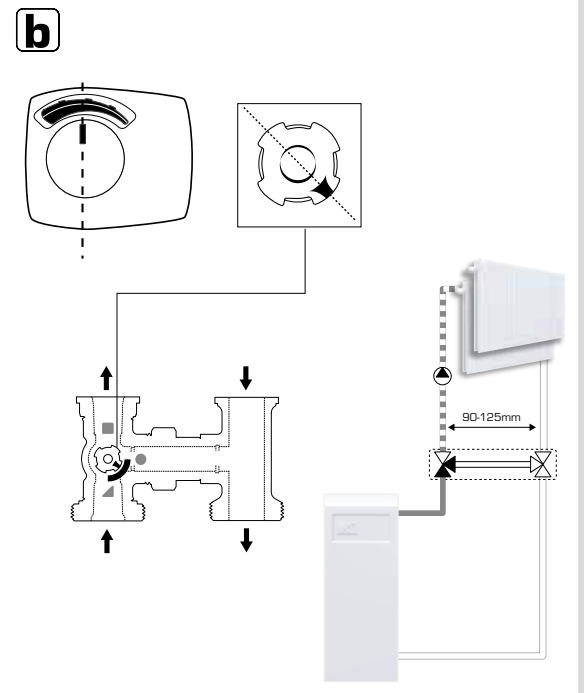
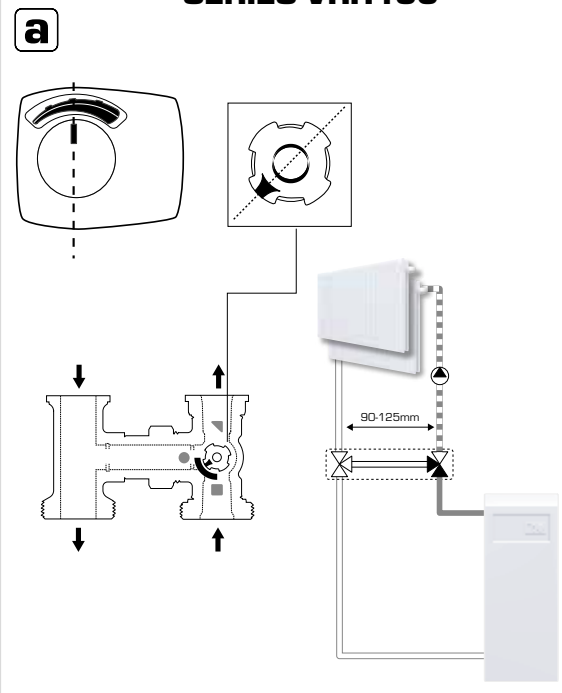
**o**





SERIES 3F, 3MG, 3G

**SERIES VRH130**



Piping Schematics are General Representations

