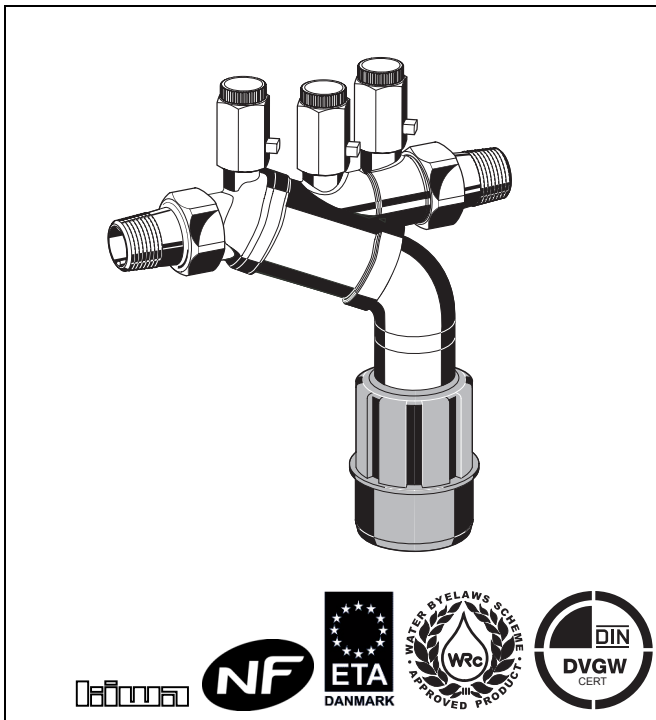


BA195 miniBA

Backflow Preventer

Product specification sheet



Application

Backflow preventers of this type are suitable for the protection of drinking water systems against back pressure, back flow and back syphonage.

They are used mainly for OEM-applications, but can also be used for commercial and industrial purposes within the scope of their specification.

Fluids up to and including liquid category 4 to EN 1717 are protected.

Special Features

- DVGW-certified
- NF approved
- Optimal protection of the drinking water supply system
- Integral inlet strainer
- Inlet check valve and discharge valve are combined in one cartridge
- Minimal maintenance required, because the valve cartridge is completely replaceable
- Optimized design prevents water stagnation
- Compact construction
- Low pressure loss and high flow rate
- Triple security - two check valves and a discharge valve separate the backflow preventer into three pressure zones
- Meets KTW regulations for potable water

Range of Application

Medium	Water
Maximum inlet pressure	10.0 bar
Minimum inlet pressure	1.5 bar

Technical Data

Installation position	Horizontal with discharge valve downwards
Max. operating temperature	65°C
Discharge pipe connection	DN 50
Nominal diameter	3/8"

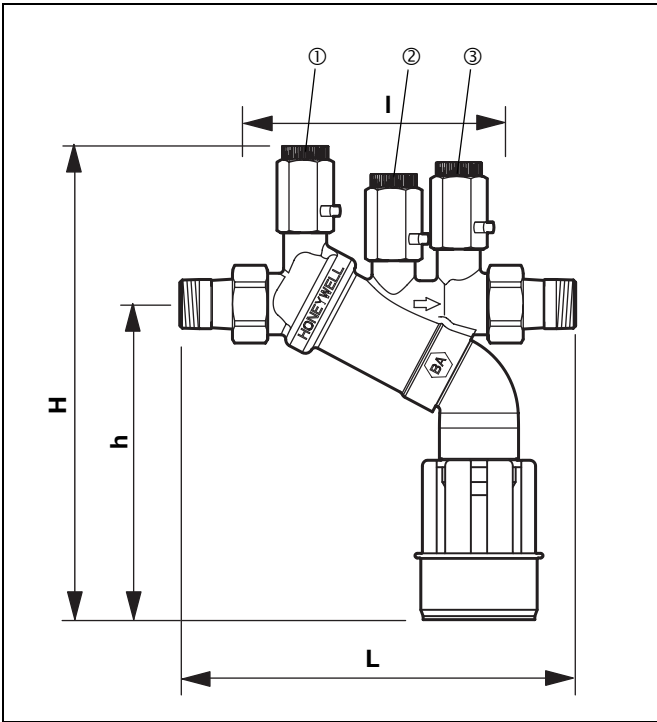
Construction

The backflow preventer consists of:

- Housing
- Integral strainer, mesh size approx. 0.5 mm
- Valve cartridge with integral check valve and discharge valve
- Outlet check valve
- Discharge connection
- Check ball valves

Materials

- Dezincification resistant brass housing
- High-quality synthetic material valve cartridge
- High-quality synthetic material or red bronze check valves
- Seals in NBR and EPDM
- High-quality synthetic material discharge connection



Method of Operation

BA type backflow preventers are divided into three pressure zones. The pressure in zone ① is higher than in zone ②, which in turn is higher than in zone ③. A discharge valve is connected to zone ② which opens at the latest when the differential pressure between zones ① and ② drops to 0.14 bar. The water from zone ② discharges to atmosphere, both check valves close and therefore separate zone ② from zone ① and ③. In this way the danger of back pressure or back syphonage into the supply network is prevented. The pipework connection is interrupted and the drinking water network is protected.

Options

BA195-3/8E = Standard version with connection thread 3/4" on housing

BA195-1/2A = Standard version with tailpieces connection size 1/2"

Nominal size diameter	R	3/8"
Connection size	R	1/2"
Weight	approx. kg	0.47
Dimensions	mm	
	L	173
	I	113
	H	204
	h	136
DIN/DVGW Registration No.		NW-6305BS0408
NF Approval No.		08 ACC LY 319



Accessories

TK295 Test kit

Electronic pressure measuring device with digital indicator, battery-operated.

With case and accessories, ideal for inspection and maintenance of backflow preventer type BA.

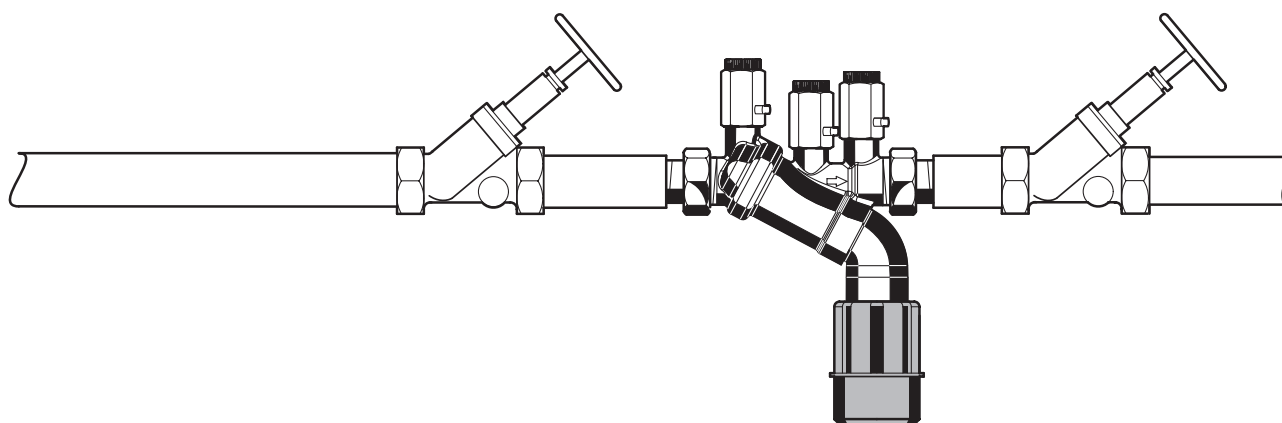
TKA295 Test kit

Analogue pressure measuring device with differential pressure display.

With case and accessories, ideal for inspection and maintenance of backflow preventer type BA.

WS195 Maintenance-set

Maintenance-set for backflow preventers for use with Test kit TK295 resp. TKA295

Installation Example**Installation Guidelines**

- Install shutoff valves before and after backflow preventer
- Install in horizontal pipework with the discharge valve downwards
- Ensure good access

Simplifies maintenance and inspection

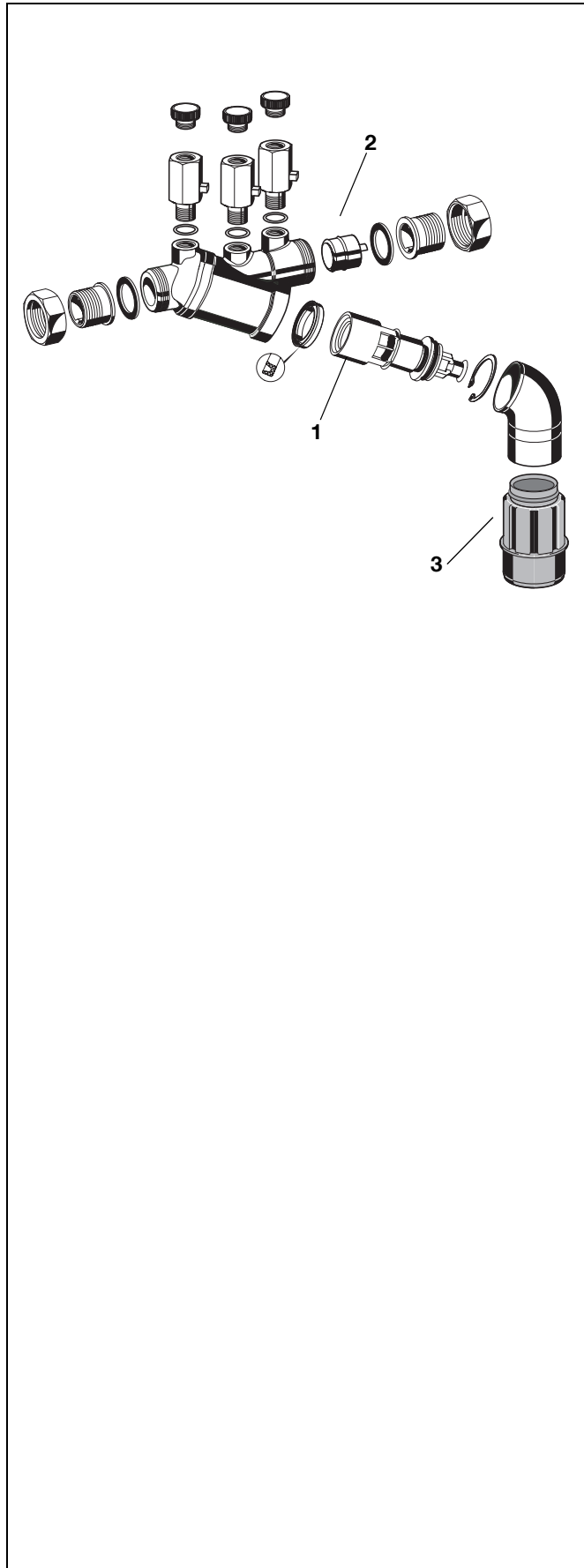
- If a fine filter is not installed in the drinking water system, the installation of a filter with a mesh width of 100µ m is recommended in front of the backflow preventer.
- In the case of fluctuating pre-pressure or an input pressure over 10 bar, we recommend the insertion of a pressure regulator in front of the backflow preventer.
- Do not install in places where flooding can occur
- The installation environment should be protected against frost and ventilated well
- Install discharge pipework which has adequate capacity
- Thoroughly flush pipework

Typical Applications

Backflow preventers of this type are suitable for the protection of drinking water systems against back pressure, back flow and back syphonage.

The following are some typical applications:

- Boilers and automatic pressure fermentation equipment
- Heating filling systems, water with inhibitors
- Laboratory workbenches
- Float valves
- Dosing units
- Desinfection devices
- Cleaning units (like e.g. high pressure cleaners)
- Vending machines



Spare Parts

Backflow preventer BA195, from 2006 onwards

No.	Description	Dimension	Part No.
1	Cartridge insert complete	3/8"	KE195
2	Check valve insert complete	3/8"	2110200
3	Discharge connection		AT295STN

Automation and Control Solutions

Honeywell GmbH
 Hardhofweg
 74821 MOSBACH
 GERMANY
 Phone: (49) 6261 810
 Fax: (49) 6261 81309
<http://ecc.emea.honeywell.com>

Manufactured for and on behalf of the
 Environmental and Combustion Controls Division
 of Honeywell Technologies Sàrl, Z.A. La Pièce 16,
 1180 Rolle, Switzerland by its Authorised Repre-
 sentative Honeywell GmbH
 EN0H-1233GE23 R1114
 Subject to change without notice
 © 2014 Honeywell GmbH



Strandvejen 42 • Saksild • 8300 Odder
 86 62 63 64 • www.automatikcentret.dk
info@automatikcentret.dk