

MVN Rotary Valve Actuators

3-Nm Rotary Valve Actuators

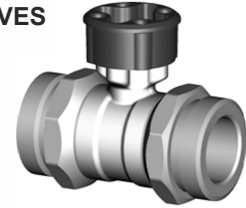
MOUNTING INSTRUCTIONS

1

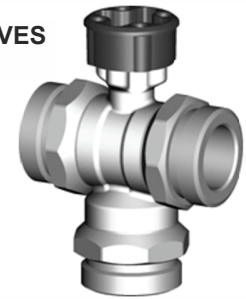
MVN613A, MVN643A, MVN663A, MVN713A



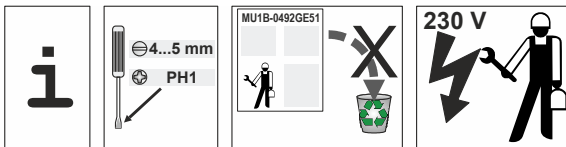
VBG 2-WAY VALVES
DN15-32



VBG 3-WAY VALVES
DN15-32



2

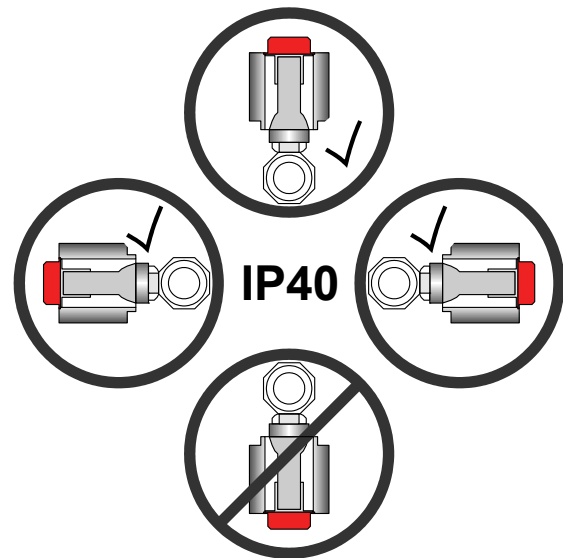


LVD 2006/95/EC
 EMC 89/336/EEC
 RoHS 2002/95/EEC

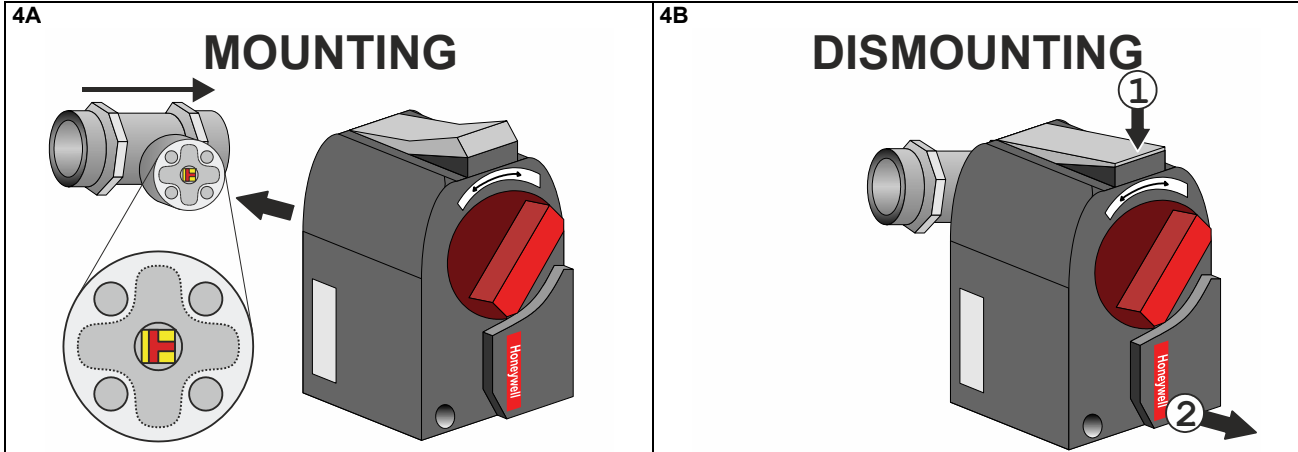


+55 °C
 -20 °C
**AMBIENT
 TEMPERATURE
 RANGE**

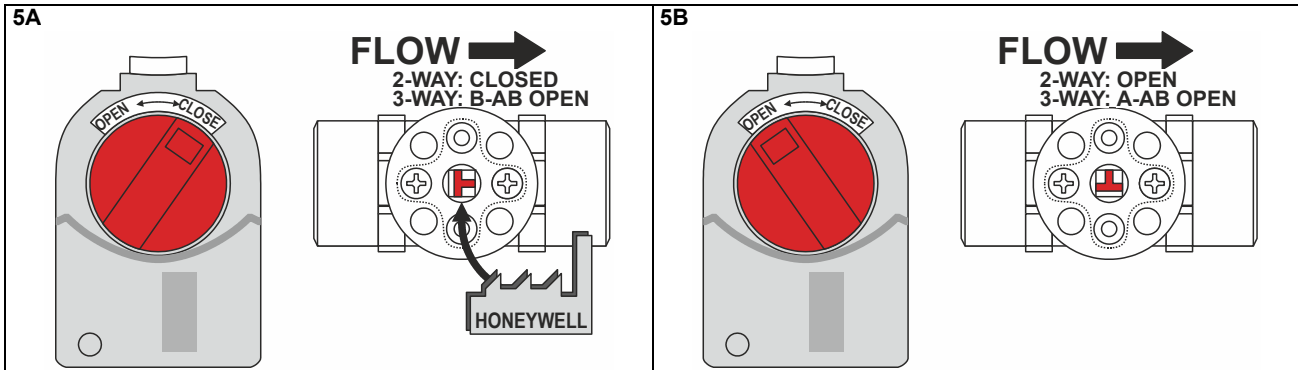
3



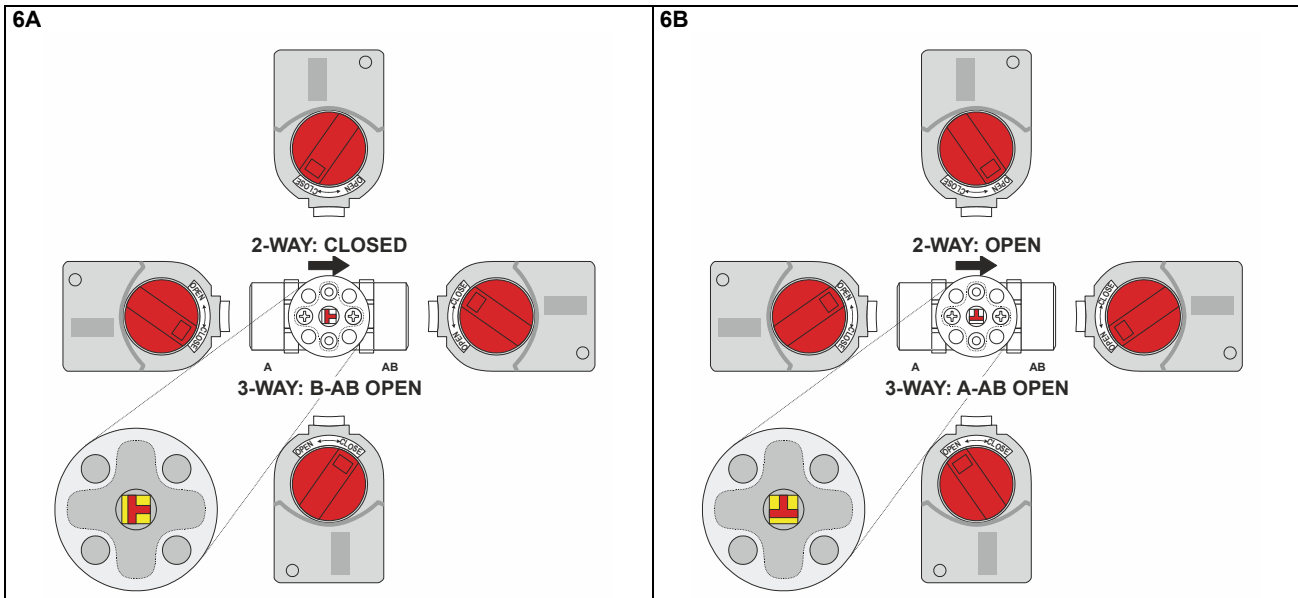
MOUNTING TO / DISMOUNTING FROM 2-WAY AND 3-WAY VALVES



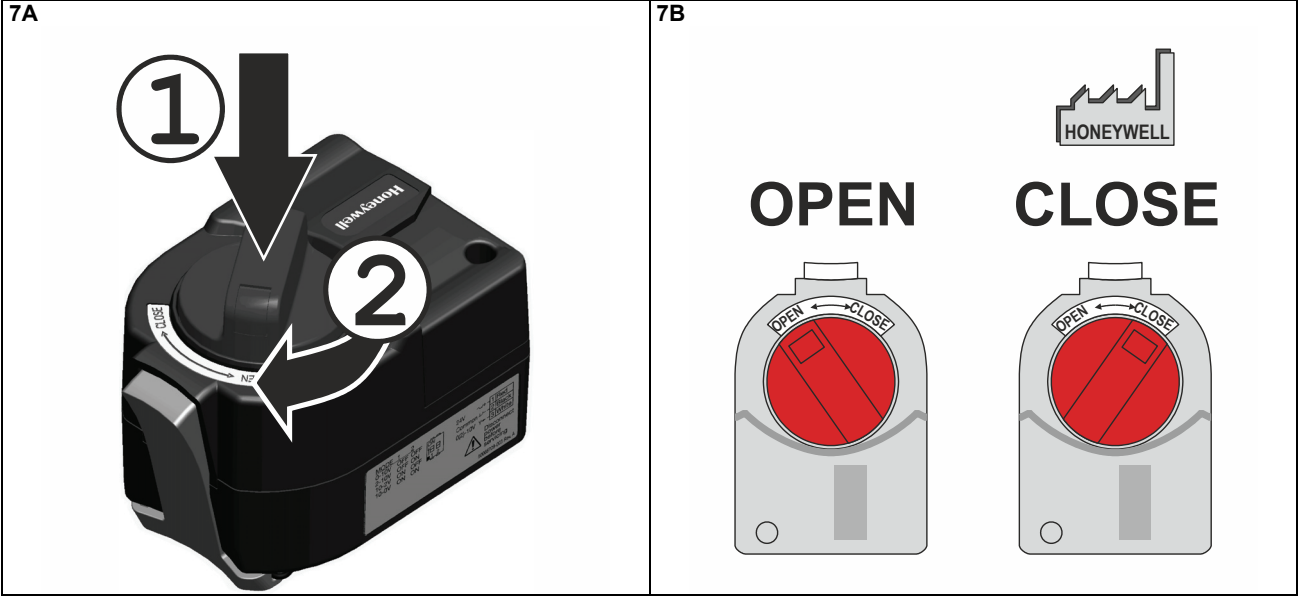
ORIENTATION OF BALL IN VALVE



MOUNTING POSITIONS OF ACTUATOR



MANUAL OPERATION



WIRING

8A: OPENING COVER

MVN663A

NEUTRAL	N	2	BLUE
230 VAC, CCW	L	3	BROWN
230 VAC, CW	L	4	BLACK

MVN613A / MVN643A

COMMON	⊥	2	BLACK
24 VAC, CCW	~	3	WHITE
24 VAC, CW	~	4	BROWN

MVN713A

24 V	~/+	1	RED
COMMON	⊥/-	2	BLACK
0(2) ... 10 V	Y↔	3	WHITE

8B: MVN613A / MVN643A

FLOATING ACTUATOR

MVN613A: 24 VAC
MVN643A: 24 VAC/DC

CONTROLLER

8C: MVN613A / MVN643A

FLOATING ACTUATOR

MVN613A: 24 VAC
MVN643A: 24 VAC/DC

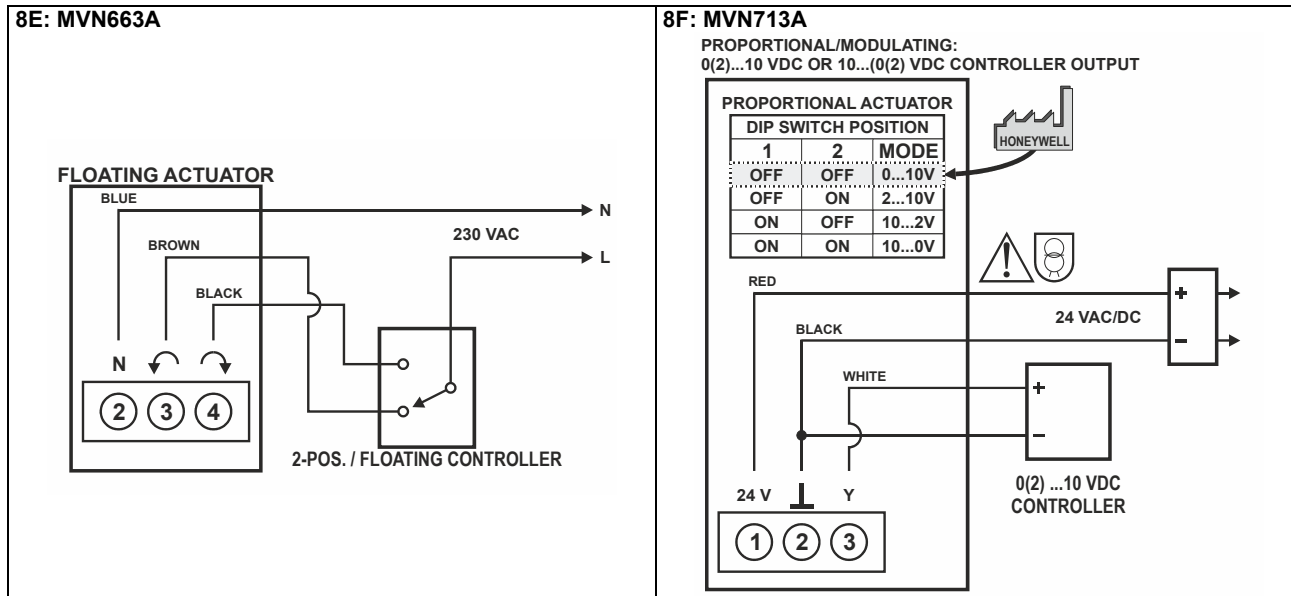
2-POS. / FLOATING CONTROLLER

8D: MVN663A

FLOATING ACTUATOR

230 VAC

CONTROLLER



POWER SUPPLY. PROVIDE MEANS FOR DISCONNECTING AND FOR OVERLOAD PROTECTION, AS REQUIRED.

APPROVALS, CERTIFICATIONS

Conforms to the following requirements per European Consortium (EC) standards: EN 60730-1/A2; 2008

Information as per EN 60730

Environmental conditions	For use in home (residential, commercial, and light-industrial) environments
Pollution degree	
MVN663A	2
MVN613A, MVN643A, MVN713A	3
Protection class	
MVN663A	Class II
MVN613A, MVN643A, MVN713A	Class III
Rated impulse voltage	2.5 kV
Mode of operation	Type 1

DISPOSAL

WEEE: Waste Electrical and Electronic Equipment Directive	
	<ul style="list-style-type: none"> At the end of the product life, dispose of the packaging and product in an appropriate recycling center. Do not dispose of the device with the usual domestic refuse. Do not burn the device.

Honeywell

Manufactured for and on behalf of the Environmental & Energy Solutions Division of Honeywell Technologies Sàrl, Rolle, Z.A. La Pièce 16, Switzerland by its Authorized Representative:

Automation and Control Solutions

Honeywell GmbH
Böblinger Strasse 17
71101 Schönaich, Germany
Phone +49 (0) 7031 637 01
Fax +49 (0) 7031 637 740
<http://ecc.emea.honeywell.com>

AutomatikCentret

Strandvejen 42 • Saksild • 8300 Odder
86 62 63 64 • www.automatikcentret.dk
info@automatikcentret.dk