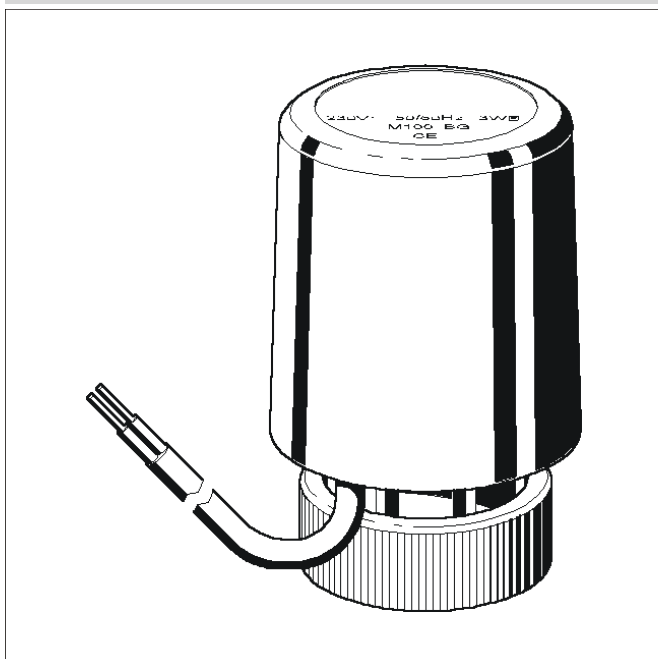




# M100

## Small Linear Thermoelectric Actuator

### PRODUCT DATA



### Design

- Available in normally open or normally closed versions
- M30 x 1,5 connection (other connections available on request)
- Fits on specified RESIDEO and Heimeier thermostatic radiator valves and valve inserts for manifolds and compact radiators
- Power supply 24 V or 230 V
- Auxiliary switch models to drive pump or fan

### Application

M100 small linear actuators are used with RESIDEO room-temperature controllers and/or for time-controlled two-point regulation of heating and cooling systems equipped with fan coil units, radiators, floor heating systems, etc.

### Features

- Small size allows limited space installation
- Reliable longtime operation
- No mounting tools required
- Noiseless operation
- Ready-to-wire connection cable
- Visual valve position indicator furnished with actuator
- Overload protection (4 kV) for 230 V versions

### Specifications

<b>Opening time</b>	M100-AG; -AO; -BG; -BO: approx. 3 min M100-AGX; -AOX; -BGX; -BOX: approx. 5.5 min
<b>Closing time</b>	see diagram on next page
<b>Maximum stroke</b>	4 mm
<b>Stem force</b>	90 N
<b>Ambient temperature</b>	max. 50 °C (122 °F)
<b>Power supply</b>	<b>A..</b> -Versions: 24 Vdc ± 20%; 50/60 Hz <b>B..</b> -Versions: 230 Vac ± 20%; 50/60 Hz
<b>Initial current</b>	M100-AG; -AO: approx. 0.6 A M100-BG; -BO: approx. 0.3 A M100-AGX; -AOX: approx. 0.2 A M100-BGX; -BOX: approx. 0.05 A
<b>Permanent current</b>	M100-AG; -AO: 0.09 A M100-BG; -BO: 0.013 A M100-AGX; -AOX: 70 mA M100-BGX; -BOX: 7 mA
<b>Power Consumption</b>	M100-AG; -AO; -BG; -BO: 3 W M100-AGX; -AOX; -BGX; -BOX: 2 W
<b>Protection standard</b>	IP43
<b>Cable length</b>	1 m (3.3 ft), other cable lengths possible on request
<b>Cable wires</b>	2 x 0.5 mm <sup>2</sup>

**NOTE:** Opening and closing times depend on ambient temperature. Current values at nominal voltage and resistance.

## Dimensions

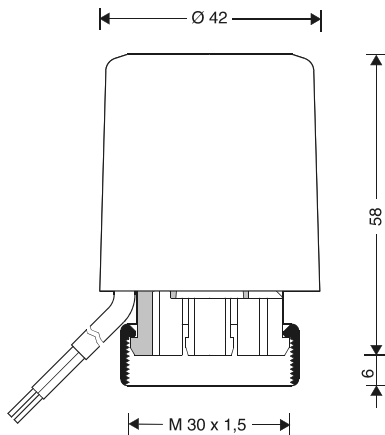


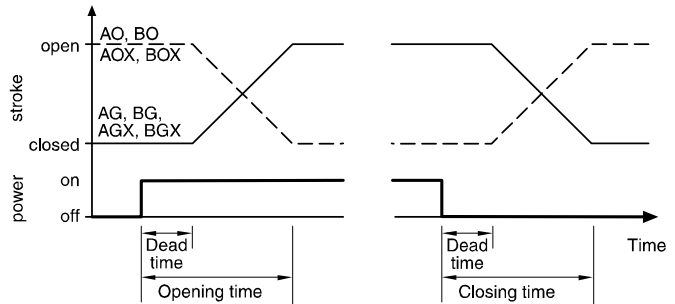
Fig. 1. Dimensions

**NOTE:** All dimensions in mm unless otherwise stated.

## Function

When the operating current is applied, a thermostat containing an expanding medium is heated, which after a pause period causes stroke movement.

## Opening and Closing Time

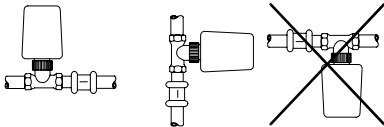


**NOTE:** Opening and closing times depend upon ambient temperature and model.

## Ordering Information

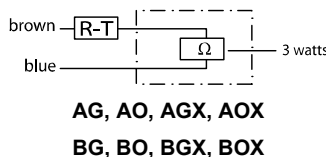
OS no.	Description	Valve action (Valve opens when heated)	Voltage	Cable	Powerconsumption
M100-AG	M100 small linear thermoelectric actuator	valve closed without current	24 V	Lenght: 1 m Wires: 2 x 0.5 mm <sup>2</sup>	3 W
M100-AO		valve open without current	24 V		
M100-BG		valve closed without current	230 V		
M100-BO		valve open without current	230 V		
M100-AGX	M100 small linear thermoelectric actuator – low initial power consumption	valve closed without current	24 V	Lenght: 1 m Wires: 2 x 0.5 mm <sup>2</sup>	2 W
M100-AOX		valve open without current	24 V		
M100-BGX		valve closed without current	230 V		
M100-BOX		valve open without current	230 V		

## Installation Positions



**NOTE:** Connection leads must not touch the piping (heat transfer).

## Wiring Diagram



## Accessories

- ZA100M-D** Adapter for Danfoss-Valve RAVL
- ZA100M-GD** Adapter for Danfoss-Valve RA

### For more information

[homecomfort.resideo.com/europe](http://homecomfort.resideo.com/europe)



Ademco 1 GmbH  
Hardhofweg 40  
74821 MOSBACH  
GERMANY  
Phone: +49 6261 810  
Fax: +49 6261 81309

Manufactured for and on behalf of the  
Pittway Sàrl, La Pièce 4, 1180 Rolle, Switzerland  
by its Authorised Representative Ademco 1 GmbH  
EN0H-1512GE23 R0720

Subject to change

© 2020 Pittway Sàrl. All rights reserved.  
This document contains proprietary information of  
Pittway Sàrl and its affiliated companies and is  
protected by copyright and other international laws.  
Reproduction or improper use without specific  
written authorisation of Pittway Sàrl is strictly  
forbidden. The Honeywell Home trademark is used  
under license from Honeywell International Inc.



Strandvejen 42 • Saksild • 8300 Odder  
86 62 63 64 • [www.automatikcentret.dk](http://www.automatikcentret.dk)  
[info@automatikcentret.dk](mailto:info@automatikcentret.dk)

