

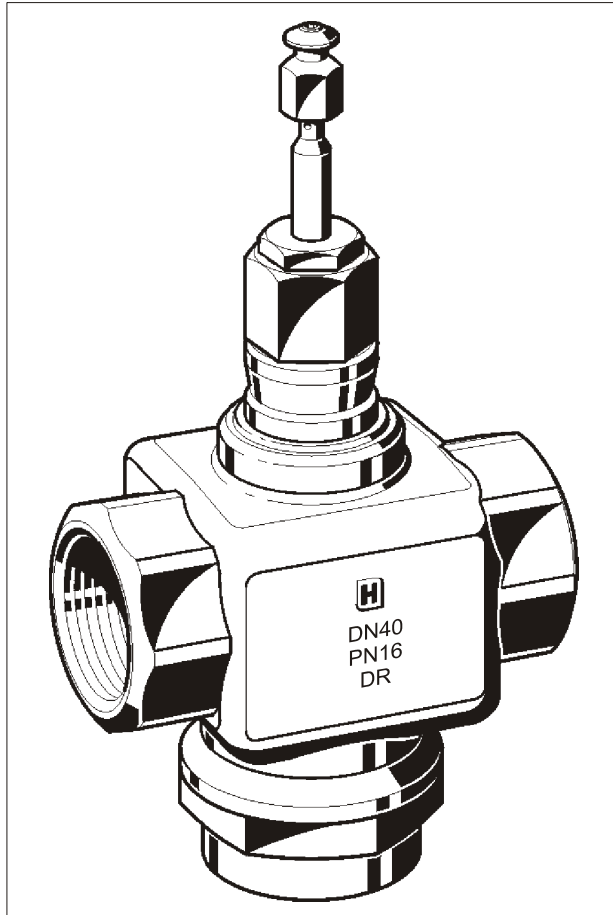


Strandvejen 42 • Saksild • 8300 Odder  
 86 62 63 64 • [www.automatikcentret.dk](http://www.automatikcentret.dk)  
[info@automatikcentret.dk](mailto:info@automatikcentret.dk)

## V5013R

### INTERNAL THREADED END-CONNECTION LINEAR VALVE PN16

#### PRODUCT DATA



#### FEATURES

- Brass body with internal threaded end connections
- Low seat leakage rate
- Self-adjusting packing
- Accurate positioning to ensure state-of-the-art temperature control
- Directly-coupled electric and pneumatic actuators for easy mounting

#### SPECIFICATIONS

|  |  |
|--|--|
| Action:  | Stem up to close port A-AB                               |
| Nominal pressure rating:   | PN16   |
| Flow characteristic:   | equal percentage: port A-AB<br>linear: port B-AB         |
| Rangeability:  | 50:1   |
| Leakage rate:  | ≤0.05% of $k_{vs}$                                       |
| Stroke:  | 20 mm  |
| Valve body:  |  |
| Pipe connections:  | Internal threading as per ISO228                         |
| Material:  | Brass  |
| Dimensions:  | See Fig. 1 on page 3                                     |
| Trim:  |  |
| Seat:  | DN15: stainless steel<br>DN20...50: body integrated      |
| Plug:  | Brass  |
| Stem:  | Stainless steel  |
| Packing:   | Spring-loaded carbon fiber reinforced PTFE V-rings       |
| Medium temperature and pressure:                                 |  |
| Water  | 2 to 120 °C max. 1600 kPa<br>120 to 170 °C max. 1490 kPa |
| Max. temperature differential in alternating hot/cold water use: | 60 K   |

#### APPLICATION

Single seated control or shut-off valve for:

- hot water and
  - chilled water
- in heating, ventilation, air conditioning systems, and open circuits.

Operated by

- electric linear actuators (e.g., ML6420/25, ML7420/25, ML6421, and ML7421) and
- pneumatic actuators (e.g., MP953).

## SIZES AND FLOW CAPACITIES

Table 1. Size and flow capacity (in m<sup>3</sup>/h)

| order number | valve size | kvs m <sup>3</sup> /h |
|--------------|------------|-----------------------|
| V5013R1032   | DN15       | 2.5                   |
| V5013R1040   | DN15       | 4                     |
| V5013R1057   | DN20       | 6.3                   |
| V5013R1065   | DN25       | 10                    |
| V5013R1073   | DN32       | 16                    |
| V5013R1081   | DN40       | 25                    |
| V5013R1099   | DN50       | 40                    |

## INSTALLATION

Water should meet VDI2035 requirements.  
Do not install valve with stem below the horizontal.  
Fluid flow must correspond with the arrow direction on the valve body.  
The installation of a strainer is strongly recommended.

## SPARE PARTS

Repair packing kit for red-brass models (old) – RG5  
DN15...32: Order number R43176754001  
DN40...50: Order number R43176754002  
Repair packing kit for yellow-brass models (new) – DR  
DN15...50: Order number R43176754002

## CLOSE-OFF PRESSURE RATINGS

### Electric Actuators

Table 2. Close-off pressure ratings (in kPa) of electric actuators

| actuator                           |        | valve size |      |      |      |      |      |
|------------------------------------|--------|------------|------|------|------|------|------|
| type                               | force  | DN15       | DN20 | DN25 | DN32 | DN40 | DN50 |
| ML6420 / ML6425<br>ML7420 / ML7425 | 600 N  | 1600       | 1600 | 1000 | 700  | 460  | 260  |
| ML6421 / ML7421                    | 1800 N | -          | -    | 1600 | 1600 | 1500 | 850  |

### Pneumatic Actuators MP953

Table 3. Close-off pressure ratings (in kPa) of pneumatic actuators MP953

| actuator                 |              |                  |                | valve size |      |      |      |      |      |
|--------------------------|--------------|------------------|----------------|------------|------|------|------|------|------|
| type                     | spring range | air pressure     | closed seat    | DN15       | DN20 | DN25 | DN32 | DN40 | DN50 |
| MP953C5001               | 14...48 kPa  | 0 kPa<br>115 kPa | upper<br>lower | 150        | --   | --   | --   | --   | --   |
| MP953C5027<br>MP953A5005 | 27...76 kPa  |                  |                | 1600       | --   | --   | --   | --   | --   |
|                          |              |                  |                | 800        | 310  | 180  | 90   | 30   | --   |
| MP953C5019               | 55...83 kPa  |                  |                | 1150       | 530  | 350  | 200  | 100  | --   |
|                          |              |                  |                | 1600       | 950  | 620  | 370  | 220  | --   |
| MP953C5068               | 14...48 kPa  |                  |                | 860        | 380  | 240  | 130  | 60   | --   |
|                          |              |                  | 1550           | 650        | 420  | 240  | 130  | 50   |      |
| MP953C5084<br>MP953A5039 | 27...76 kPa  |                  | 1600           | 1600       | 1600 | 1600 | 1130 | 630  |      |
|                          |              |                  | 1600           | 1550       | 1030 | 630  | 400  | 200  |      |
| MP953C5076               | 55...83 kPa  |                  | 1600           | 1600       | 1500 | 950  | 600  | 320  |      |
|                          |              |                  | 1600           | 1600       | 1600 | 1470 | 970  | 520  |      |
| MP953D5025               | 27...76 kPa  |                  | 1600           | 1600       | 1190 | 750  | 460  | 250  |      |
|                          |              | 1600             | 840            | 570        | 340  | 200  | 90   |      |      |
| MP953D5009<br>MP953B5003 | 55...83 kPa  | 1600             | 1480           | 990        | 600  | 370  | 190  |      |      |
|                          |              | 1600             | 1050           | 720        | 440  | 260  | 130  |      |      |
|                          |              | 1600             | 1490           | 1490       | 920  | 600  | 320  |      |      |
|                          |              | 1600             | 1490           | 1490       | 920  | 600  | 320  |      |      |

# DIMENSIONS

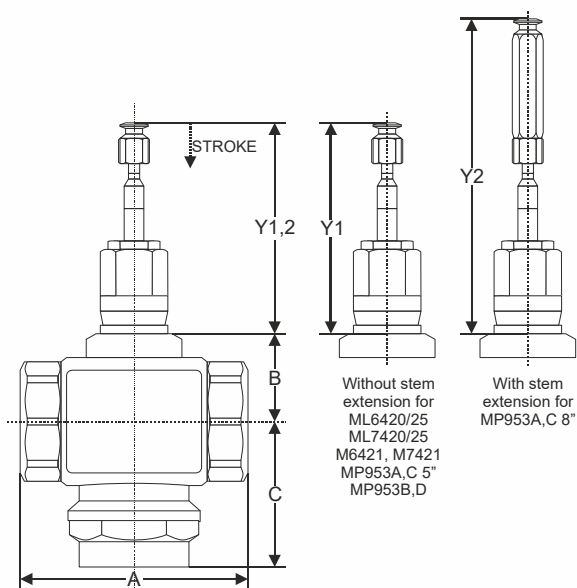


Fig. 1. Dimensions

Table 4. Dimensions (in mm)

| valve size | A   | B    | C    | Y <sub>1</sub> | Y <sub>2</sub> * |
|------------|-----|------|------|----------------|------------------|
|            |     |      |      | stem up        |                  |
| DN15       | 83  | 39.5 | 65   | 107            | 151              |
| DN20       | 83  | 39.5 | 65   |                |                  |
| DN25       | 103 | 39.5 | 66.5 |                |                  |
| DN32       | 106 | 39.5 | 72.5 |                |                  |
| DN40       | 120 | 46.5 | 77   |                |                  |
| DN50       | 134 | 46.5 | 83.5 |                |                  |

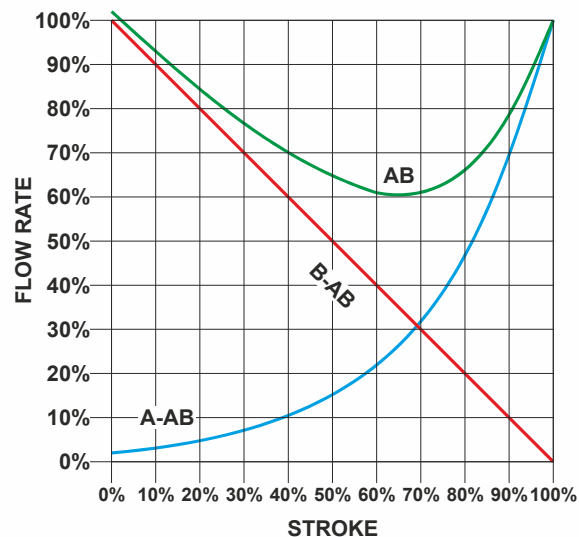


Fig. 2. Characteristic curve of V5013R

For actuator dimensions, please refer to:

- ML6420A3072..... EN0B-0411GE51
- ML6420A / ML6425A,B ..... EN0B-0351GE51
- ML7420A / ML7425A,B ..... EN0B-0261GE51
- ML7420A6025..... EN0B-0481GE51
- ML6421A,B ..... EN0B-0414GE51
- ML7421A,B ..... EN0B-0416GE51
- MP953A,B,C,D..... EN0B-0522GE51

**Honeywell**

---

Manufactured for and on behalf of the Connected Building Division of Honeywell Products and Solutions SARL, Rolle, Z.A. La Pièce 16, Switzerland by its Authorized Representative:

**Home and Building Technologies**

Honeywell GmbH  
Böblinger Strasse 17  
71101 Schönaich, Germany  
Phone +49 (0) 7031 637 01  
Fax +49 (0) 7031 637 740  
buildings.honeywell.com

EN0B-0065GE51 R0320

Subject to change without notice

 **AutomatikCentret**

Strandvejen 42 ♦ Saksild ♦ 8300 Odder  
86 62 63 64 ♦ [www.automatikcentret.dk](http://www.automatikcentret.dk)  
[info@automatikcentret.dk](mailto:info@automatikcentret.dk)