

CONTROLLERS

# CONTROLLER SERIES CRx200

ESBE Controllers Series CRx200 are actuators combined with controllers and consist of four different ranges. The CRx200 range offers constant temperature control (CRA200), room temperature control (CRB200), outside temperature control (CRC200) and combined temperature control (CRD200). The controllers Series CRx200 is dedicated to ESBE valves series VRx.

### INTRODUCTION CRx200

ESBE Controllers Series CRx200 consist of 4 different ranges which are built on the same platform and with smart software which makes it possible to upgrade the controller, just by adding components. Thanks to ESBE Smart Software the controllers series CRx200 is a flexible platform with minimum handling time.

### THE SMART SOFTWARE

The software of the controllers makes it possible to add components such as a room unit and/or outdoor sensor to the actuator, which recognize it and opens the correct interface and unlock additional options. This means that it is possible to start with CRA200 and later add additional components, e.g. a room unit, to control the controller remotely or turn it into a CRB200. This feature is a part of the smart software and is included in the whole CRx200 series, which makes it possible to upgrade any controller to a more advanced version, or a version which best fulfil the system and comfort requirements.

The ESBE Smart Software also minimize the controller setting time. By choosing the CRD200, no curve setting is needed, the controller continuously adjusts the curve according to the indoor climate. This minimizes the risk of using the wrong curve setting. The curve adjusts depending of changes in the outdoor or indoor conditions. The minimum and maximum temperature can still be set though, if the CRx works with for example underfloor heating, and calendar settings if it is desired that the temperature decreases while no one is at home or during the night.

In systems where there are no temperature restrictions, the CRD200, because of the smart software, delivers the highest comfort without any settings.

### THE SELF-ADAPTIVE SYSTEM BEHIND THE SMART SOFTWARE

The smart software makes it possible to upgrade the controller, use the room unit as a remote control or setting device, delivers the highest comfort and makes the CRD200 free of settings. This makes CRx200 a Plug&Play controller.

However, Plug&Play includes a lot more for ESBE. That is why we have created a self-adaptive system behind the software with the purpose of fixing all issues connected to reaction time, delays, and unbalanced performance. The ESBE Self-Adaptive System is taking care of PI factors (Proportional gain and Integral response) by learning the system behaviours and solving the issues, which in the past needed to be taken care of by an installer at the controller installation site. The self-adaptive system cares for smooth operation of the controller, eliminates issues connected



CRA200



CRB200



CRC200



CRD200

to delays or controller response times, delivering a high control standard and comfort, and makes the CRx200 Series controllers which are suited to work in any system setup or environment.

### OTHER FEATURES

The CRx200 controllers can be equipped with an auxiliary switch to control "on/off" for any device according to the actuator/valve position.

The CRx200 series comes with the T/T2 (main temperature / alternative temperature) setting via relay, but additional equipment is needed to release the relay, e.g. a clock. The feature can also be controlled via ESBE room unit dedicated for CRx controllers. With series CRA200, a room unit is required to control the T/T2 function. For series CRC200 a room unit is required to control T/T2 function and enable the alternative curve feature (offset). When the series CRD200 and CRB200 is delivered with a room unit, this feature is already enabled.

The ESBE Room Unit and auxiliary switch are available as accessory.

### QUICK GUIDE

Function	Version			
	CRA200	CRB200	CRC200	CRD200
Constant temperature control	●	●	●	●
Indoor temperature control	○	●	○	●
Outside temperature control	Δ	Δ	●	●
In-/ outside temperature control	□	Δ	○	●
Working with room unit	○	●	○	●
Auxiliary switch control	●	●	●	●
T/ T2 via relay	●	●	●	●
T/ T2 via room unit	○	●	○	●

- feature is available and can be set on the device
- a room unit is required to unlock the features - see accessories
- Δ an outside temperature sensor is required to unlock the features - see accessories
- a room unit and outside temperature sensor is required to unlock the features - see accessories

# CONTROLLER

## SERIES CRx200



### OPERATION CRA210

The series CRA200 is a constant temperature controller dedicated to applications where a constant flow temperature is required. The controller is integrated with an actuator and should be used with rotary mixing valves series VRx100, VRx200 and VRx300.

The settings are done via joystick and presented on a display. If a remote control is needed, the CRA200 can be upgraded with a room unit.

An alternative temperature can be activated by an external signal (T/T2 relay). This feature can be activated and controlled via the room unit. An additional relay, an auxiliary switch, can be installed in the CRA200 which makes it possible to control another device, for example a pump, from the actuator/valve position.

The series CRA200 can be upgraded to series CRB200, CRC200 or CRD200 by adding required accessory (see quick guide)

### OPERATION CRB210, CRB220

The CRB200 is a room temperature controller providing a high level of comfort. There are two versions of CRB200 available; wireless (CRB220) and wired (CRB210).

The CRB200 consists of two main parts, the actuator and room unit:

- Actuator unit which can be connected to the room display unit either by wireless radio connection (CRB220) for easy installation or by cable (CRB210).
- Room display unit which contains the indoor temperature sensor and in which all settings, such as day to day climate adjustments as well as the internal day and weekly program, are set.

The room unit has a timer, with daily and weekly programming, which gives the possibility to have day and night settings with alternative temperatures. The alternative temperature can also be activated by an external device, via relay. An additional relay, an auxiliary switch, can be installed in the CRB200, which makes it possible to control another device, for example a pump, from the actuator/valve position.

The CRB200 can be used as a CRA200 by changing the software settings. The CRB200 can also be changed to a CRC200 or upgraded to a CRD200 by adding required accessories (see quick guide).

### OPERATION CRC210

The CRC200 is an outdoor temperature controller providing a high level of comfort.

The CRC200 consists of two main parts, the actuator

and an outdoor sensor:

- actuator, to be mounted to the mixing valve controlling the heat supply.
- Outdoor sensor with 20 m cable. The sensor should be mounted on the north side of the building under the eaves in order to protect the sensor from direct sunlight and rain.

The regulation is based on the outdoor sensor readings and an adjustable characteristic heating curve. An offset / parallel adjustment of the characteristic heating curve can be activated by an external signal via relay, for example night settings. This can also be done by upgrading the CRC200 with a room unit, which in this case will be used as a remote control, information display and timer with daily and weekly program for alternative heating curve.

The smart software and self-adaptive system secures that, for example in a well insulated building with quick heating system, an imbalance between estimated and actual heating demand will not occur (the filter option in the software is still available for additional fine tuning).

An additional relay, an auxiliary switch, can be installed in the CRC200, which makes it possible to control another device, for example a pump, from the actuator/valve position.

The CRC200 can be changed to CRB200, or upgraded to CRD200, by adding required accessories (see quick guide).

### OPERATION CRD220

The CRD200 is a combined outdoor and room temperature controller providing the highest level of comfort thanks to the input from both sensors, ESBEs Smart Software and Self-Adaptive System. The ESBE Smart Software and Self-Adaptive System are responsible for advanced heating curve adaptation; in other words the heating curve will be built and shaped ideally for specific building, system requirements and weather conditions. Thanks to smart software feature only one setting needs to be set and it is the room temperature.

The Controller consist of three main parts; actuator, room wireless room unit and outdoor sensor.

- Actuator unit connected to the room display unit by wireless radio connection for easy installation.
- Room display unit which contains the indoor temperature sensor and in which all settings, such as day to day climate adjustments as well as the internal day and weekly program, are set.
- Outdoor sensor with 20 m cable.

The room unit has a timer, with daily and weekly

# CONTROLLER SERIES CRx200

schedule, which makes it possible to have day and night settings with alternative temperatures. The alternative temperature can also be activated by an external device (via relay). An additional relay, an auxiliary switch, can be installed in the CRD200, which makes it possible to control another device, for example a pump, from the actuator/valve position.

## INSTALLATION

Power supply by 230 V AC adapter complete with transformer, 1,5 m cable and wall socket plug.

Flow temperature sensor with 1,5 m cable included (longer cable is available as accessory). The flow temperature sensor must be carefully insulated from the ambient temperature.

Room display unit (CRB200 and CRD200) should be placed in a central open area in the house, out of direct sunlight to provide the best comfort.

Outdoor sensor with 20 m cable (CRC200 and CRD200). The sensor should be mounted on the north side of the building under the eaves in order to protect the sensor from direct sunlight and rain.

Thanks to the special interface between the controllers series CRx200 and the ESBE valve series VRx, the unit as a whole has a unique stability and precision when regulating.

## SUITABLE MIXING VALVES

- Series VRG100
  - Series VRG200
  - Series VRG300
  - Series VRH100
  - Series VRB100
  - Series MG\*
  - Series G
  - Series F ≤ DN50
  - Series BIV
  - Series T and TM
  - Series H and HG
- \* Not 5MG

## ADAPTOR KITS

Required adaptor kits for easily fitting onto an ESBE rotary mixing valve series VRx is supplied with each controller.

Adaptor kits can also be ordered separately.

Art. No.

16000500 \_\_\_\_\_ ESBE valve series  
VRG, VRH, VRB, G, MG, F, BIV, T, TM, H, HG

Adaptor kits for other mixing valves are available as follows:

Art. No.

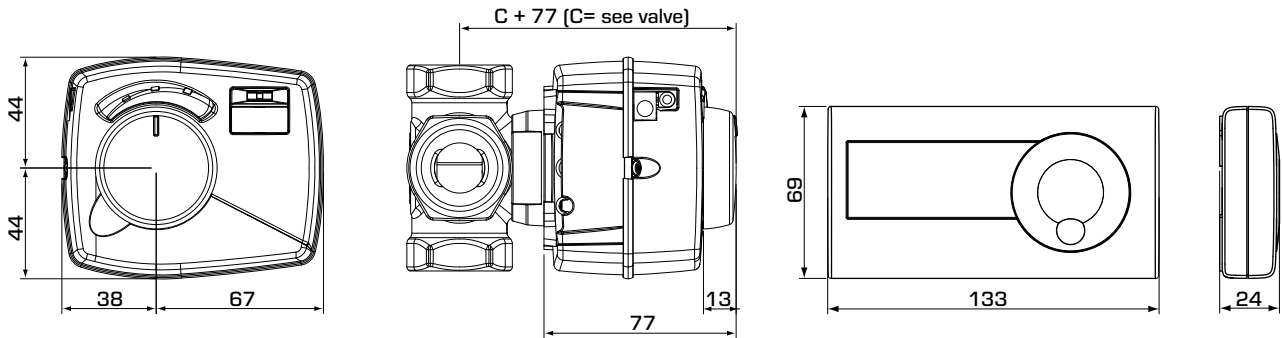
16000600 \_\_\_\_\_ Meibes  
16000700 \_\_\_\_\_ Watts  
16000800 \_\_\_\_\_ Honeywell Corona  
16000900 \_\_\_\_\_ Lovato  
16001000 \_\_\_\_\_ PAW  
16001100 \_\_\_\_\_ Wita Minimix, Maximix

## OPTIONAL EQUIPMENT

Art. No.

16200700 \_\_\_\_\_ ARA801 Auxiliary switch kit  
17053100 \_\_\_\_\_ CRA911 Flow temperature sensor, 5m cable  
17055300 \_\_\_\_\_ CRB912 Room unit for cable communication,  
without communication cable  
17055500 \_\_\_\_\_ CRB913 Room unit, wireless  
17055600 \_\_\_\_\_ CRA913 Pump control module, On/Off  
17055700 \_\_\_\_\_ CRB914 Communication cable, 20m  
17056000 \_\_\_\_\_ CRC911 Outdoor sensor,  
without communication cable  
17056200 \_\_\_\_\_ CRA915 UK Plug  
17056400 \_\_\_\_\_ CRB916 Communication radio module, wireless

# CONTROLLER SERIES CRx200



Room display units

## SERIES CRA210

Art. No.	Reference	Voltage [V AC]	Temperature range	Torque [Nm]	Weight [kg]	Note	Replaces
12721100	CRA211	230	5-95°C	6	0,8	Transformer with UK plug	12720100
12721500	CRA215	230					12720500

## SERIES CRB210, CRB220

Art. No.	Reference	Voltage [V AC]	Torque [Nm]	Room display unit	Weight [kg]	Note	Replaces
12663100	CRB211	230	6	Cable	1,3		12660100
12665200	CRB221			Wireless			12662200

## SERIES CRC210

Art. No.	Reference	Voltage [V AC]	Torque [Nm]	Weight [kg]	Note	Replaces
12821100	CRC211	230	6	1,1		12820100

## SERIES CRD220

Art. No.	Reference	Voltage [V AC]	Torque [Nm]	Room display unit	Weight [kg]	Note	Replaces
12684200	CRD221	230	6	Wireless	1,3		12682200

### TECHNICAL DATA

Ambient temperature: \_\_\_\_\_ max. +50°C  
 \_\_\_\_\_ min. +5°C  
 Sensor type: \_\_\_\_\_ NTC  
 Temperature range,  
 Flow temperature sensor: \_\_\_\_\_ +5 to +95°C  
 Outdoor sensor: \_\_\_\_\_ -50 to +70°C  
 Room unit (indoor sensor): \_\_\_\_\_ +5 to +30°C  
 Enclosure rating,  
 Actuator unit: \_\_\_\_\_ IP41  
 Room unit: \_\_\_\_\_ IP20  
 Protection class: \_\_\_\_\_ II  
 Power supply,  
 Actuator unit: \_\_\_\_\_ 230 ± 10% V AC, 50 Hz  
 Room unit (wireless): \_\_\_\_\_ 2x1,5V LR6/AA  
 Power consumption: \_\_\_\_\_ 10 VA  
 Battery endurance (wireless room unit): \_\_\_\_\_ 1 year  
 Torque (actuator): \_\_\_\_\_ 6 Nm  
 Running time at max. speed (actuator): \_\_\_\_\_ 30s

ErP Temperature control class,  
 CRA210: \_\_\_\_\_ N/A  
 CRB210, CRB220: \_\_\_\_\_ IV  
 CRC210: \_\_\_\_\_ III  
 CRD220: \_\_\_\_\_ VII  
 Energy efficiency contribution,  
 CRA210: \_\_\_\_\_ N/A  
 CRB210, CRB220: \_\_\_\_\_ 2%  
 CRC210: \_\_\_\_\_ 1,5%  
 CRD220: \_\_\_\_\_ 3,5%  
 Radio frequency (wireless room unit): \_\_\_\_\_ 868 MHz  
 ITU region 1 approved acc. to EN 300220-2

CE LVD 2014/35/EU  
 EMC 2014/30/EU  
 RoHS3 2015/863/EU  
 RED 2014/53/EU

UK  
CA

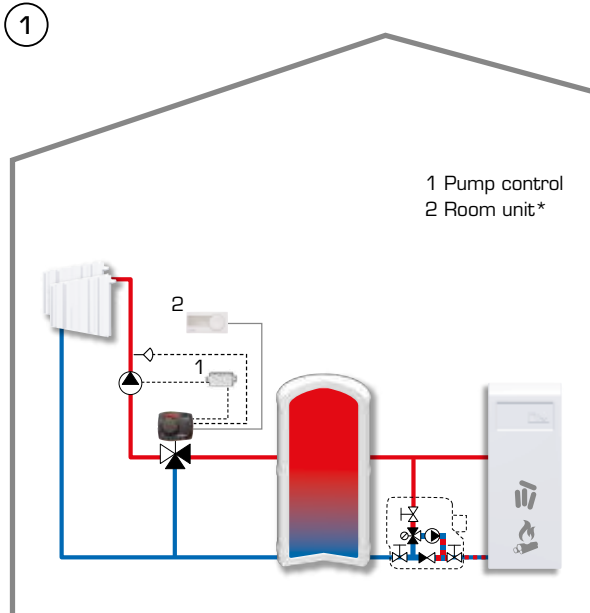


### WIRING

Please see the Installation Instruction

# CONTROLLER SERIES CRx200

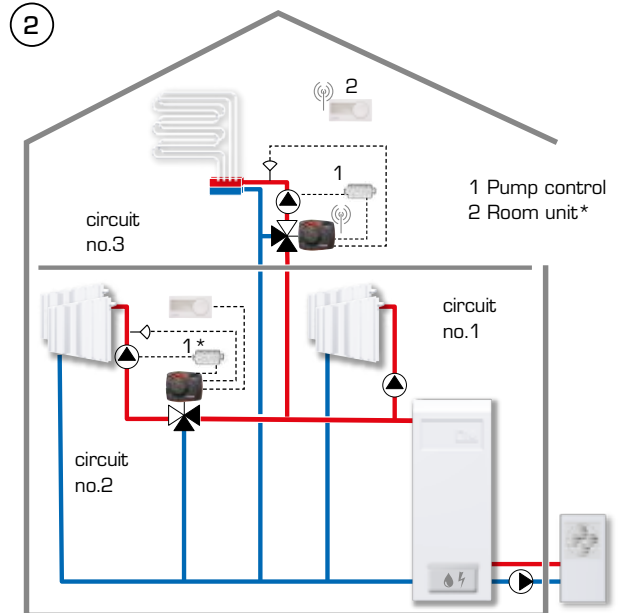
## APPLICATION EXAMPLES



**CRA210 with additional accessory; CRB912 Room unit as a remote control and CRB916 Pump control via valve position**

This application shows how to control a constant flow temperature supplied to the heating circuit. The CRA210 controls and secures the set flow temperature.

The setting of the flow temperature can be done via CRB912 room unit (remote control function). The heating circuit pump will be shut off via CRB916 pump control when the valve is closed - no heat demanded.



**CRB210 and CRB220 with additional accessory, CRB916 Pump control via valve position**

This application shows how to control the indoor temperature on different floors.

Heating circuit no.1 has no mixing valve and the temperature sent out to the receivers will be the same as from the heat source.

Heating circuit no.2 is equipped with a VRG and CRB210 with cable connection. The CRB210 controls the indoor temperature of this zone by mixing the flow temperature with the return temperature.

Heating circuit no.3 is equipped with a VRG and CRB220 with wireless connection. The CRB210 controls the indoor temperature of this zone by mixing the flow temperature with the return temperature.

In circuit no. 2 and 3 the heating circuit pump will be shut off via CRB916 Pump control if the valve is closed - no heat demanded.

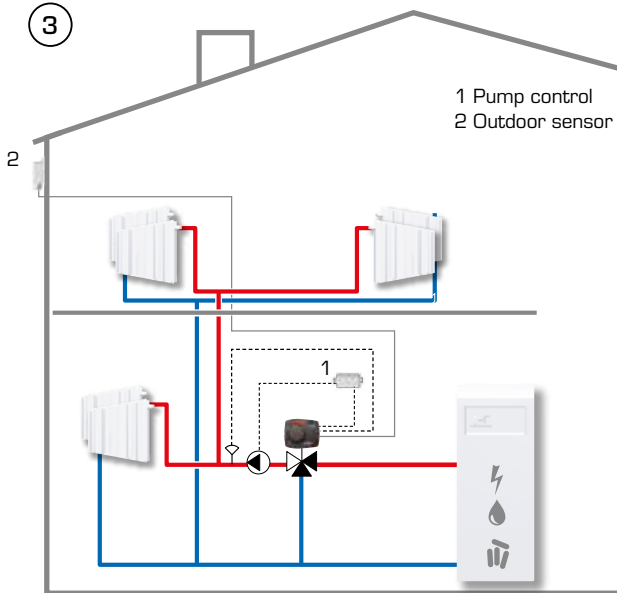
\* Cable or wireless connection depending on requirements.

*The shown applications are only examples of product use!  
Before using the product in any application, the regional and national regulations need to be checked.*

>>>

# CONTROLLER SERIES CRx200

## APPLICATION EXAMPLES

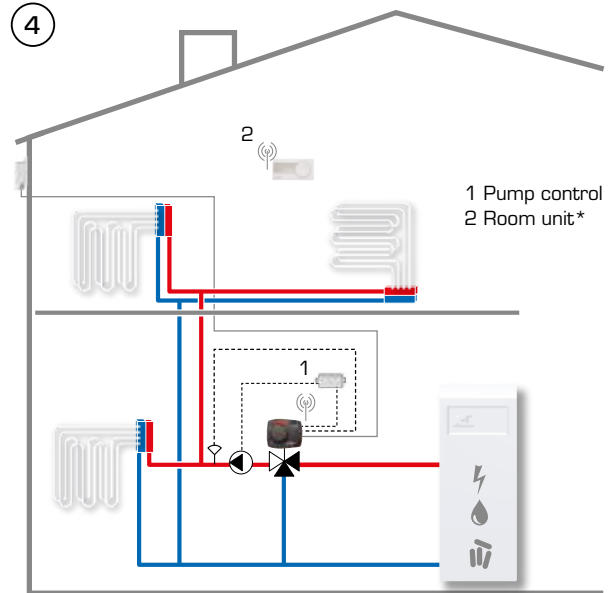


### **CRC210 with additional accessory, CRB916 Pump control via valve position**

This application shows how to control the indoor temperature based on the outdoor temperature.

This control setup is used for buildings where a room unit cannot be used for indoor temperature reference, e.g. buildings with complicated structure, no open spaces or many zones. The CRC210 controls the indoor temperature based on the outdoor temperature via the heating curve.

All heat emitters are supplied with the same flow temperature calculated by CRC210. The heating circuit pump will be shut off via CRB916 Pump control if the valve is closed - no heat demanded.



### **CRD220 with additional accessory, CRB916 Pump control via valve position**

This application shows how to control the indoor temperature based on the outdoor and indoor temperature.

This control setup is used for buildings where a room unit can be used for indoor temperature reference, e.g. buildings with open space and where the most accurate temperature control is needed. The CRD220 controls the indoor temperature based on the outdoor and indoor temperature. The heating curve is constantly adjusted by ESBE Smart Software for the best indoor comfort.

All heat emitters are supplied with the same flow temperature calculated by CRD220. The heating circuit pump will be shut off via CRB916 Pump control when the valve is closed - no heat demanded.

\* Cable or wireless connection depending on requirements.

*The shown applications are only examples of product use!  
Before using the product in any application, the regional and national regulations need to be checked.*