



## Braukmann D06FI



Strandvejen 42 ♦ Saksild ♦ 8300 Odder  
86 62 63 64 ♦ [www.automatikcentret.dk](http://www.automatikcentret.dk)  
[info@automatikcentret.dk](mailto:info@automatikcentret.dk)

Pressure reducing valve with balanced seat  
Stainless steel pattern

### APPLICATION

According to EN 806-2 pressure reducing valves of this type protect household water installations against excessive pressure from the supply. They can also be used for industrial or commercial applications within the range of their specification.

By installing a pressure reducing valve, pressurisation damage is avoided and water consumption is reduced.

The set pressure is also maintained constant, even when there is wide inlet pressure fluctuation.

Reduction of the operating pressure and maintaining it at a constant level minimizes flow noise in the installation.

### APPROVALS

- DVGW
- WRAS (up to 23 °C)

### SPECIAL FEATURES

- Inlet pressure balancing – no influence on outlet pressure by fluctuating inlet pressure
- Up to size 1 1/4" approved by LGA for low noise, Group 1 without limitations
- The valve insert is of high-quality synthetic material and can be fully exchanged
- The outlet pressure is set by turning the adjustment knob
- The set pressure is directly indicated on the set point scale
- The adjustment spring is not in contact with the drinking water
- Integral fine filter
- Also available without fittings
- Conforms to BSEN 1567
- All materials are UBA conform
- ACS certified




### TECHNICAL DATA

<b>Media</b>	
Medium:	Drinking water
<b>Connections/Sizes</b>	
Connection sizes:	1/2" - 2"
Nominal sizes:	DN15 - DN50
<b>Pressure values</b>	
Max. inlet pressure with clear filter bowl:	16 bar
Max. inlet pressure with stainless steel filter bowl:	25 bar
Outlet pressure:	1.5 - 6 bar
Preset outlet pressure:	3 bar
Min. pressure drop:	1 bar
<b>Operating temperatures</b>	
Max. operating temperature medium (10 bar/stainless steel filter bowl):	70 °C
Max. operating temperature medium accord. to EN 1567:	30 °C

Note: Use the SM06T brass filter bowl, if the valve can be exposed to UV radiation or solvent vapors.

## CONSTRUCTION

Overview	Components	Materials	
	<b>1</b>	Spring bonnet with adjustment knob and setting scale	High-quality synthetic material
	<b>2</b>	Housing with pressure gauge connections on both sides	Stainless steel
	<b>3</b>	Threaded male connections (options A & B)	Stainless steel
	<b>4</b>	Pressure gauge connection	-
	<b>5</b>	Filter bowl	Clear synthetic or stainless steel
<b>Not depicted components:</b>			
	Adjustment spring	Spring steel	
	Valve insert complete with diaphragm and valve seat	High-quality synthetic material, EPDM diaphragm	
	Fine filter with 0.16 mm mesh	Stainless steel	
	Pressure gauge (see accessories)	High-quality synthetic material	
	Seals	EPDM	

## METHOD OF OPERATION

Spring loaded pressure reducing valves operate by means of a force equalising system. The force of a diaphragm operates against the force of an adjustment spring. If the outlet pressure and therefore diaphragm force fall because water is drawn, the then greater force of the spring causes the valve to open. The outlet pressure then increases until the forces between the diaphragm and the spring are equal again.

The inlet pressure has no influence in either opening or closing of the valve. Because of this, inlet pressure fluctuation does not influence the outlet pressure, thus providing inlet pressure balancing.

## TRANSPORTATION AND STORAGE

Keep parts in their original packaging and unpack them shortly before use.

The following parameters apply during transportation and storage:

Parameter	Value
Environment:	clean, dry and dust free
Min. ambient temperature:	5 °C
Max. ambient temperature:	55 °C
Min. ambient relative humidity:	25 % *
Max. ambient relative humidity:	85 % *

\*non condensing

## INSTALLATION GUIDELINES

### Setup requirements

- Horizontal and vertical installation position possible
- Install shut-off valves
- The device downstream should be protected by means of a safety valve (installed downstream of the pressure reducing valve)
- The installation location should be protected against frost and be easily accessible
  - Pressure gauge can be read off easily
  - Simplified maintenance and cleaning
- Provide a straight section of pipework of at least five times the nominal valve size after the pressure reducing valve (in accordance with EN 806-2)
- Requires regular maintenance in accordance with EN 806-5

**Installation Example**

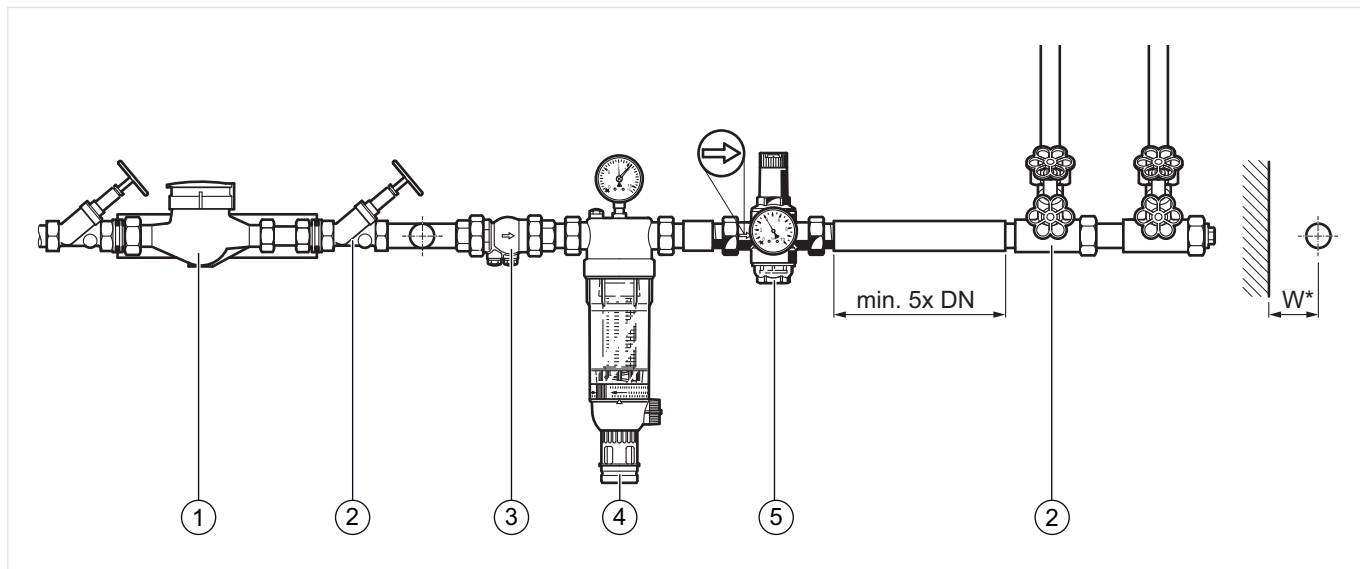


Fig. 1 Standard installation example for the pressure reducing valve

- 1 Water meter
- 2 Shut-off valve
- 3 Check valve
- 4 Filtering unit
- 5 Pressure reducing valve

Connection sizes:	1/2"	3/4"	1"	1 1/4"	1 1/2"	2"
Distance in mm (W*):	55	55	60	60	70	70

\* Required installation distances between the centerline of the pipework and the surrounding in dependency of the connection size.

**TECHNICAL CHARACTERISTICS**

**kvs-Values**

Connection sizes:	1/2"	3/4"	1"	1 1/4"	1 1/2"	2"
k <sub>VS</sub> -value (m <sup>3</sup> /h):	2.4	3.1	5.8	5.9	12.6	12.0
IfBt designation:	P-IX 1582/I	P-IX 1582/I	P-IX 1582/I	P-IX 1582/I	- *	- *
DIN/DVGW Registration No.:	DW-6330AT2314					

\* Compulsory testing in sizes R 1 1/2" to R 1 1/4"

**Pressure drop characteristics**

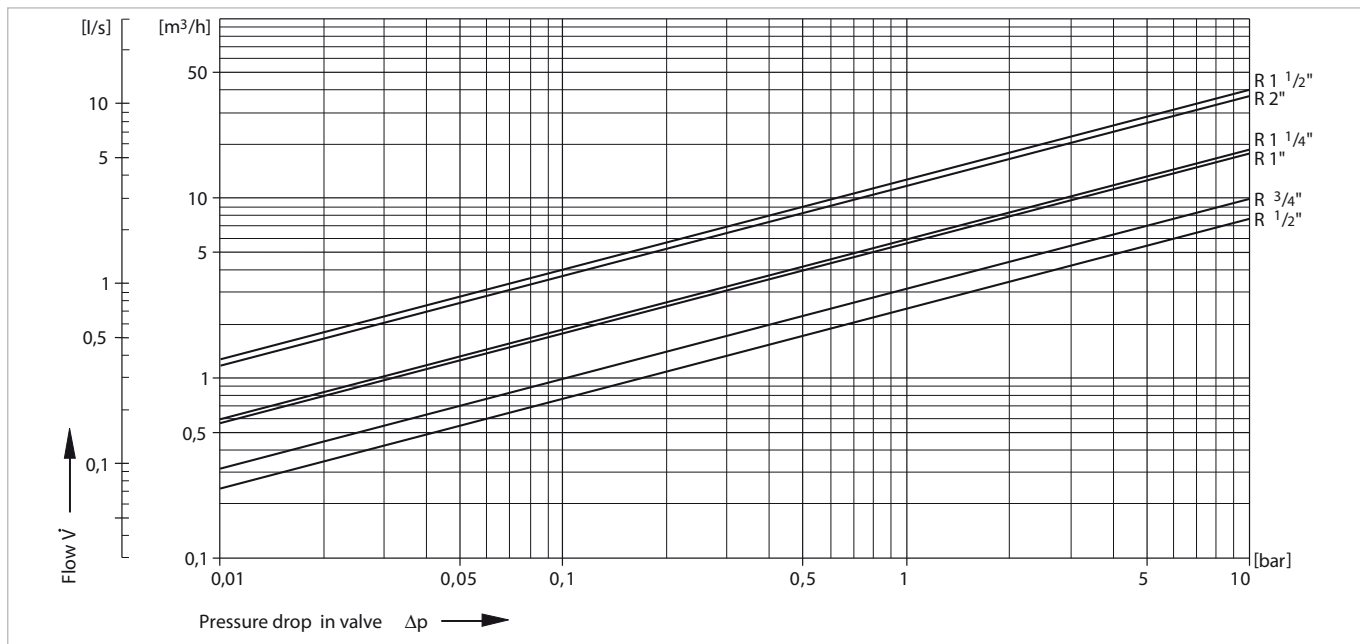
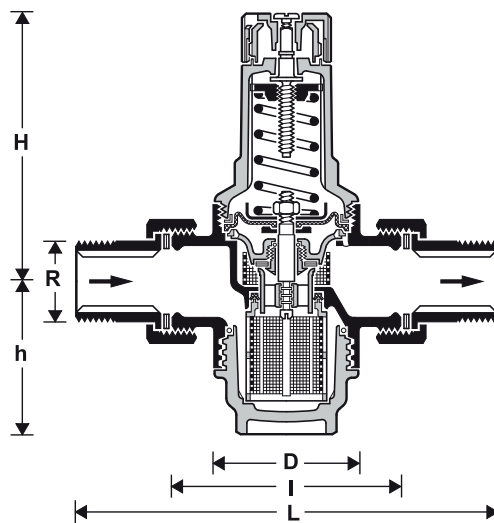


Fig. 2 Pressure drop within the valve in dependency of the flow rate and the used connection size

## DIMENSIONS

### Overview



Parameter		Values					
Connection sizes:	R	1/2"	3/4"	1"	1 1/4"	1 1/2"	2"
Nominal size diameter:	DN	15	20	25	32	40	50
Weight:	kg	0.7	0.8	1.2	1.6	2.9	3.6
Dimensions:	L	140	160	180	200	225	255
	I	80	90	100	105	130	140
	H	89	89	111	111	173	173
	h	58	58	64	64	126	126
	D	54	54	61	61	82	82

Note: All dimensions in mm unless stated otherwise.

## ORDERING INFORMATION

The following tables contain all the information you need to make an order of an item of your choice. When ordering, please always state the type, the ordering or the part number.

### Options

The valve is available in the following sizes: 1/2", 3/4", 1", 1 1/4", 1 1/2" and 2".




- standard
- not available

		D06FI-...A	D06FI-...B	D06FI-...E
Max. operating temperature medium:	40 °C	•	-	•
	70 °C	-	•	-
Filter bowl:	clear	•	-	•
	stainless steel	-	•	-
Connection type:	external threaded connection set on in- and outlet	•	•	-
	external thread on in- and outlet	-	-	•

Note: ... = space holder for connection size

Note: Ordering number example for 1 1/4" and type A valve: D06FI-11/4A

**Accessories**

	Description	Dimension	Part No.
	<b>M07M Pressure gauge</b>		
	Housing diameter 63 mm, rear connection thread G 1/4"		
	Range: 0 - 4 bar		M07M-A4
	Range: 0 - 10 bar		M07M-A10
	Range: 0 - 16 bar		M07M-A16
Range: 0 - 25 bar		M07M-A25	
	<b>ZR06K Double ring wrench</b>		
	For removal of spring bonnet and filter bowl		
	<b>VST06I-A Connection set</b>		
	With stainless steel threaded connections		
		1/2"	VST06I-1/2A
		3/4"	VST06I-3/4A
		1"	VST06I-1A
		1 1/4"	VST06I-1 1/4A
		1 1/2"	VST06I-1 1/2A
	2"	VST06I-2A	

**Spare Parts**

Pressure Reducing Valve D06FI, from 2007 onwards

Overview	Description	Dimension	Part No.
	<b>1 Spring bonnet complete</b>		
		1/2" - 1"	0901515
		1" + 1 1/4"	0901516
		1 1/2" + 2"	0901518
	<b>2 Valve insert complete (without filter)</b>		
		1/2" + 3/4"	D06FI-1/2
		1" + 1/4"	D06FI-1
		1 1/2" + 2"	D06FI-11/2
	<b>3 Union seal washer (10 pcs.)</b>		
		1/2"	0901443
		3/4"	0901444
		1"	0901445
		1 1/4"	0901446
		1 1/2"	0901447
		2"	0901448
	<b>4 Blanking plug with O-ring R1/4" (5 pcs.)</b>		
		1/2" - 2"	S06K-1/4
	<b>5 Replacement filter insert</b>		
		1/2" + 3/4"	ES06F-1/2A
		1" + 1 1/4"	ES06F-1B
		1 1/2" + 2"	ES06F-11/2A
	<b>6 O-ring set (10 pcs.)</b>		
		1/2" + 3/4"	0901246
		1" + 1 1/4"	0901499
		1 1/2" + 2"	0901248
	<b>7 Clear filter bowl with O-ring</b>		
		1/2" + 3/4"	SK06T-1/2
		1" + 1 1/4"	SK06T-1B
	1 1/2" + 2"	SK06T-11/2	
<b>8 Stainless steel filter bowl with O-ring</b>			
	1/2" + 3/4"	SI06T-1/2	
	1" + 1 1/4"	SI06T-1	
	1 1/2" + 2"	SI06T-11/2	



Manufactured for and on behalf of  
 Pittway Sàrl, Z.A., La Pièce 4,  
 1180 Rolle, Switzerland  
 by its authorised representative  
 Ademco 1 GmbH

For more information  
[homecomfort.resideo.com/europe](http://homecomfort.resideo.com/europe)  
 Ademco 1 GmbH, Hardhofweg 40,  
 74821 MOSBACH, GERMANY  
 Phone: +49 6261 810  
 Fax: +49 6261 81309



Strandvejen 42 ♦ Saksild ♦ 8300 Odder  
 86 62 63 64 ♦ [www.automatikcentret.dk](http://www.automatikcentret.dk)  
[info@automatikcentret.dk](mailto:info@automatikcentret.dk)