

Pipe Interrupters A1/DC and A2/DB

We offer a wide range of standard pipe interrupters in the dimensions 3/8" to 3/4" as well as bespoke items made according to customer specifications. All pipe interrupters are DVGW-approved.

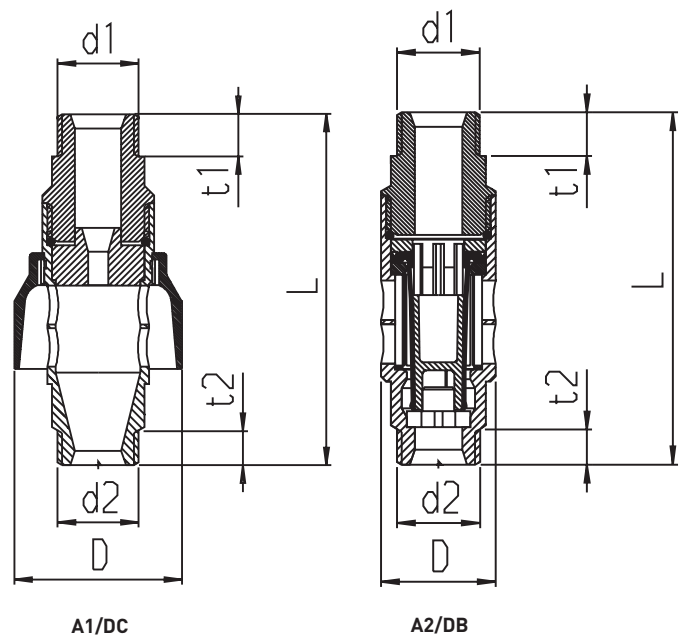
- Stainless steel body
- Safety valve according to DIN EN 1717
- Easy to install
- A2 - for category 1 - 4 fluids
- A1 - only safety device that can be used for category 5 fluids



A1/DC

Dimension	3/8"	1/2" Small	1/2"	3/4"
Length L (mm)	83.5	83	91	88
Connecting thread d1/d2 (inch)	3/8	1/2"	1/2"	3/4"
Length of thread t1 (mm)	9	11	11	12
Length of thread t2 (mm)	7	10	9	10
Diameter D	30	30	43.5	43.5
Nominal pressure (bar)	10	10	10	10
Maximum Temperature (°C)	65	65	65	65
Flow rate (m3/h)	0.32	0.32	0.95	1.02

Dimensional Drawing

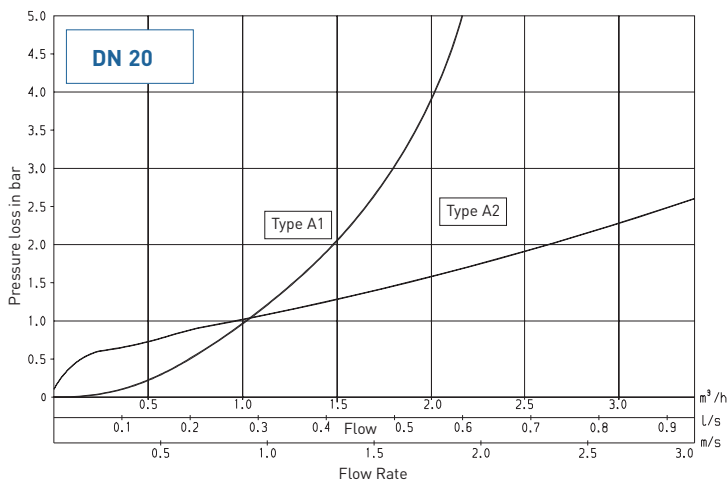
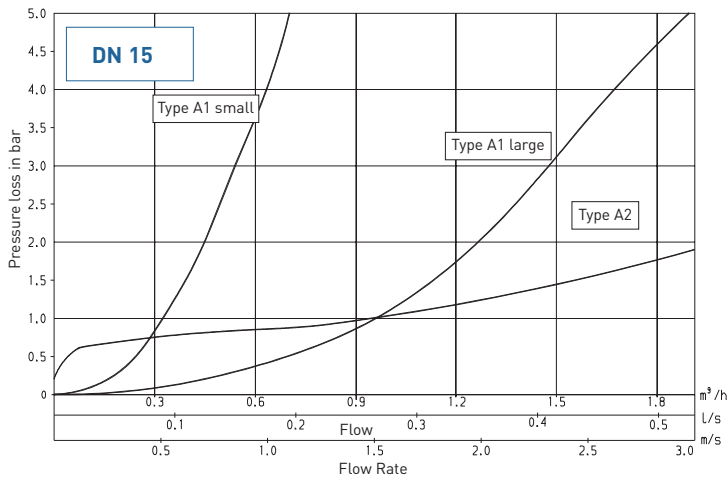
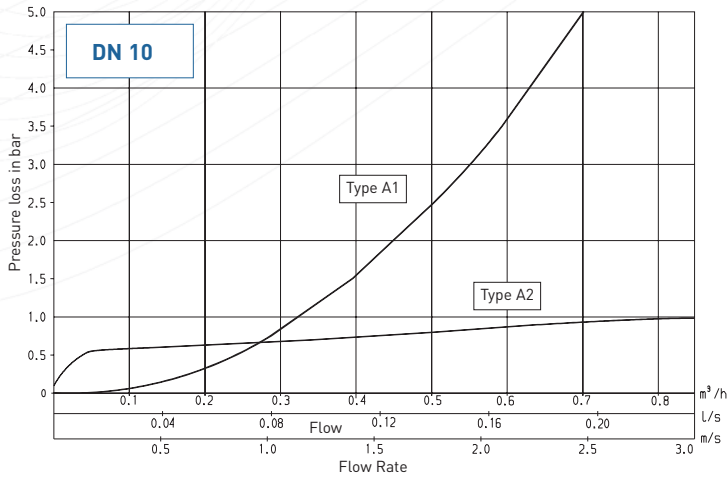


A2/DB

Dimension	Inlet: Male Thread			Inlet: Female Thread	
	3/8"	1/2"	3/4"	1/2"	3/4"
Length L (mm)	89	89	89	82	68
Connecting thread d1/d2 (inch)	3/8"	1/2"	3/4"	1/2"	3/4"
Length of thread t1 (mm)	9	11	12	8.5	7.5
Length of thread t2 (mm)	7	9	10	9	10
Diameter D	29	29	29	29	29
Nominal pressure (bar)	10	10	10	10	10
Maximum Temperature (°C)	65	65	65	65	65
Flow rate (m3/h)	0.76	0.95	0.97	0.95	0.97

Please ensure you use the correct safety valve for your application – this is a legal requirement by the Federal Environment Agency (UBA). We will be glad to help you!

Pipe Interrupters A1/DC and A2/DB



46-48 Wilbury Way, Hitchin,
Hertfordshire SG4 0UD
UK Office
Tel: +44 (0) 1462 443 276
Fax: +44 (0) 1462 443 127
iatsales@cransbsu.com

Sales Department
Tel: +49 (0) 6938 079 1113
Fax: +44 (0) 1462 443 127
sales@ingolstadt-armaturen.de

Every effort has been made to ensure that the information contained in this publication is accurate at the time of publishing. IAT assumes no responsibility or liability for typographical errors or omissions or for any misinterpretation of the information within the publication and reserves the right to change without notice.

L_PipeInt_0415