



Braukmann BA295I



Strandvejen 42 • Saksild • 8300 Odder
86 62 63 64 • www.automatikcentret.dk
info@automatikcentret.dk

Stainless Steel Backflow Preventer

APPLICATION

Backflow preventers of this type are suitable for the protection of drinking water systems against back pressure, backflow and back syphonage.

They can be used for residential buildings, industrial and commercial purposes within the scope of their specification. Fluids up to and including liquid category 4 to EN 1717 are protected.

APPROVALS

- DVGW
- KIWA
- BELGAQUA
- SVGW

SPECIAL FEATURES

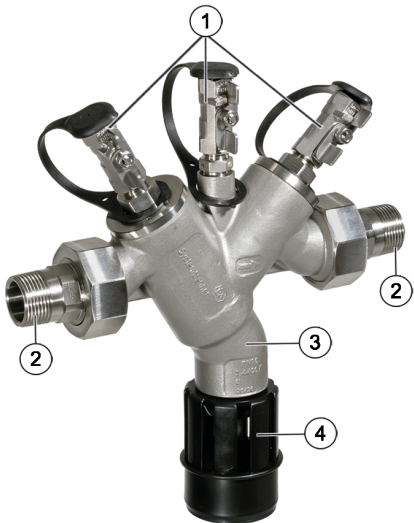
- LEAD FREE: Pb content of all materials less than 0.1 %
- Stainless steel construction
- Optimal protection of the drinking water supply system
- Integrated inlet strainer
- Inlet check valve and discharge valve are combined in one cartridge
- Minimal maintenance required, because the valve cartridge is completely replaceable
- Optimized design prevents water stagnation in normal operation
- Easy access to all internal components
- Low pressure loss and high flow rate
- ACS certified
- All materials are KTW approved
- Approved by TÜV LGA for low noise, Group 1 without limitations



TECHNICAL DATA

Media	
Medium:	Drinking water
Connections/Sizes	
Connection size:	1/2" - 2"
Discharge pipe connection:	DN50 for connection sizes 1/2" - 1" DN70 for connection sizes 1 1/4" - 2"
Pressure values	
Inlet pressure:	1.5 bar - 10 bar
Operating temperatures	
Max. operating temperature medium:	65 °C
Specifications	
Installation position:	Horizontal with discharge valve downwards

CONSTRUCTION

Overview	Components	Materials	
	1	Three ball valves for the connection of a differential pressure gauge	Stainless steel
	2	Connection fittings	Stainless steel
	3	Housing	Stainless steel
	4	Discharge connection	DN15 - 25 High-quality synthetic material DN32 - 50 Red bronze
Not depicted components:			
	Integral strainer, mesh size approx. 200 µm	Stainless steel	
	Valve cartridge with integral check valve and discharge valve	High-quality synthetic material	
	Seals	NBR, EPDM	
	Outlet check valve	High-quality synthetic material or stainless steel	

METHOD OF OPERATION

BA type backflow preventers are divided into three pressure zones. The pressure in zone ① is higher than in zone ②, which in turn is higher than in zone ③. A discharge valve is connected to zone ② which opens at the latest when the differential pressure between zones ① and ② drops to 0.14 bar. The water from zone ② discharges to atmosphere, both check valves close and therefore separate zone ② from zone ① and ③. In this way the danger of back pressure or back syphonage into the supply network is prevented. The pipework connection is interrupted and the drinking water network is protected.

TRANSPORTATION AND STORAGE

Keep parts in their original packaging and unpack them shortly before use.

The following parameters apply during transportation and storage:

Parameter	Value
Environment:	clean, dry and dust free
Min. ambient temperature:	5 °C
Max. ambient temperature:	55 °C
Min. ambient relative humidity:	25 % *
Max. ambient relative humidity:	85 % *

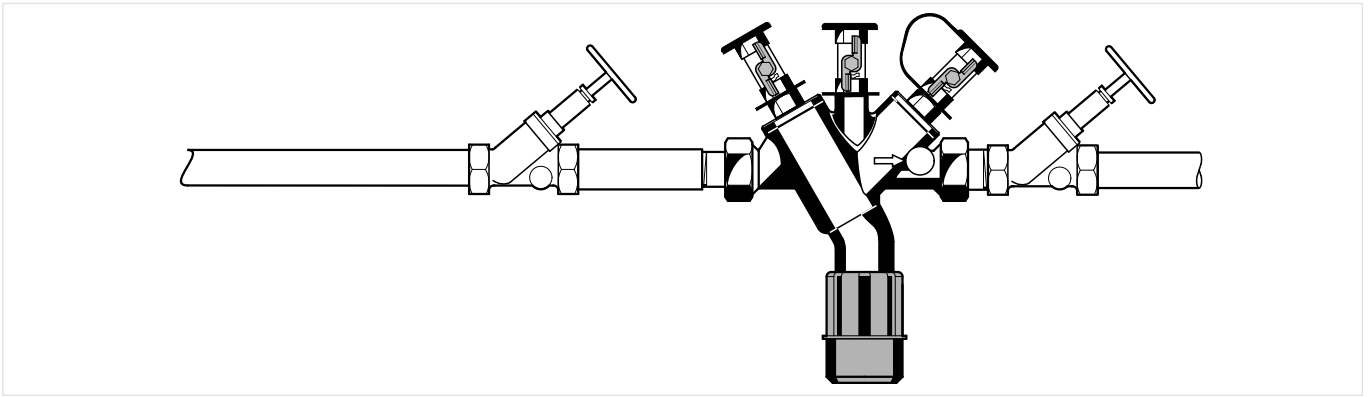
*non condensing

INSTALLATION GUIDELINES

Setup requirements

- Install shut-off valves before and after backflow preventer
- Install in horizontal pipework with the discharge valve downwards
- Ensure good access
 - Simplifies maintenance and inspection
- Backflow preventers of this type have an integral strainer which protects the device from the ingress of dirt
- Do not install in places where flooding can occur
- The installation environment should be protected against frost and ventilated well
- Install discharge pipework which has adequate capacity
- In order to avoid flooding, it is recommended to arrange a permanent, professionally dimensioned wastewater connection
- These armatures need to be maintained regularly

Installation Example



TECHNICAL CHARACTERISTICS

Pressure drop characteristics

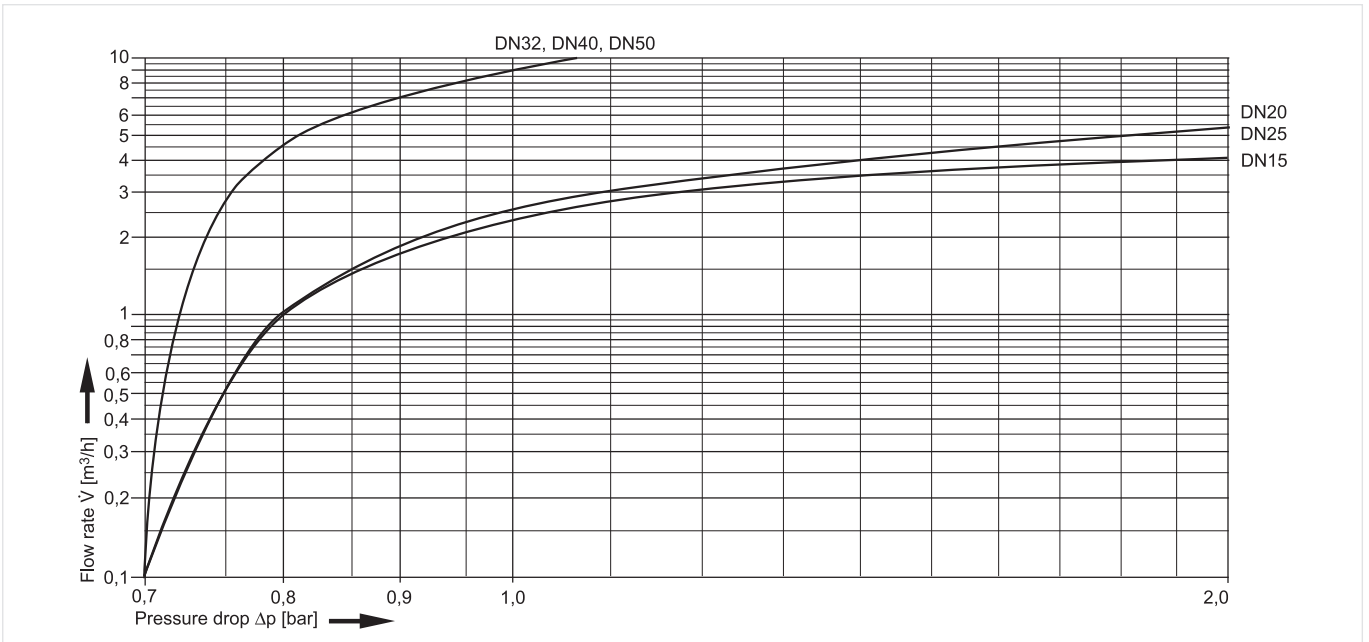
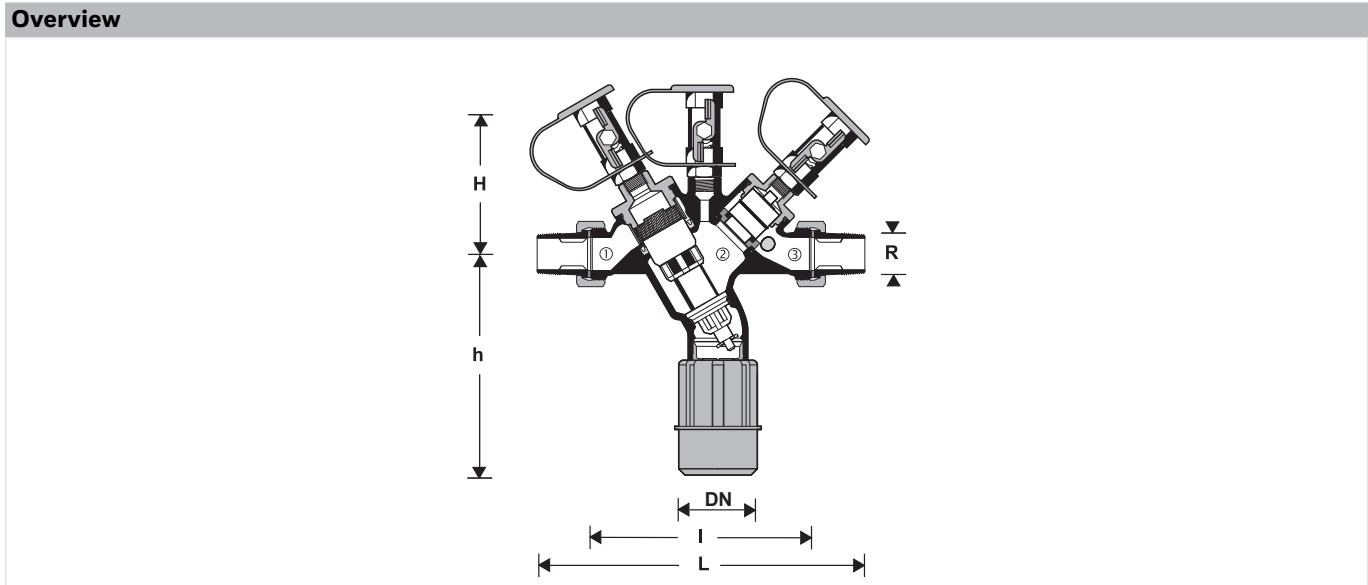


Fig. 1 Pressure drop within the valve in dependency of the flow rate and the used connection size

DIMENSIONS



Parameter		Values					
Connection size: (with connection set)	R	1/2"	3/4"	1"	1 1/4"	1 1/2"	2"
Nominal size: (without connection set)	R _{BA}	1"			2"		
Nominal size diameter:	DN	50	50	50	70	70	70
Weight:	kg	1.6			5.0		
Dimensions:	L	225	225	225	327	348	348
	I	146	146	146	231	231	231
	H	99	99	99	153	153	153
	h	137	137	137	172	172	172
DVGW registration number:	NW-6305 BN 0290						

Note: All dimensions in mm unless stated otherwise.

Note: 1 to 3 see chapter Method of operation

ORDERING INFORMATION

The following tables contain all the information you need to make an order of an item of your choice. When ordering, please always state the type, the ordering or the part number.

Options

The backflow preventer is available in the following sizes: 1/2", 3/4", 1", 1 1/4" 1 1/2" and 2".


- standard
- not available

		BA295I-...A
Connection type:	Standard version with threaded male connections	•

Note: ... = space holder for connection size

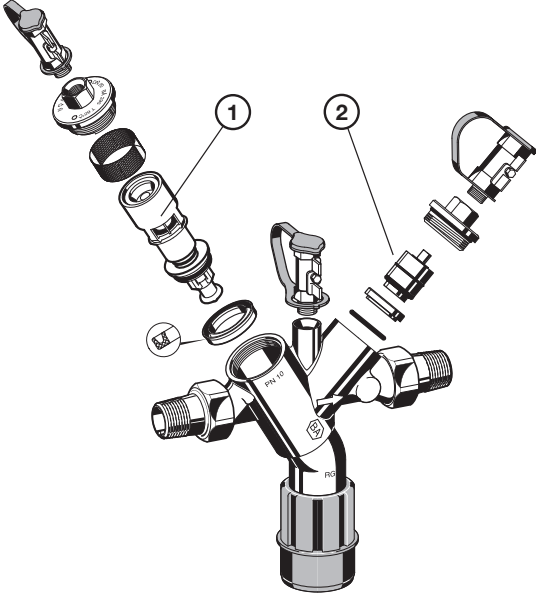
Note: Ordering number example for 1" and type A valve: BA295I-1A

Accessories

	Description	Dimension	Part No.
	TKA295 Test kit Analogue pressure measuring device with differential pressure display. With case and accessories, ideal for inspection and maintenance of backflow preventer type BA.		
			TKA295

Spare Parts

Backflow preventer BA295I, from 2006 onwards

Overview	Description	Dimension	Part No.
	1 Cartridge insert complete		
		1/2" - 1"	KE295I-1/2
		1 1/4" - 2"	KE295I-1 1/4
	2 Check valve insert complete		
		1/2" - 1"	RV295I-1/2
		1 1/4" - 2"	RV295I-1 1/4



Manufactured for and on behalf of
 Pittway Sàrl, Z.A., La Pièce 4,
 1180 Rolle, Switzerland

For more information
homecomfort.resideo.com/europe

Ademco 1 GmbH, Hardhofweg 40,
 74821 MOSBACH, GERMANY

Phone: +49 6261 810
 Fax: +49 6261 81309



Strandvejen 42 • Saksild • 8300 Odder
 86 62 63 64 • www.automatikcentret.dk
info@automatikcentret.dk