



Braukmann RV260-LFA



Strandvejen 42 • Saksild • 8300 Odder
86 62 63 64 • www.automatikcentret.dk
info@automatikcentret.dk

Lead-free controllable anti-pollution check valve EA type

Add-on for pressure reducing valves and filters

APPLICATION

Check valves of this type are particularly suitable for integral use with pipeline appliances such as water meters. Check valves are safety devices for independent prevention of water backflow, for example from drinking water appliances back into the central water supply system.

They can also be used for industrial, commercial and similar systems where back pressure, backflow and back siphonage must be prevented.

The classifications of appliances to meet these requirements are specified in EN 1717.

APPROVALS

- SINTEF
- VA (ETA)
- DVGW (internal check valve)

SPECIAL FEATURES

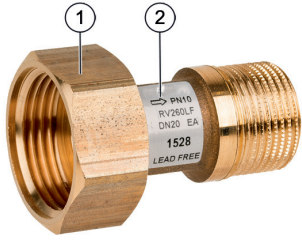
- Lead-free material
- Universal application
- Easy installation
- Quiet operation
- Creates no shock pressure loadings
- Suitable for installation in any position
- Low pressure loss
- All materials are UBA conform



TECHNICAL DATA

Media	
Medium:	Drinking water
Connections/Sizes	
Connection size:	Male threaded union R $\frac{1}{2}$ " - R2" Female threaded union G $\frac{3}{4}$ " - G2 $\frac{1}{2}$ "
Pressure values	
Opening pressure:	approx. 0.03 bar
Max. inlet pressure:	10.0 bar
Operating temperatures	
Max. operating temperature medium:	5 - 40 °C
Specifications	
Liquid category:	2 (no hazardous materials)

CONSTRUCTION

Overview	Components	Materials
	1 Union nut with internal thread	Brass
	2 Housing	Lead-free brass
	Not depicted components:	
	Check valve insert	High grade synthetic material check valve cartridge
	Test plug with seal ring	Lead-free brass
Sealing elements	EPDM and cooper	

METHOD OF OPERATION

Spring loaded check valves have a moving seal disc which is lifted off the seat by a greater or lesser amount depending on the flow rate through the valve. If the flow falls towards zero, then the spring pushes the disc back onto the seat and seals the waterway.

To ensure continuing correct function it is recommended that check valves be regularly checked and maintained (as specified in EN 1717).

TRANSPORTATION AND STORAGE

Keep parts in their original packaging and unpack them shortly before use.

The following parameters apply during transportation and storage:

Parameter	Value
Environment:	clean, dry and dust free
Min. ambient temperature:	5 °C
Max. ambient temperature:	55 °C
Min. ambient relative humidity:	25 % *
Max. ambient relative humidity:	85 % *

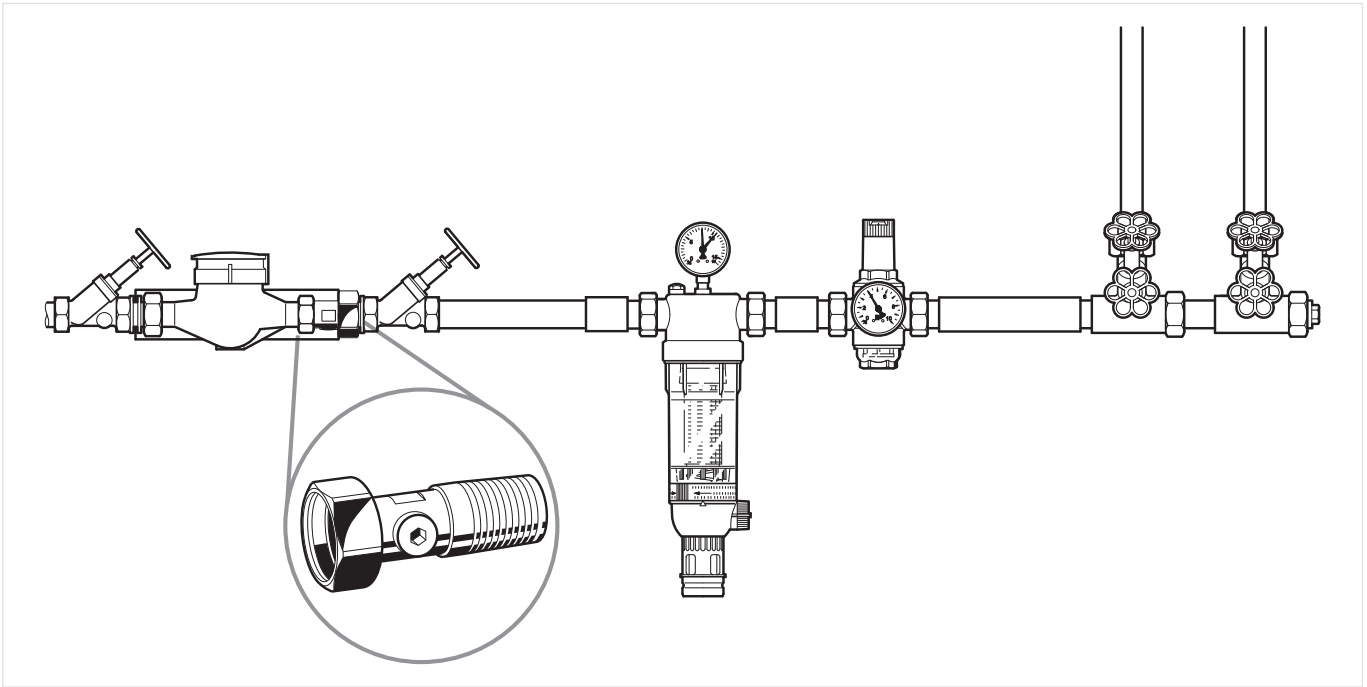
*non condensing

INSTALLATION GUIDELINES

Setup requirements

- Install in horizontal or vertical pipework
 - The horizontal position with test and drain plug downwards is best for draining
- Install shut-off valves
 - Shut-off valves provide optimal serviceability
- Ensure good access
 - Simplifies maintenance and inspection

Installation Example



TECHNICAL CHARACTERISTICS

kvs-Values

Connection sizes:	15	20	25	32	40	50
k _{VS} -value (m ³ /h):	6.0	10.0	15.0	28.0	41.0	70.0

Pressure drop characteristics

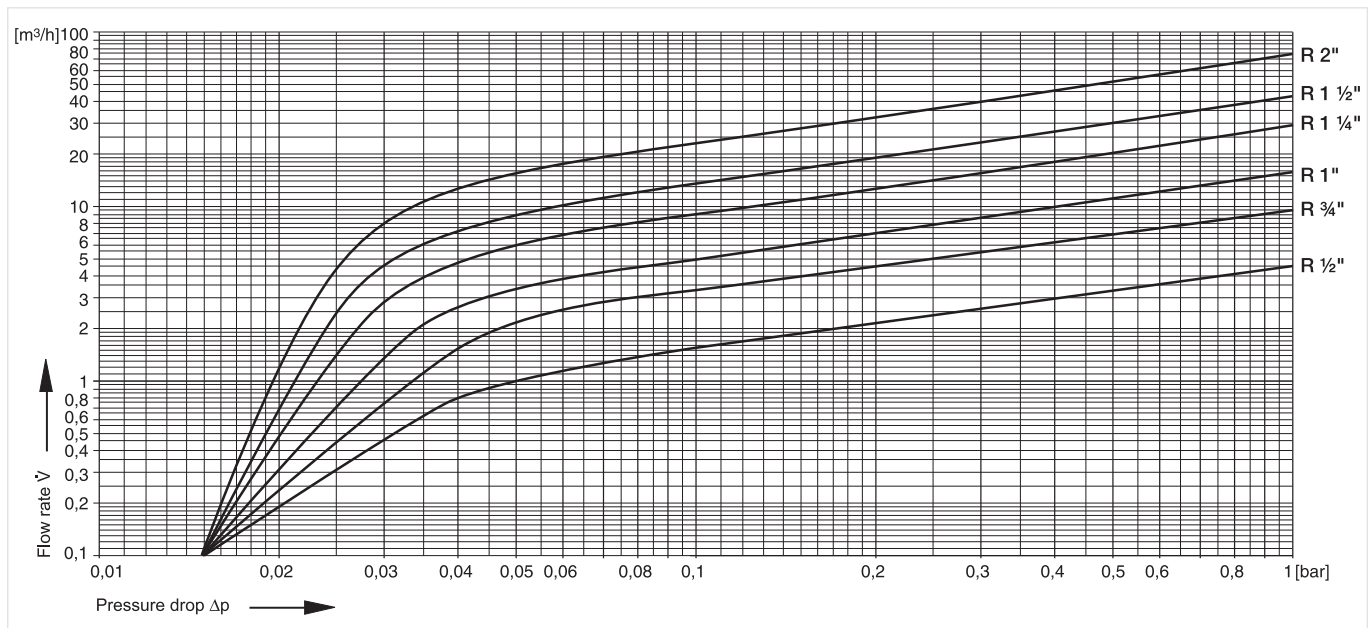
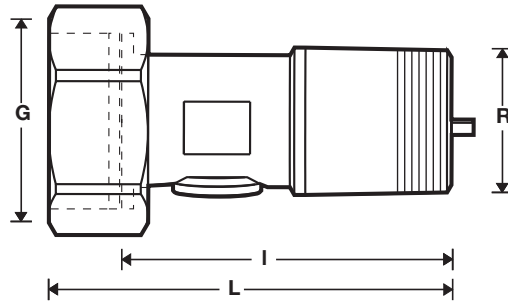


Fig. 1 Pressure drop within the valve in dependency of the flow rate and the used connection size

DIMENSIONS

Overview



Parameter		Values					
Connection size:	R	1/2"	3/4"	1"	1 1/4"	1 1/2"	2"
Nominal size diameter:	G	3/4"	1"	1 1/4"	1 1/2"	2"	2 1/2"
Test and drain plug:	R	1/8"	1/4"	1/4"	1/4"	1/4"	1/4"
Weight:	kg	0.2	0.3	0.4	0.7	1.0	1.3
Dimensions:	L	48	61	72.5	86.5	98.5	115
	l	40	50	60	72.5	85	100
Nominal flow rate at $\Delta p = 0.15$ bar	m ³ /h	1.8	3.8	5.8	10.8	15.9	27.1
SINTEF:	Product certificate 3139						
VA:	1.55/19260						
DVGW (internal check valve):	NW – 6312 AS2269						

Note: All dimensions in mm unless stated otherwise.

ORDERING INFORMATION

The following tables contain all the information you need to make an order of an item of your choice. When ordering, please always state the type, the ordering or the part number.

Options

The valve is available in the following sizes: 1/2", 3/4", 1", 1 1/4" 1 1/2" and 2".

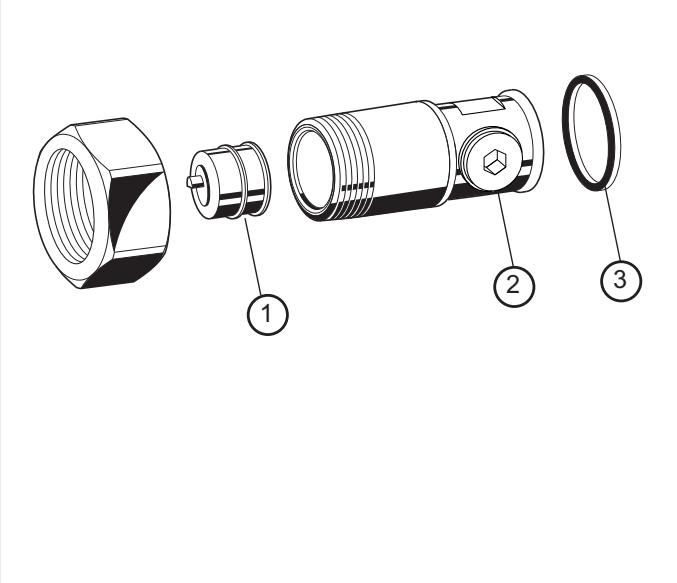
		RV260-...LFA
Connection type:	external threaded connection set on in- and outlet	•

Note: ... = space holder for connection size

Note: Ordering number example for 1": RV260-1LFA

Spare Parts

Check valve RV260-LFA, from 2015 onwards

Overview	Description	Dimension	Part No.
	1 Check valve		
		1/2"	2166200
		3/4"	2110200
		1"	2164400
		1 1/4"	2164500
		1 1/2"	2164600
		2"	2164700
	2 Plug (10 pcs.)		
		1/2"	SO6LFA-1/8
		3/4" - 2"	SO6LFA-1/4
	3 Union seal washer (10 pcs.)		
		1/2"	0901443
		3/4"	0901444
		1"	0901445
		1 1/4"	0901446
		1 1/2"	0901447
	2"	0901448	



Manufactured for
and on behalf of
Pittway Sàrl, Z.A., La Pièce 4,
1180 Rolle, Switzerland
by its authorised representative
Ademco 1 GmbH

For more information
homecomfort.resideo.com/europe

Ademco 1 GmbH, Hardhofweg 40,
74821 MOSBACH, GERMANY

Phone: +49 6261 810
Fax: +49 6261 81309



Strandvejen 42 ♦ Saksild ♦ 8300 Odder
86 62 63 64 ♦ www.automatikcentret.dk

info@automatikcentret.dk