



## T100R/T100RS

Thermostats with remote sensor for hot water units

### APPLICATION

A Radiator Thermostat is installed onto a Thermostatic Radiator Valve Body (TRV body). The combination of both, the Thermostatic Radiator Valve (TRV), controls the room temperature by adjusting the flow of hot water through a radiator.

TRVs are installed in water-based heating systems on the supply or, less commonly on the return connection of radiators.

Honeywell Home radiator thermostats with Honeywell Home (HW) M30 x 1.5 connection are suitable for all TRV body and radiator inserts with M30 x 1.5 connection and 11.5 mm closing dimension.

### FEATURES

- Thermostat body with low thermal conductivity
- High control accuracy
- Over temperature protection
- Liquid-filled sensing element
- T100R with immersion pocket for sensor
- Replacement of T100R thermostat can be carried out without draining the system
- T100RS is installed with rapid-response sensor directly immersed in the heating medium
- T100R1004 and T100R1012 with contact sensor

### SPECIFICATIONS

Thermostat connection:	M30 x 1.5
Max. flow temperature:	120 °C (248 °F)
Max. operating pressure:	10 bar (145 psi)
Max. differential pressure:	1.2 bar (17.4 psi)
Time constant:	10 s (T100R) 5 s (T100RS)
Control range:	Types AA, DA and 1004: 10 - 50 °C (50 - 122 °F) Types AB, DB and 1012: 30 - 70 °C (86 - 158 °F)
Capillary tube length:	2 m



### DESIGN

The radiator thermostat consists of:

- External liquid-filled sensor with capillary tube
  - T100R with additional immersion pocket
  - T100RS with screw-in sensor
  - T100R10.. with contact sensor
- Handwheel with socket
- Spindle assembly
- Connection nut

### MATERIALS

- Handwheel made of white plastic, white to RAL9016
- Socket made of black plastic
- Support cage and spindle assembly made of plastic
- Connection nut made of nickel-plated brass
- Immersion pocket made of nickel-plated brass

## FUNCTION

Thermostats of this type reliably control the temperature in a hot water generator according to the setting and without external energy source. The sensor expands or contracts

according to the temperature and the movement of the sensor in turn opens or closes the aperture in the valve body through which water flows to the hot water generator.

## DIMENSIONS

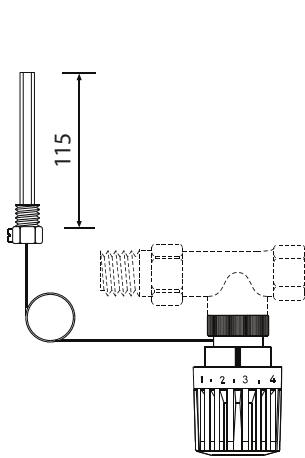


Fig. 1. T100R

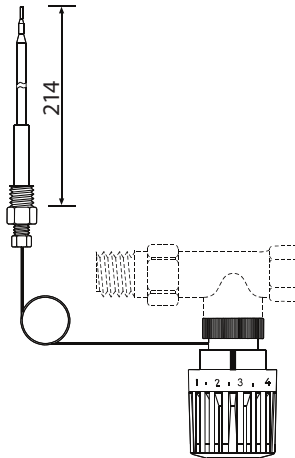


Fig. 2. T100RS

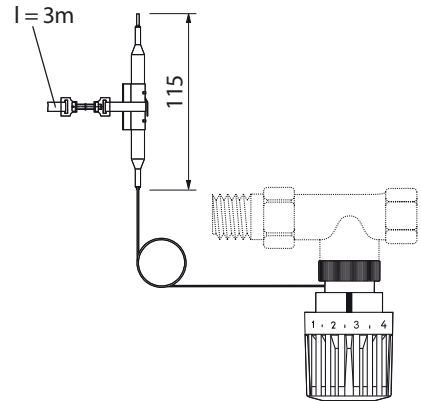


Fig. 3. T1001004/1012


## OPTIONS

T100R-AA	With R 1/2" immersion pocket
T100R-AA0H	Without immersion pocket
T100R-AB	With R 1/2" immersion pocket
T100RS-DA	With R 1/2" screw-in sensor
T100RS-DB	With R 1/2" screw-in sensor
T100R1004	With contact sensor, strap length 3 m
T100R1012	With contact sensor, strap length 3 m

## PLEASE NOTE:

- To avoid stone deposit and corrosion the composition of the medium should conform with VDI-Guideline 2035
- Additives have to be suitable for EPDM sealings
- System has to be flushed thoroughly before initial operation with all valves fully open
- Any complaints or costs resulting from non-compliance with above rules will not be accepted by Honeywell Home
- Please contact us if you should have any special requirements or needs

## ACCESSORIES

	Description	Dimension	Part No.
	<b>VA8210A</b>	<b>Special tool for assembly of radiator thermostats</b>	
			VA8210A001

## ORDERING INFORMATION

Type	Temperature °C (°F)									
	10 (50)	13 (55)	17 (63)	20 (68)	23 (73)	27 (81)	30 (86)	33 (91)	37 (99)	40 (104)
T100R-AA	0	1	2	3	4	5	6	7	8	9
T100R-AA0H	0	1	2	3	4	5	6	7	8	9
T100R-AB							0	1	2	3
T100RS-DA	0	1	2	3	4	5	6	7	8	9
T100RS-DB							0	1	2	3
T100R1004	0	1	2	3	4	5	6	7	8	9
T100R1012							0	1	2	3

Type	Temperature °C (°F)								
	43 (109)	47 (117)	50 (122)	53 (127)	57 (135)	60 (140)	63 (145)	67 (153)	70 (158)
T100R-AA	10	11	12						
T100R-AA0H	10	11	12						
T100R-AB	4	5	6	7	8	9	10	11	12
T100RS-DA	10	11	12						
T100RS-DB	4	5	6	7	8	9	10	11	12
T100R1004	10	11	12						
T100R1012	4	5	6	7	8	9	10	11	12

### For more information

[homecomfort.resideo.com/europe](http://homecomfort.resideo.com/europe)



Ademco 1 GmbH  
Hardhofweg 40  
74821 MOSBACH  
GERMANY  
Phone: +49 6261 810  
Fax: +49 6261 81309

Manufactured for and on behalf of the  
Pittway Sàrl, La Pièce 4, 1180 Rolle, Switzerland  
by its Authorised Representative Ademco 1 GmbH  
EN0H-2705GE25 R0520

Subject to change

© 2020 Pittway Sàrl. All rights reserved.

This document contains proprietary information of  
Pittway Sàrl and its affiliated companies and is  
protected by copyright and other international laws.  
Reproduction or improper use without specific  
written authorisation of Pittway Sàrl is strictly  
forbidden. The Honeywell Home trademark is used  
under license from Honeywell International Inc.



Strandvejen 42 ♦ Saksild ♦ 8300 Odder  
86 62 63 64 ♦ [www.automatikcentret.dk](http://www.automatikcentret.dk)  
[info@automatikcentret.dk](mailto:info@automatikcentret.dk)

**Honeywell Home**